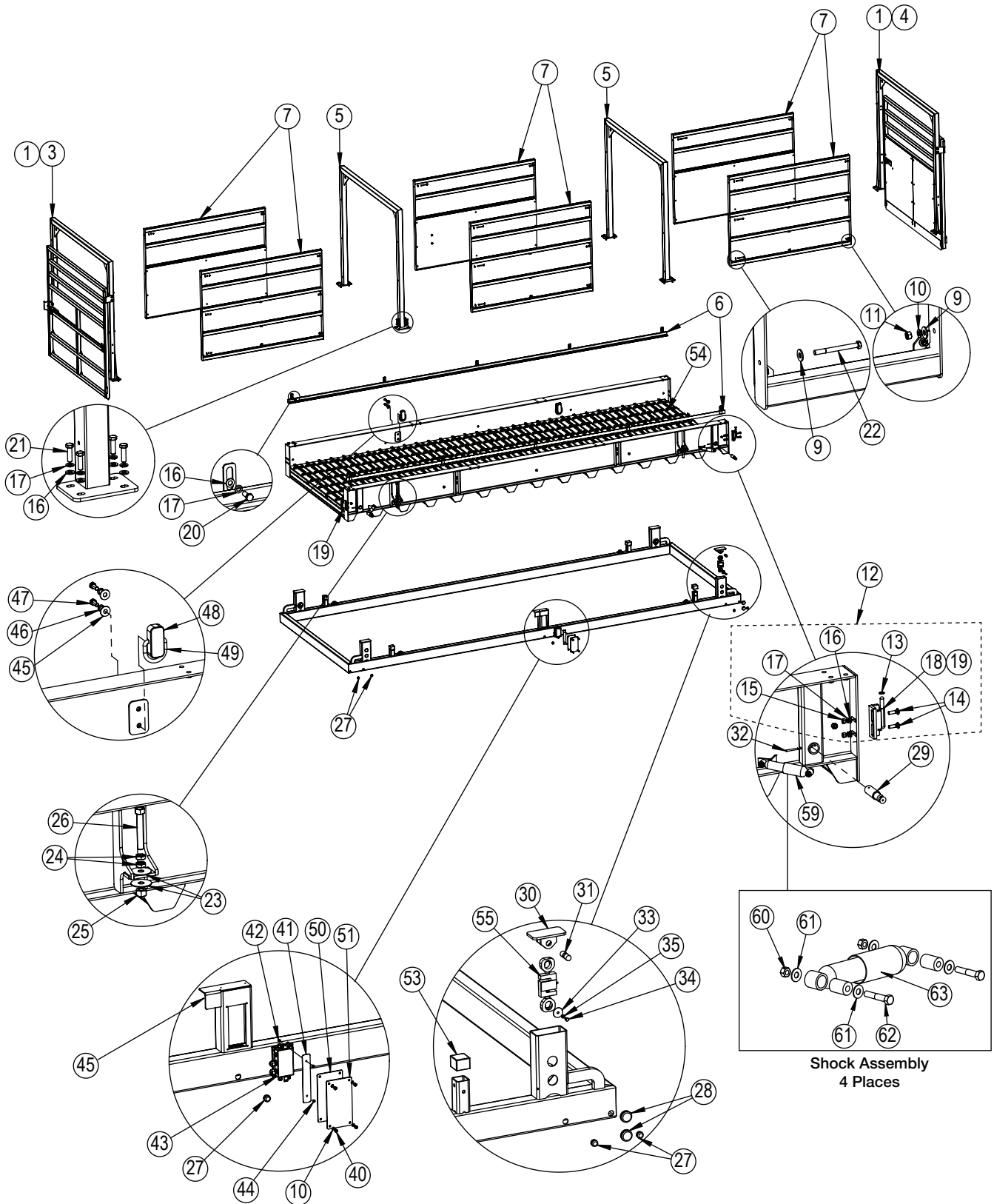


MAS-LC (2018 and older model)

Load Cell Animal Scale



LIVESTOCK
REPLACEMENT PARTS

MAS-LC (2018 and older model)

Load Cell Animal Scale



Part Number/Price

| Item # | Part # | Description |
|--------|---------|--|
| 1 | 151192 | End overhead, 7 ft |
| | 154680 | End overhead, 10 ft |
| 3 | 151190 | Gate assembly, left-hand 7 ft (includes item #1) |
| | 154682 | Gate assembly, left-hand 10 ft (includes item #1) (see MAS-LC repair parts illustration - end gates for gate parts) |
| 4 | 151194 | Gate Assembly, right-hand 7 ft (includes item #1) |
| | 154681 | Gate assembly, right-hand 10 ft (includes item #1) (see MAS-LC repair parts illustration - end gates for gate parts) |
| 5 | 151169 | Internal overhead, 7 ft |
| | 154678 | Internal overhead, 10 ft |
| 6 | 171399 | Angle, flooring hold-down (13 ft) |
| | 171400 | Angle, flooring hold-down (15 ft) |
| | 171401 | Angle, flooring hold-down (17 ft) |
| | 171402 | Angle, flooring hold-down (19 ft) |
| | 171403 | Angle, flooring hold-down (22 ft) |
| 7 | 151174 | Wall segment 18 x 7 (13 ft - qty 4 / 19 ft - qty 6) |
| | 151176 | Panel, 18 x 7 for 151174 |
| | 154095 | Wall segment (15 ft - qty 4 / 22 ft - qty 6) |
| | 154097 | Panel, 20 x 7 for 154095 |
| | 155821 | Wall segment (17 ft - qty 4) |
| | 155823 | Panel, 17 x 8 for 155821 |
| 9 | 81427 | Washer, plain 3/8 in Type A |
| 10 | 15147 | Washer, lock 1/4 in regular |
| 11 | 14641 | Nut, hex 1/4-20 NC |
| 12 | 174793 | Hinge, right-hand, w/ hardware (including items 13-18) |
| | 174794 | Hinge, left-hand, w/ hardware (including items 13-17 and 19) |
| 13 | 163215 | Hinge bushing |
| 14 | 174712 | Bolt, carriage 1/2-13 NC |
| 15 | 14672 | Nut, 1/2-13 NC hex steel |
| 16 | 15173 | Washer, plain 1/2 in Type B |
| 17 | 15167 | Washer, lock 1/2 in regular |
| 18 | 174593 | Gate hinge, right-hand |
| 19 | 174594 | Gate hinge, left-hand |
| 20 | 15054 | Cap screw, 1/2-13 NC x 1-1/4 in, grade 8 zinc |
| 21 | 121483 | Bolt, cap 1/2-13 NC x 1 3/4 in |
| 22 | 127003 | Screw, cap hex 3/8-16 in |
| 24 | 14701 | Jam nut hex 1 in-8 1-1/2 x 35/64 steel zinc plated |
| 25 | 45853 | Nut, 1-8 NC, heavy hex |
| 26 | F1682RR | Bolt, 1-8 UNC x 6-3/4 completely threaded |
| 27 | 126788 | Plug, plastic for round 1 1/8 in |
| 28 | 126789 | Plug, plastic for round 2 in |
| 29 | 153941 | Lower load cell pin |
| 31 | 153940 | Upper cell pin |

| Item # | Part # | Description |
|--------|--------|--|
| 32 | 171983 | Pin, 1/4 in x 2 1/4 in slotted |
| 33 | 174640 | Retainer, lower load cell |
| 34 | 118020 | Screw, cap 5/16-18 NC x 5/8 in |
| 35 | 15154 | Washer, lock 5/16 regular |
| 40 | 127007 | Screw, cap 1/4-20 x 1/2 in |
| 41 | 131885 | Mount plate, J-Box |
| 42 | 14633 | Nut, lock 10-32 NF hex |
| 43 | 92128 | J-Box, JB4SS 4-channel |
| 44 | 121129 | Screw, mach 10-32 NC |
| 45 | 158143 | Homerun cable |
| | 127261 | Connector |
| | 15730 | Dust cap |
| 50 | 126819 | Gasket, foam 1/8 in thick |
| 51 | 127740 | Cover, frame plate MAS |
| 53 | 173125 | Boot for pedestal tube |
| 54 | 151307 | Flooring, X-Lug rough 7 ft |
| | 154676 | Flooring, X-Lug rough 9 ft |
| | 166440 | Flooring, X-Plank 7 ft |
| | 166441 | Flooring, X-Plank 9 ft |
| 55 | 127673 | Load cell assembly, OBW 10,000 lb, 20 ft cable (including load cell) |
| | 167452 | Load cell assembly, OBW 10,000 lb, 40 ft cable (on load cell #1 22 x 8 and 22 x 10 only) (including load cell) |
| | 21444 | Load cell, SBM RL20000I 10,000 lb (load cell only) |
| 60 | 126992 | Nut, 3/8-16 18-8 SST |
| 61 | 15161 | Washer, plain STD 3/8 in SST |
| 62 | 22093 | Screw, cap 3/8-16 NC x 2 in hex |
| 63 | 128626 | Damper assembly |
| — | 131374 | Paint, grey beige aerosol |
| — | 88563 | Primer |

LIVESTOCK
REPLACEMENT PARTS