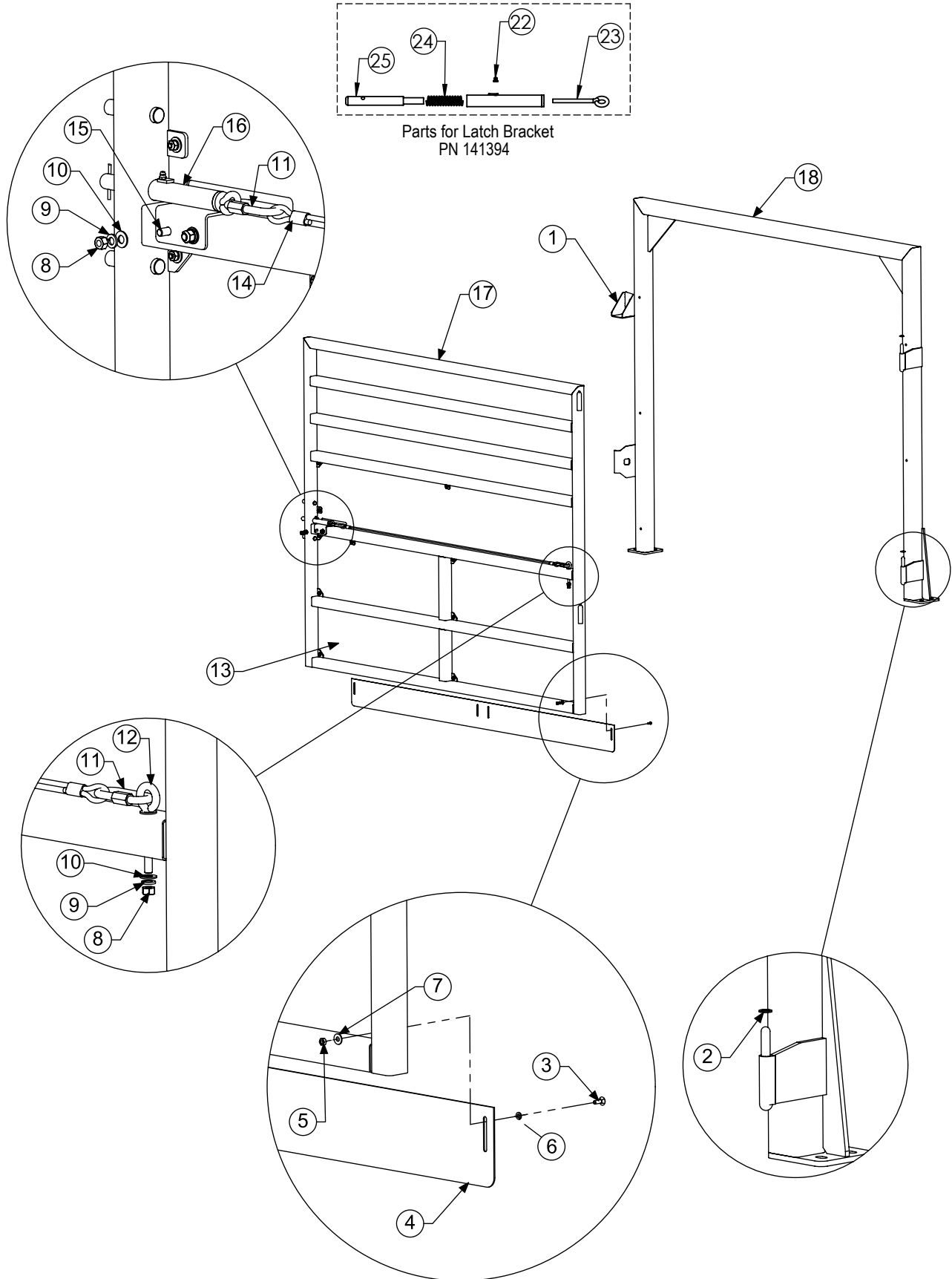


# MAS-LM

End Gates

LIVESTOCK  
REPLACEMENT PARTS





## Part Number/Price

Item #	Part #	Description
1	164363	Bracket, gate lift stop
2	151209	Washer, 0.0747 in thick
3	132917	Carriage bolt, 1/4-20 x 1 in
4	159783	Kick panel, LC and LM 7 ft
	164153	Kick panel, LC and LM 9 ft
5	14641	Nut, 1/4-20 NC hex steel
6	15147	Washer, lock 1/4 in regular
7	81427	Washer, flat 1/4 in steel
8	132684	Nut, hex 3/8-16 NC grade 5 zinc
9	15159	Washer, lock 3/8 in regular
10	21938	Washer, plain 3/8 in Type A
11	150715	Link, quick 3/8 in
12	150820	Eye bolt, 3/8-16 NC x 3 in
13	151193	Panel, gate, 7 ft, LC/LM
	154689	Panel, gate, 9 ft, LC/LM
14	150716	Cable, latch 1/4 in OD, 7 ft
	154690	Cable, latch 1/4 in OD, 9 ft
15	127013	Screw, cap hex 3/8-16 x 3 in
17	151191	Gate, left-hand no panel 7 ft
	154687	Gate, left-hand no panel 10 ft
	151195	Gate, right-hand no panel 7 ft
	154686	Gate, right-hand no panel 10 ft
18	151192	Overhead end, 7 ft
	154680	Overhead end, 10 ft
19	141394	Latch, LS/LM AG scale
22	70339	Grease zerk
23	203361	Eye bolt, SST, 5/16-18 x 4
24	131702	Spring, compression
25	203478	Latch pin

LIVESTOCK  
REPLACEMENT PARTS