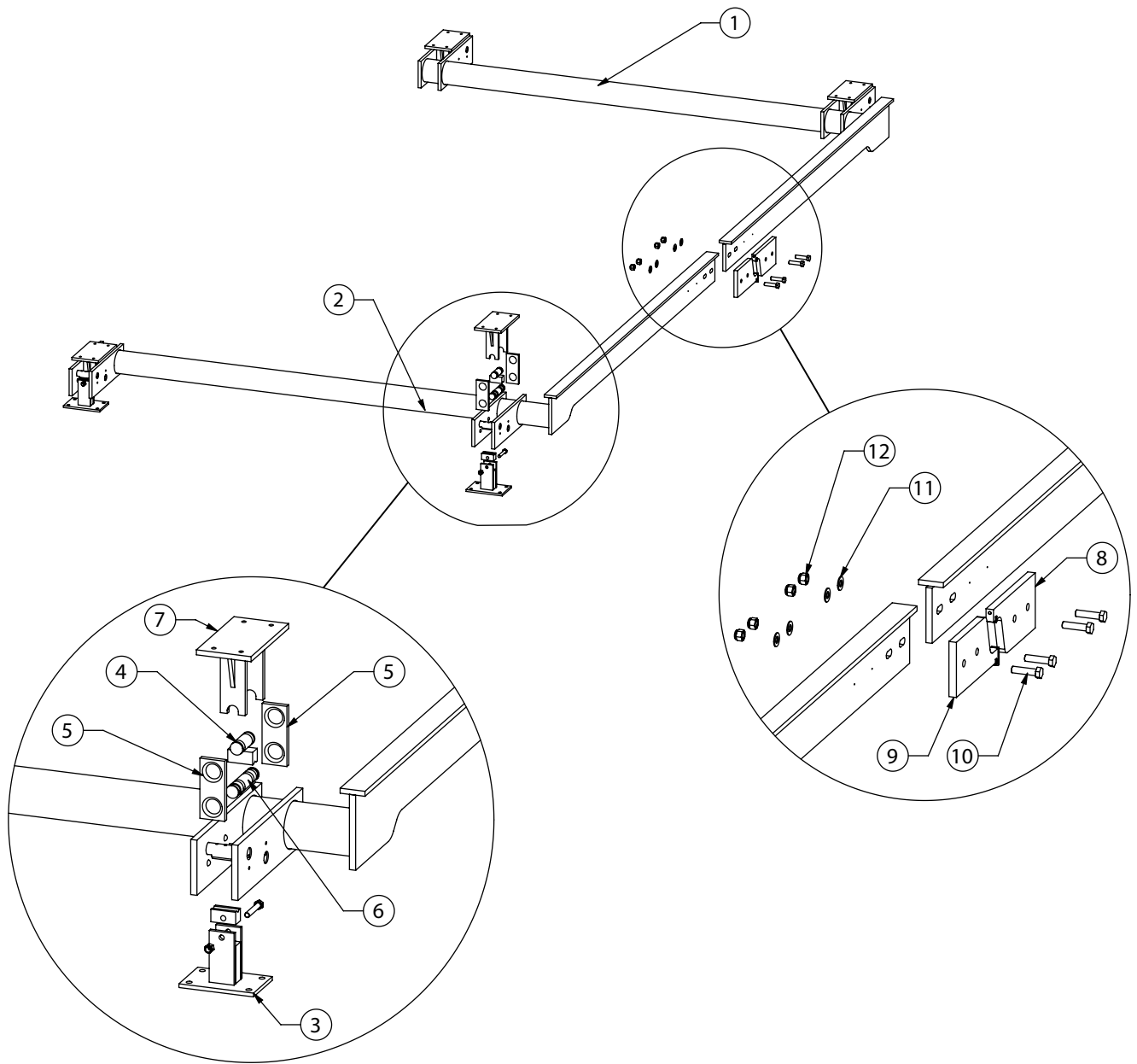


MAS-LM

Pipe Lever Assembly



LIVESTOCK
REPLACEMENT PARTS



Part Number/Price

Item #	Part #	Description
1	152994	Main lever weldment, right
2	152995	Main lever weldment, left
3	153004	Fulcrum stand assembly, LM AG
4	153011	Bearing saddle weldment, LM
5	153015	Link, suspension
6	153014	Pin, trunnion 1.25 in diameter
7	153000	Girder chair weldment, LM AG
8	39975	Right nose iron assembly, 20,000 lb
9	39972	Left nose iron assembly, 20,000 lb
10	26344	Screw, cap 5/8-11 NC x 2 1/2 in
11	15177	Washer, plain 5/8 in Type A
12	40181	Nut, lock 5/8-11 NC hex

LIVESTOCK
REPLACEMENT PARTS