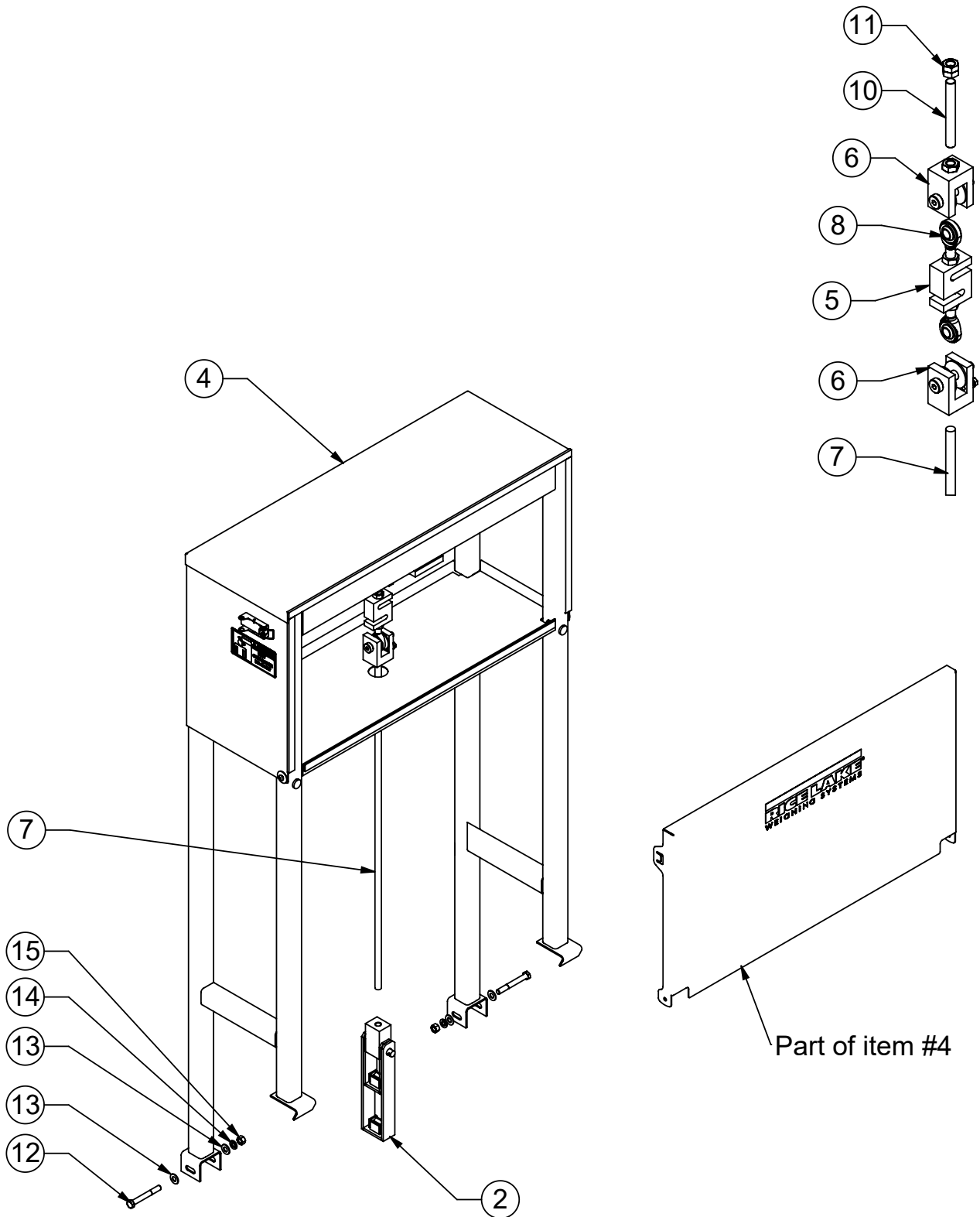


# MAS-LM

Weigh Center Assembly

LIVESTOCK  
REPLACEMENT PARTS





## Part Number/Price

Item #	Part #	Description
2	<b>39969</b>	Shackle assembly, 20,000 lb
4	<b>153249</b>	Enclosure assembly, weigh
5	<b>21440</b>	Load cell, SBM RL20000B-2,000 lb
6	<b>17787</b>	Clevis assembly, 1/2-13 NC
7	<b>153260</b>	Steelyard rod, 1/2 in diameter
8	<b>17740</b>	Rod end, 1/2-20 NF 1-1/2 in
10	<b>153261</b>	Rod, threaded 1/2-13 NC x 4 in
11	<b>14664</b>	Nut, jam 1/2-20 NF hex
12	<b>127013</b>	Screw, cap hex 3/8-16 x 3 in
13	<b>21938</b>	Washer, plain 3/8 in Type A
14	<b>15159</b>	Washer, lock 3/8 in regular
15	<b>14656</b>	Nut, 3/8-16 NC hex steel

*If printer and indicator are purchased, cable (PN 15547) needs to be purchased as well.*

LIVESTOCK  
REPLACEMENT PARTS