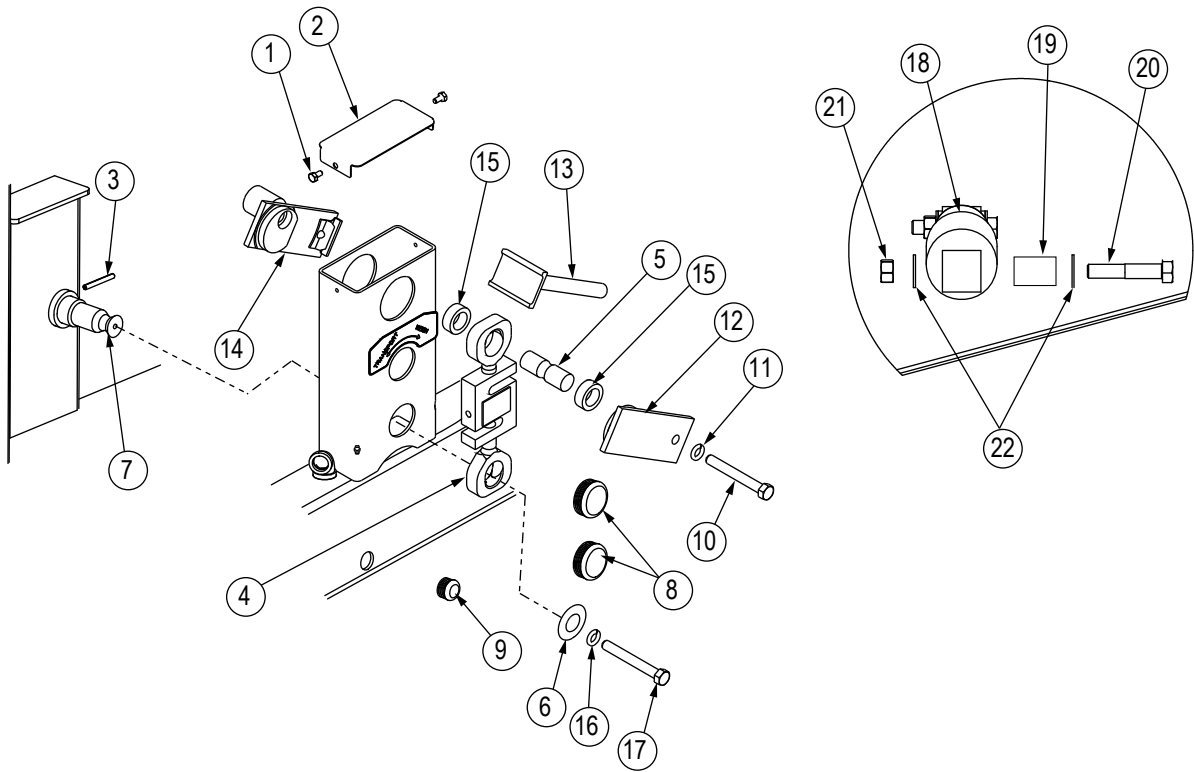
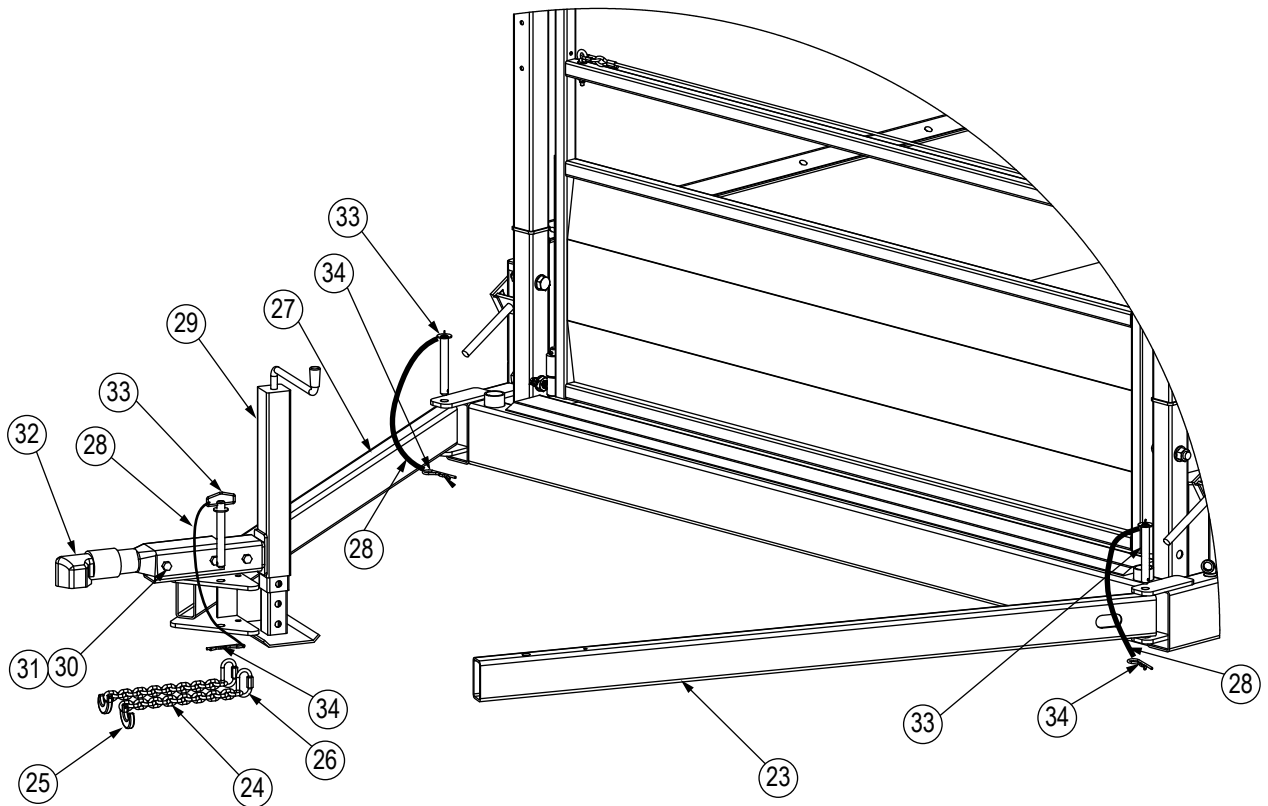


# MAS-M

## Hitch and Load Cell Stand Components



LIVESTOCK  
REPLACEMENT PARTS





### Part Number/Price

Item #	Part #	Description
1	127007	Cap screw, 1/4-20 x 1/2 in
2	127200	Cover, load cell cam stand stainless steel
3	171983	Pin spring slotted 1/4 x 2 1/4 in
4	127673	Load cell assembly, S-Type RL20000-10K w/ eyebolts installed, 20 ft cable. Used on load cell locations #2 through #4.
	167452	Load cell assembly, S-Type RL20000-10K w/ eyebolts installed, 40 ft cable. Used on load cell location #1.
5	128184	Pin, upper notched load cell
6	174640	Retainer, lower load cell
7	127177	Pin, lower notched load cell
8	126789	Plug plastic round 2 in
9	126788	Plug plastic round 1-1/8 in
10	14765	Bolt 1/2-13 NC x 4 in
11	15167	Lockwasher 1/2 in
12	131785	Cam lever without lockdown - right rear
	127676	Cam lever with lockdown - left rear
13	127732	Cam handle mask
14	131787	Cam lever with lockdown - left front
	127675	Cam lever without lockdown - right front
15	127165	Spacer upper notched pin
16	15154	Washer, lock 5/16 in regular
17	118020	Screw, cap 5/16-18 NC x 5/8 in
18	128626	Scale damper assembly w/ rubber bushings
19	126815	Bushing, rubber 7/8 OD x 3/8 ID x 1.25 in long
20	22093	Cap screw, 3/8-16 NC x 2 in hex
21	14656	Nut 3/8 in Hex stainless steel
22	15161	Flat washer 3/8 in stainless steel SAE
23	131900	Hitch tube weldment, left
24	131955	Chain assembly, grade 30 5/16 in (includes items 25 & 26)
25	126917	Clevis hook, 1/4 in chain
26	126967	Link, quick, 5/16 in
27	131896	Hitch tube, right
28	166326	Lanyard, 1/16 dia x 12 in
29	127716	Jack w/ drop leg and mount
30	14765	Bolt, 1/2-13 NC x 4 in hex head
31	14660	Nut, lock 1/2-13 NC hex
32	127715	Hitch coupler mobile MAS, 5,000 lb, 2 in ball
33	160257	Hitch pin, 3/4 in x 5 1/4 in (includes item 34)
34	160258	Lynch pin, 3/16 in x 1 1/4 in