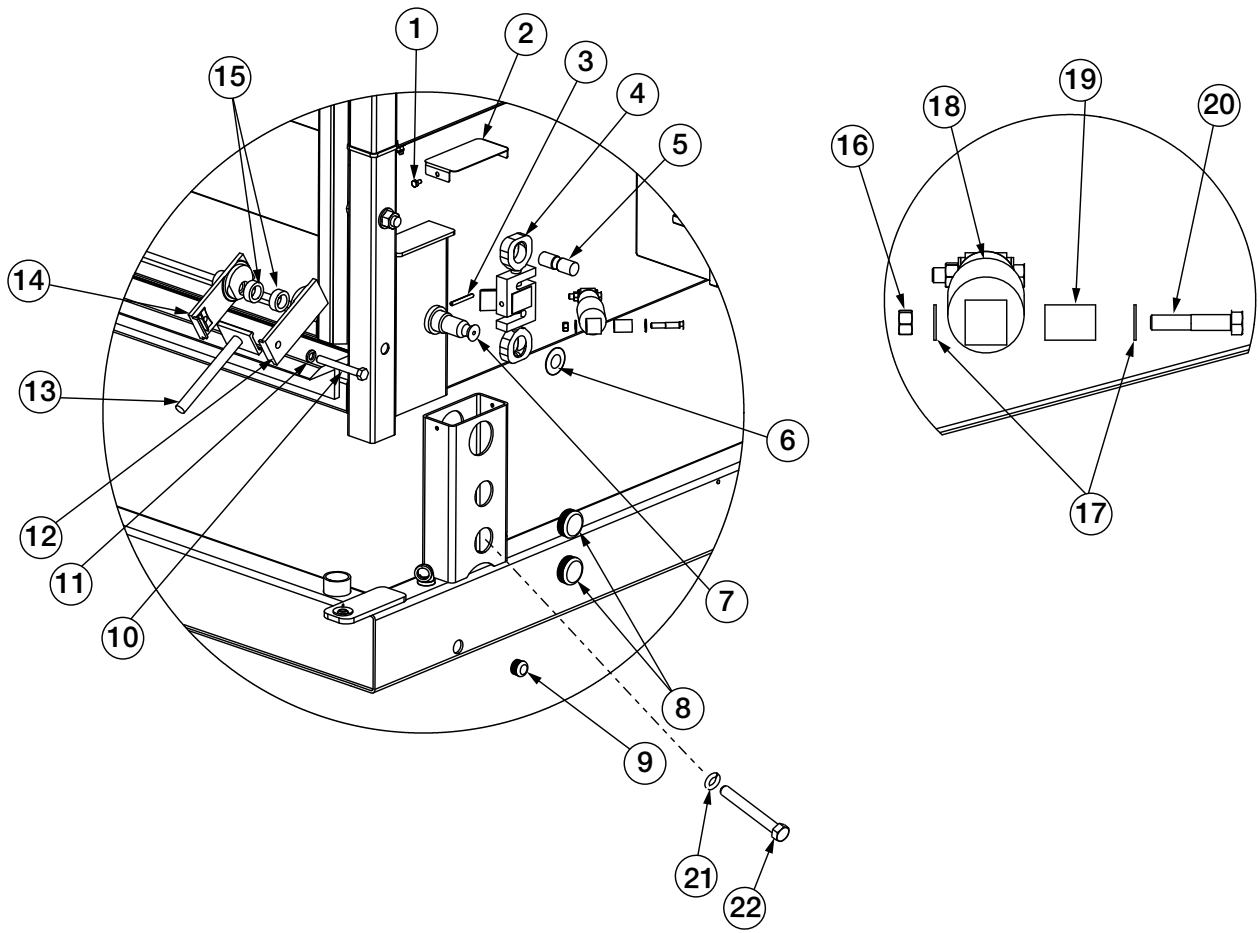


MAS-P

Load Cell Stand Components



LIVESTOCK
REPLACEMENT PARTS



Part Number/Price

Item #	Part #	Description
1	127007	Cap screw, 1/4-20 x 1/2 in
2	127200	Cover, load cell cam stand stainless steel
3	171983	Pin spring slotted 1/4 x 2-1/4 in
4	127673	Load cell S-Type 10,000 lb
5	128184	Upper notched load cell pin
6	174640	Lower load cell retainer
7	127177	Lower notched load cell pin
8	126789	Plug plastic round 2 in
9	126788	Plug plastic round 1-1/8 in
10	14765	Bolt 1/2-13 NC x 4
11	15167	Lockwasher 1/2 in
12	131785	Cam lever without lockdown - right rear
	127676	Cam lever with lockdown - left rear
13	127732	Cam handle mask
14	131787	Cam lever with lockdown - front left
	127675	Cam lever without lockdown - right left
15	127165	Spacer upper notched pin
16	14656	Nut 3/8 in stainless steel
17	15161	Flat washer 3/8 in stainless steel SAE
18	128626	Scale damper assembly w/ bushings
19	126815	Bushing, rubber 7/8 OD x 3/8 ID x 1.25 long
20	22093	Cap screw, 3/8-16 NC x 2 hex
—	127561	Scale cable female MS connector 132 in
21	15154	Washer, lock 5/16 in regular
22	118020	Screw, cap 5/16-18 NC x 5/8 in

LIVESTOCK
REPLACEMENT PARTS