

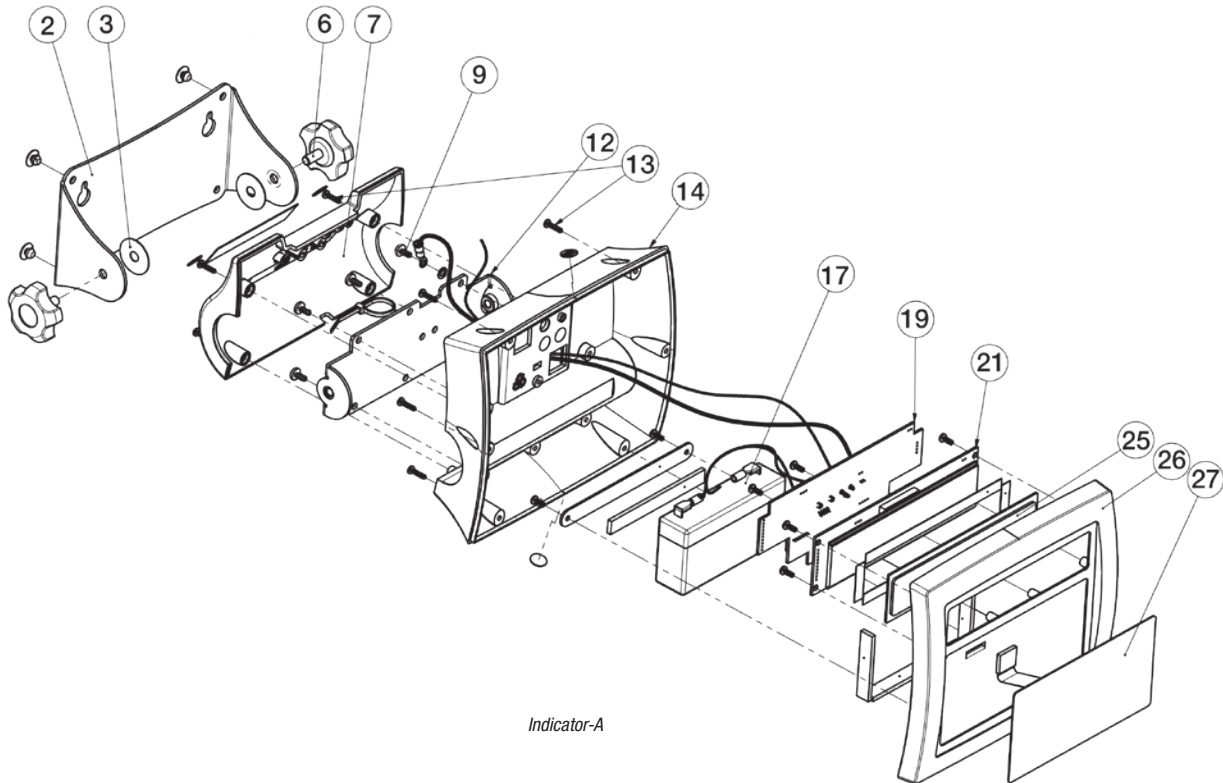
Medical Indicator, Platinum



Part Number/Price

Ref#	Part#	Description	Price
2	116382	Tilt stand	Consult
3	116384	Tilt stand washer	Consult
6	116383	Tilt stand knob	Consult
9	102519	Pan head screw	Consult
13	102519	Pan head screw	Consult
14	105378	Indicator house	Consult
17	102506	Sealed lead acid battery	Consult
19	102505	Indicator battery board	Consult
19	102505	Indicator battery board (model 140-10-7N)	Consult
21	102504	Display/CPU board	Consult
25	116385	Indicator lens	Consult
26	105379	Indicator front cover	Consult
27	102503	Indicator keypad	Consult
	114582	Jumper	Consult

(See Diagram Indicator-A)



Indicator-A