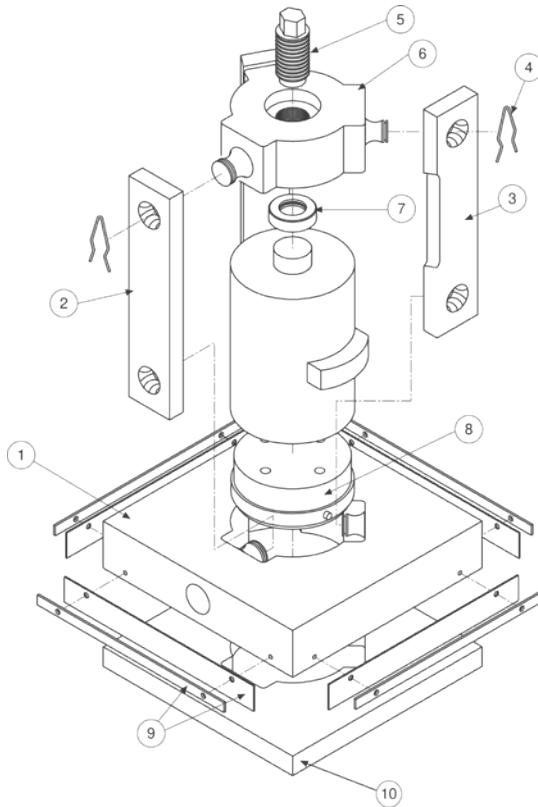


Mettler Toledo Bridgemaster Model 7500

Part Number/Price

Part#	Description	Synonym	Price
F590	Upper bearing, 2 in-12 UNF-2B x 1 1/2 in	90191	Consult
F590-1	Upper bearing, 2 in-12 UNF-2A x 2 in	90191	Consult
F591	Load pin, 2 in hex x 5 9/16 in	90190	Consult



Toledo Bridgemaster-A