

Mettler Toledo® DigiTOL® Retrofit Kit

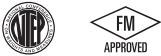
Stainless Steel, Rice Lake Weighing Systems/Flintec

RC1 Load Cells



Shown here with the JB8SP signal trim junction box.
Picture is a representation of actual product.

Load Cell Approvals



DigiTOL Retrofit Order information

Description	Part #	Price
8 mount kit, RC1-25 t (250kN) load cells, JB8SP junction box	78713	Consult
8 mount kit, RC1-25 t (250 kN) load cells, JB8SPT junction box	224897	Consult
10 mount kit, RC1-25 t (250 kN) load cells, two JB8SP junction boxes	78714	Consult
10 mount kit RC1-25 t (250 kN) load cells, JB8SPT junction box	224898	Consult
12 mount kit, RC1-25 t (250kN) load cells, JB8SP junction box	152774	Consult
12 mount kit RC1-25 t (250 kN) load cells, JB8SPT junction box	224899	Consult

Complete Kit Includes

- Eight, ten or twelve Flintec® NTEP Certified stainless steel, hermetically sealed rocker column load cells
- Upper and lowers cups
- NEMA Type 4X signal trim junction boxes with transient protection
- 100 ft of hostile environment EL147HE SURVIVOR® load cell cable
- Grounding straps (JB8SPT kits only)

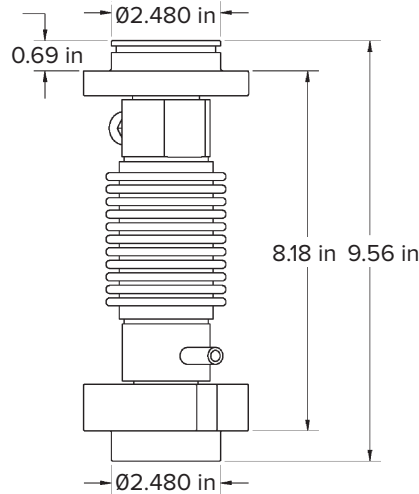
Standard Features

- Load cells are NTEP Certified 1:10,000 divisions, Class III*
- Converts existing Mettler Toledo DigiTOL scale to an analog based load cell weighing system
- One-year limited warranty

*Consult your local Weights & Measures Authorities for local Legal for Trade requirements

Applications

- Mettler Toledo DigiTOL truck scale conversion



RC1-25 t

WEIGH MODULES

Mettler Toledo® DigiTOL® Retrofit Kit

Stainless Steel, Rice Lake Weighing Systems/Flintec

RC3 Load Cells



Shown here with the JB8SP signal trim junction box
Picture is a representation of actual product

Load Cell Approvals



DigiTOL Retrofit Order information

Description	Part #	Price
8 mount kit RC3-50 t load cells, two EL304A junction boxes (truck/truck combo)	129844	Consult
8 mount kit RC3-50 t load cells, two EL304A junction boxes (truck only)	154347	Consult
8 mount kit RC3-50 t load cells, one JB8SPT junction boxes (truck/truck combo)	224900	Consult
8 mount kit RC3-50 t load cells, one JB8SPT junction boxes (truck only)	224901	Consult
10 mount kit RC3-50 t load cells, two JB8SP junction boxes (truck/truck combo)	111367	Consult
10 mount kit RC3-50 t load cells, three EL304A junction boxes (truck only)	154348	Consult
10 mount kit RC3-50 t load cells, two JB8SPT junction boxes (truck/truck combo)	224902	Consult
10 mount kit RC3-50 t load cells, two JB8SPT junction boxes (truck only)	224903	Consult
12 mount kit RC3-50 t load cells, three EL304A junction boxes (truck only)	154349	Consult
12 mount kit RC3-50 t load cells, two JB8SPT junction boxes (truck only)	224904	Consult

Complete Kit Includes

- Eight, ten or twelve Flintec® NTEP Certified stainless steel, hermetically sealed rocker column load cells
- Upper and lowers cups
- NEMA Type 4X signal trim junction boxes with transient protection
- 100 ft of hostile environment EL147HE SURVIVOR® load cell cable
- Grounding straps (JB8SPT kits only)

Standard Features

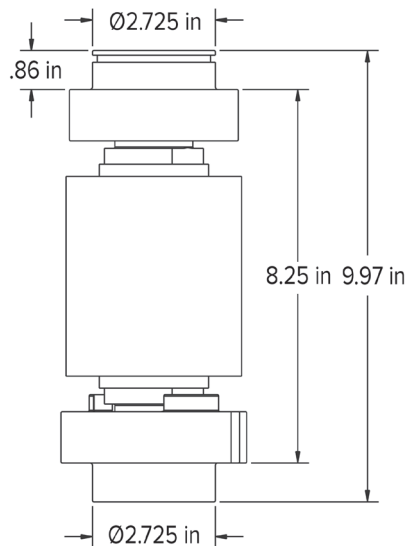
- Load cells are NTEP Certified 1:10,000 divisions, Class IIII*
- Converts existing Mettler Toledo DigiTOL scale to an analog based load cell weighing system
- One-year limited warranty

*Consult your local Weights & Measures Authorities for local Legal for Trade requirements

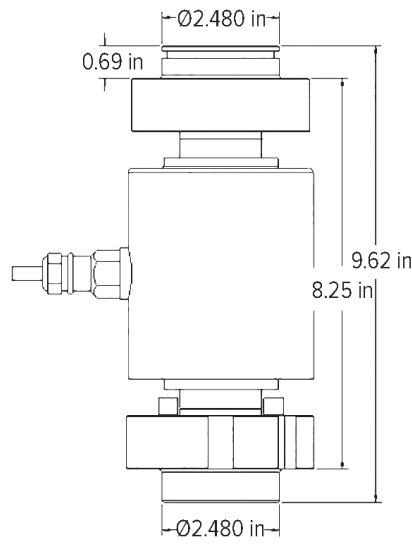
Applications

- Mettler Toledo DigiTOL truck scale conversion

WEIGH MODULES



RC3-50 t
TRACK



RC3-50 t
TRUCK