

# MSI-4260B

Front Casting Assembly



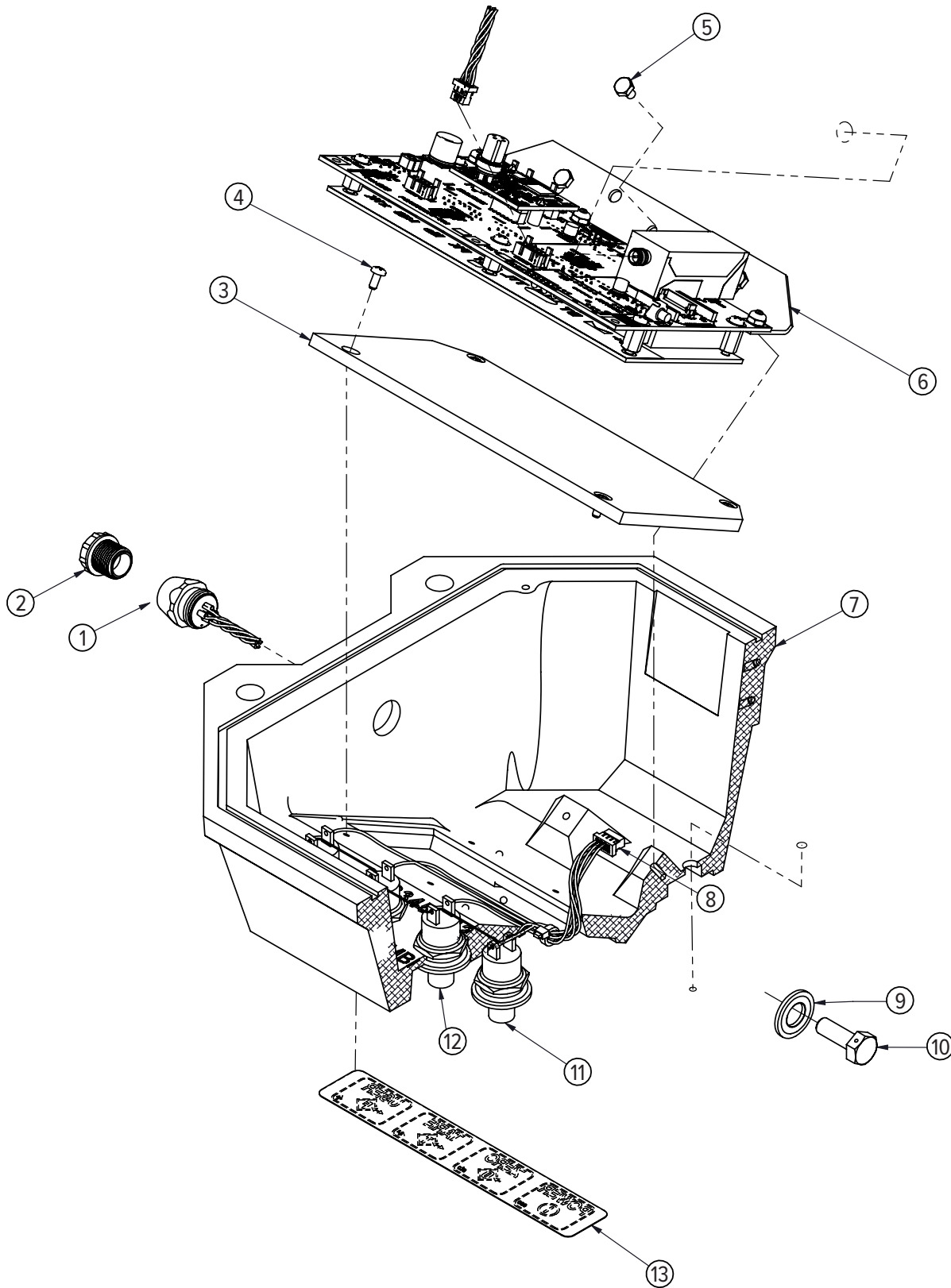
## Part Number/Price

Item #	Part #	Description	Price
1	139449	Cable assembly comm serial data RS-232	Consult
2	143352	Conn closure cap IP68 male	Consult
3	149488	Window LED	Consult
4	128088	Screw 4-40 x 1/4 pan head Phillips drive 18-8 stainless steel	Consult
5	142197	Screw, pan head 6-32 x 5/16 long Phillips drive stainless steel with locking patch material applied	Consult
6	139427	Assembly electronics 5-digit	Consult
7	149481	Front casting and machining	Consult
8	139448	Cable assembly switch harness	Consult
9	142472	Washer seal Stat-O-Seal® 1/4 in	Consult
10	153203	Screw hex 1/4-20 x 0.375 UNC drilled head stainless steel	Consult
11	147562	Switch P3-31111W watertight red	Consult
12	147563	Switch P3-31112W watertight black	Consult
13	149506	Label switch	Consult
14	153429	PCA ScaleCore3 1-channel w/turck insert	Consult

REPLACEMENT PARTS

# MSI-4260B

Front Casting Assembly



REPLACEMENT PARTS

# MSI-4260B

Mid-Section Assembly (S-Beam Load Cell ) (500 to 10,000 lb)



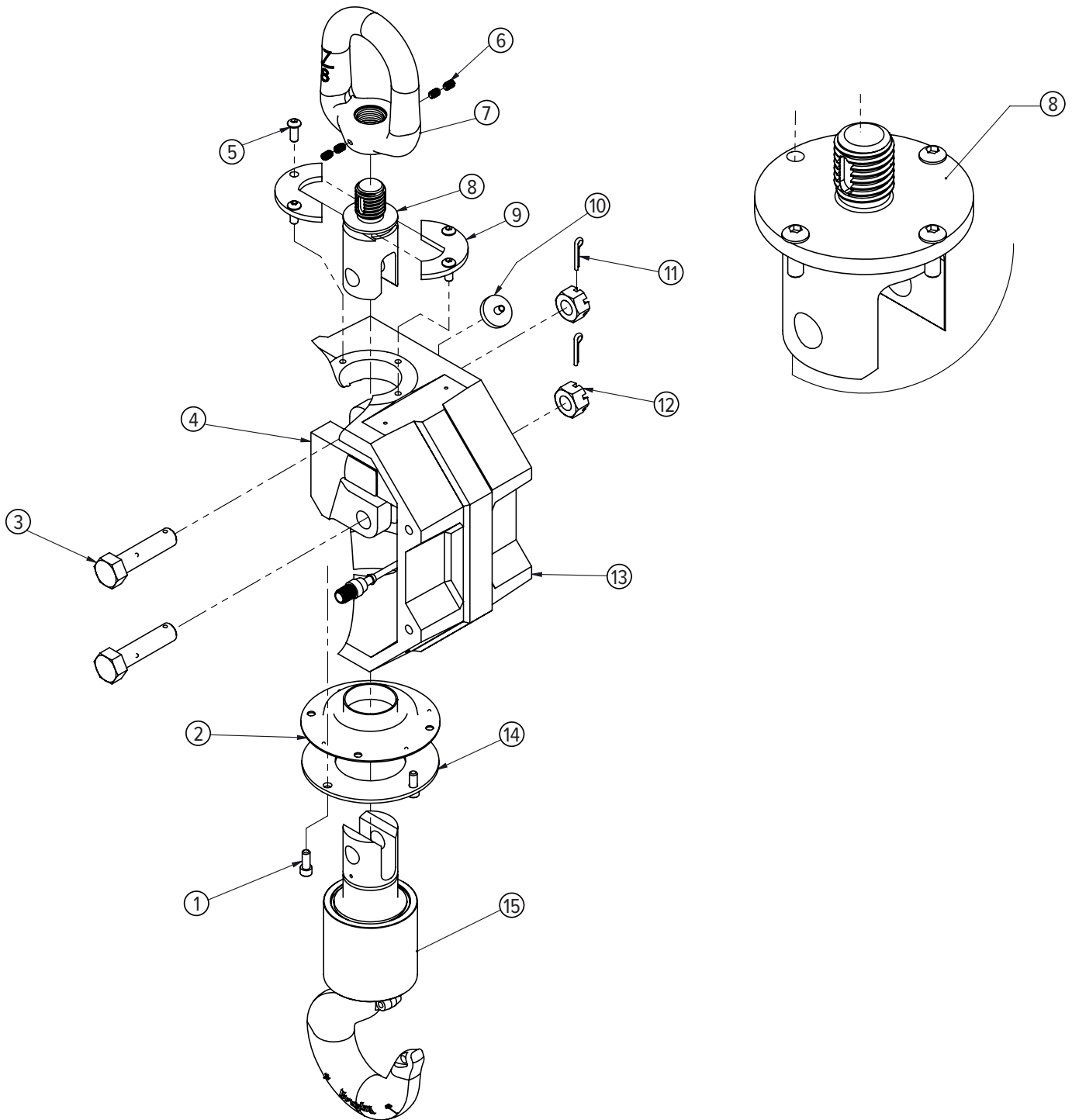
## Part Number/Price

Item #	Part #	Description	Price
1	145990	Screw socket head 1/4-20 x 5/8 stainless steel	Consult
2	149710	Seal link lower	Consult
	149165	Seal lower link	Consult
3	148457	Bolt clevis hex head 5/8 x 1.75 grip with thread protectors	Consult
	149217	Bolt clevis hex head 5/8 x 2.75 grip with thread protectors	Consult
4	138661	Load cell assembly 500 lb s-beam	Consult
	138662	Load cell assembly 1K/2K s-beam	Consult
	138663	Load cell assembly 5K s-beam	Consult
	138664	Load cell assembly 10K s-beam	Consult
5	72031	Screw, cap 1/4-20NC x 5/8 hex socket button head stainless steel	Consult
6	128799	Screw, set 1/4-20 x 3/8 socket head cup point 18-8 stainless steel	Consult
7	139795	Eye nut #7 500# - 2K	Consult
	148225	Eye nut 5/10K	Consult
8	148271	Upper link 500#/10K	Consult
	149126	Upper link s-beam 5/10K	Consult
9	148274	Collar top half 500#/10K	Consult
10	146347	Adhesive loctite 242-21 blue	Consult
11	15238	Pin, cotter 1/8 x 1 extended prong stainless steel	Consult
12	142832	Nut hex slotted 5/8 - 11	Consult
13	150519	Mid-section machined 500-10K w/o o-ring	Consult
14	148259	Collar 500#/10K	Consult
15	135043	Swivel hook assembly 500#/2K	Consult
	143236	Safety latches for 500#/2K	Consult
	134523	Swivel hook assembly 5/10K s-beam	Consult
	143233	Safety latches for 5/10K	Consult

REPLACEMENT PARTS

# MSI-4260B

Mid-Section Assembly (S-Beam Load Cell) (500 to 10,000 lb)



REPLACEMENT PARTS

# MSI-4260B

Mid-Section Assembly (20,000 to 30,000 lb)



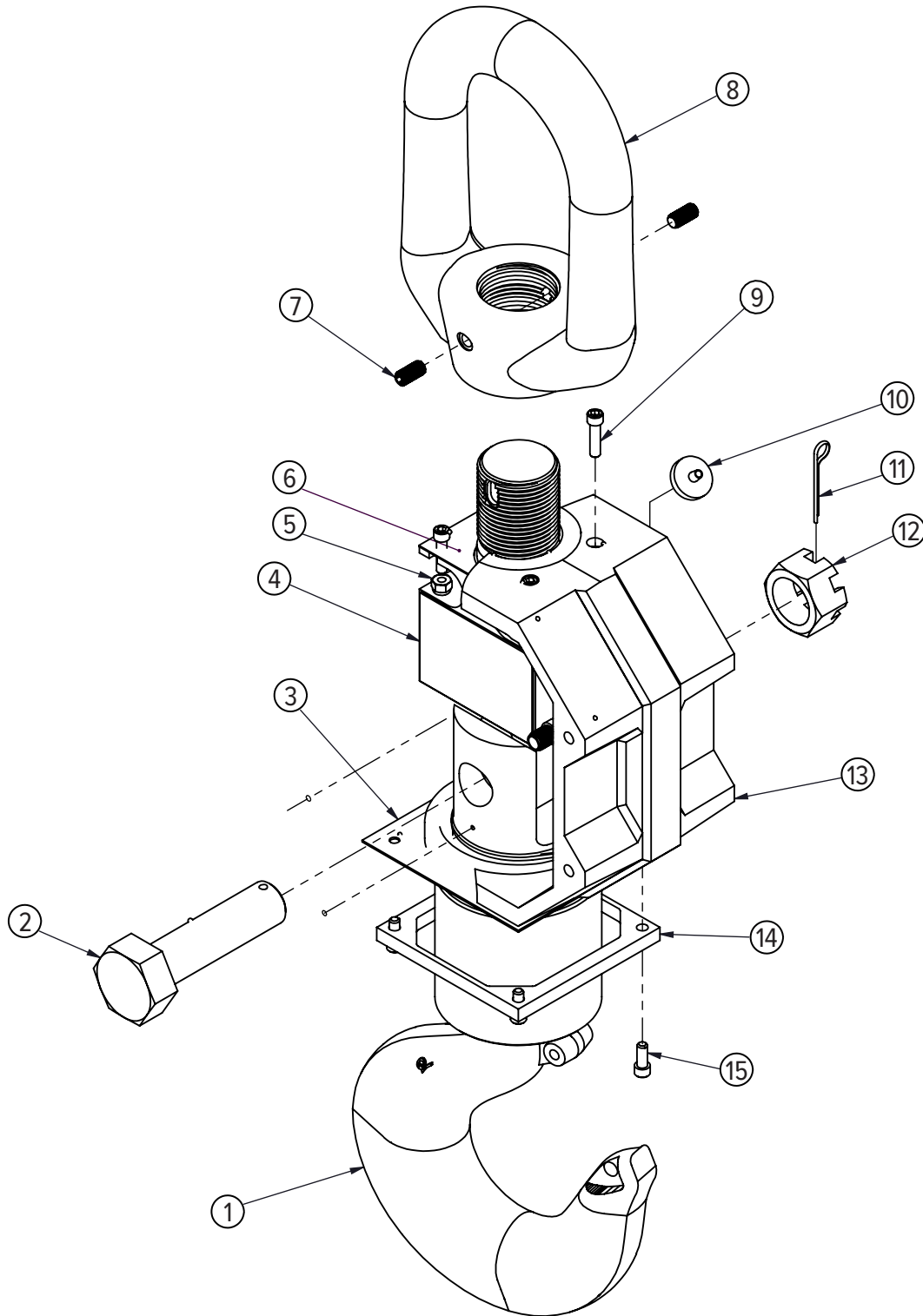
## Part Number/Price

Item #	Part #	Description	Price
1	134938	Swivel hook assembly 20K	Consult
	110661	Safety latch 20K	Consult
	134939	Swivel hook assembly 30K	Consult
	143235	Safety latch 30K	Consult
2	148458	Bolt clevis hex head 1.125-4 x 4.2 grip with thread protectors	Consult
3	149957	Boot lower 20 to 70K	Consult
4	137763	Load cell assembly 20/30K standard	Consult
5	146631	Nut hex 1/4-20 nyloc stainless steel	Consult
6	149976	Gasket upper 20/30K Port-A-Weigh gasket	Consult
7	146081	Screw set 3/8-24 x 3/4 cup point stainless steel	Consult
8	148110	Eye nut 20/30K galvanized	Consult
9	81405	Screw, socket head 1/4-20 UNCx1 18-8 stainless steel	Consult
10	146322	Filter millipore	Consult
11	142186	Cotter pin 3/16 x 2 stainless steel	Consult
12	142833	Nut hex slotted 1.125 - 7 zinc plated	Consult
13	150523	Mid-section machined 20/30K	Consult
14	149958	Collar bottom 20 to 50K	Consult
15	145990	Screw socket head 1/4-20 x 5/8 stainless steel	Consult

REPLACEMENT PARTS

# MSI-4260B

Mid-Section Assembly (20,000 to 30,000 lb)



REPLACEMENT PARTS

# MSI-4260B

Mid-Section Assembly (50,000 to 70,000 lb)



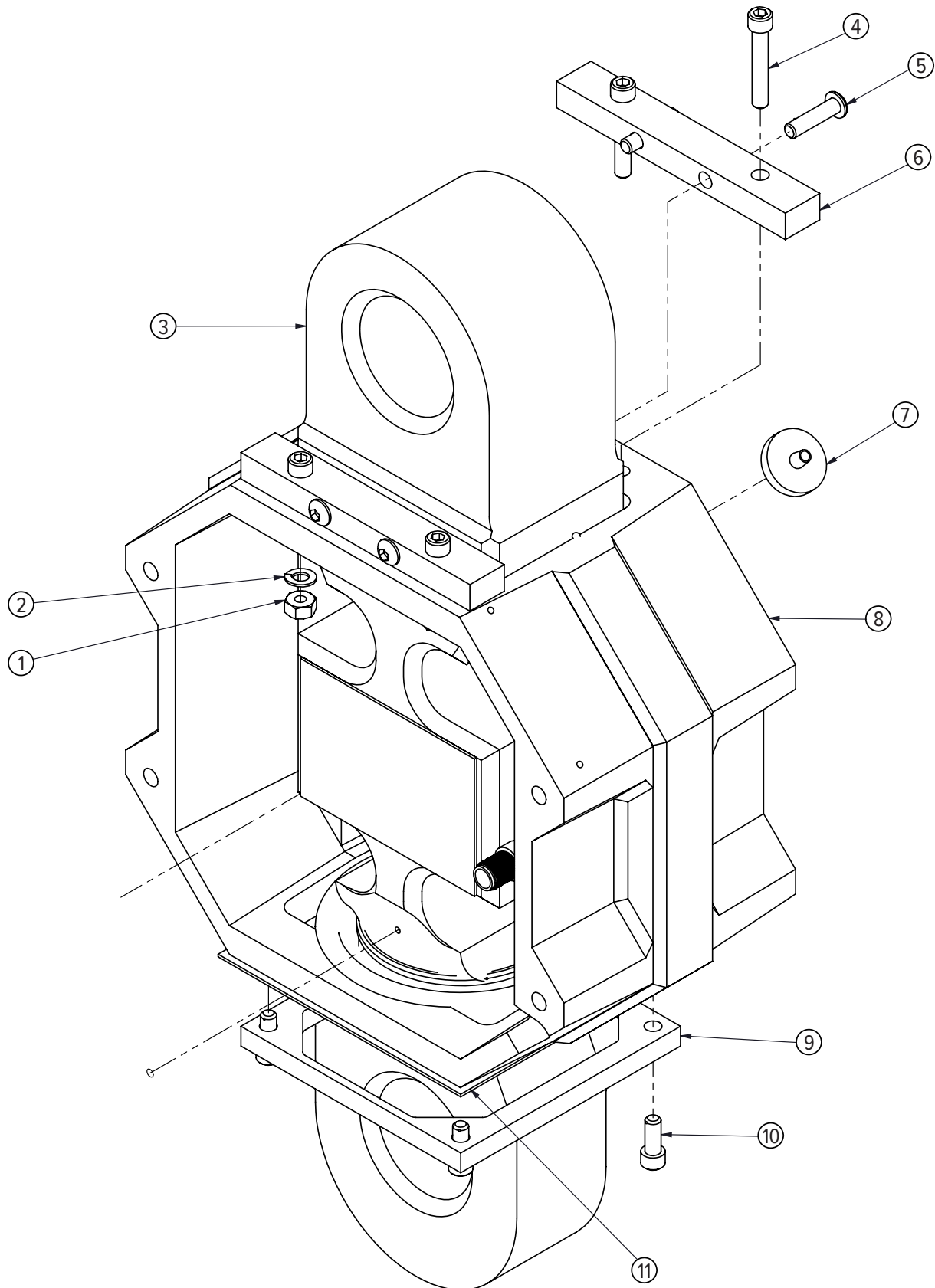
## Part Number/Price

Item #	Part #	Description	Price
1	14642	Nut, 1/4-20NC hex stainless steel	Consult
2	15148	Washer, lock 1/4 regular	Consult
3	137764	Load cell assembly 50/70K standard	Consult
4	117599	Screw, cap 1/4-20NC x 1-1/2 hex socket head 18-8 stainless steel	Consult
5	145982	Screw button head 1/4-20 x 1 stainless steel socket head	Consult
6	148213	Collar top 50/100K	Consult
7	146322	Filter millipore	Consult
8	150525	Mid-section machined 50/100K	Consult
9	149958	Collar bottom 20 to 50K	Consult
10	145990	Screw socket head 1/4-20 x 5/8 stainless steel	Consult
11	149957	Boot lower 20 to 70K	Consult
<b>Not Shown</b>			
	151356	Shackle, 25T, 50,000 lb	Consult
	146335	Shackle, 40T, 70,000 lb	Consult
	135035	Hook, swivel, 50,000 lb	Consult
	142179	Latch, safety (fits 135035 hook)	Consult
	135036	Hook, swivel, 70,000 lb	Consult
	142180	Latch, safety (fits 135036 hook)	Consult

REPLACEMENT PARTS

# MSI-4260B

Mid-Section Assembly (50,000 to 70,000 lb)



REPLACEMENT PARTS



# MSI-4260B

Battery Casting Assembly



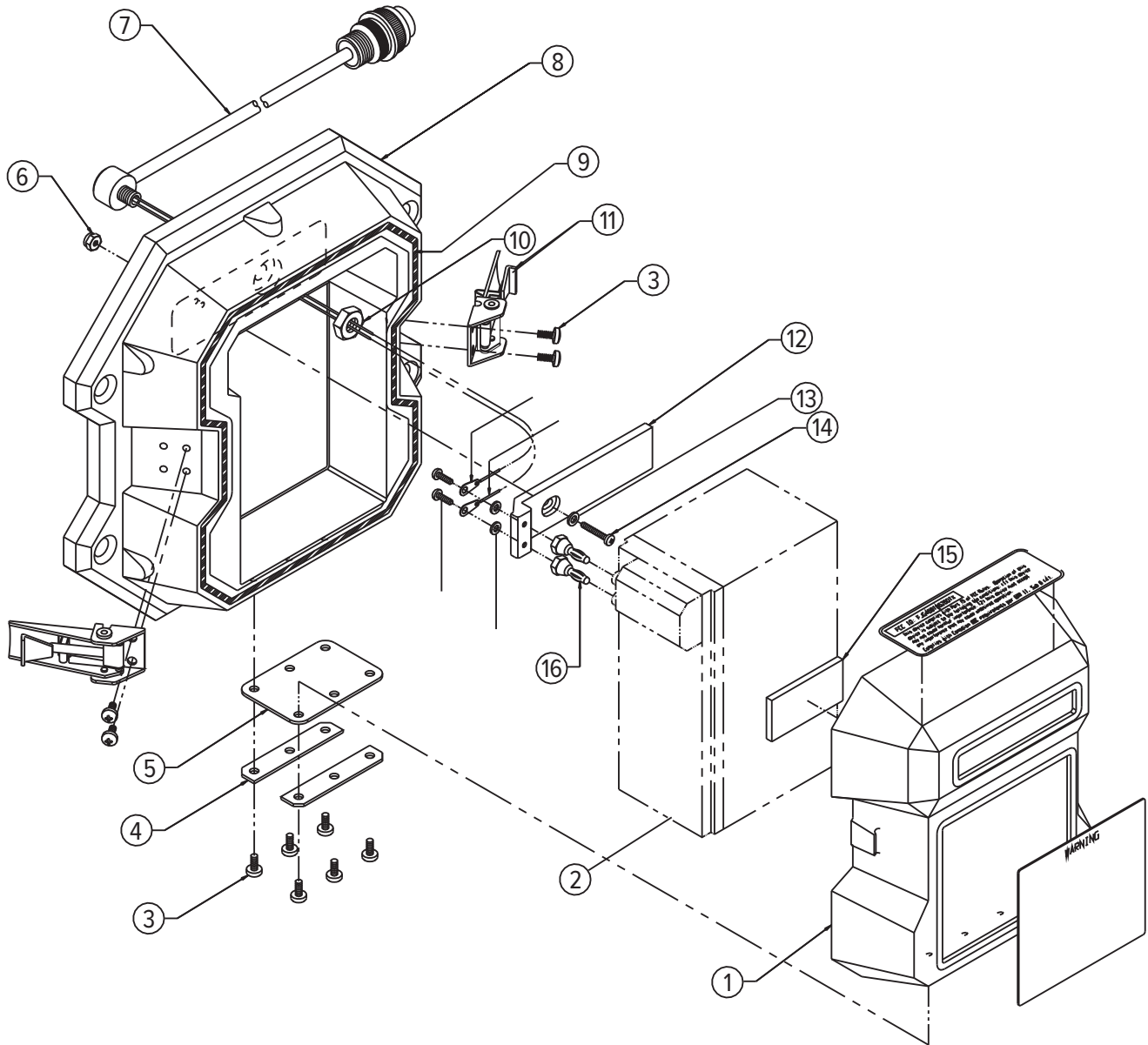
## Part Number/Price

Item #	Part #	Description	Price
1	150516	Battery door machined	Consult
2	150367	Battery	Consult
3	146107	Screw pan head 8-32 x 5/16 type f stainless steel Phillips	Consult
4	149718	Plate aluminum battery door	Consult
5	149719	Fastener battery door rubber	Consult
6	146627	Nut hex 6-32 nyloc stainless steel	Consult
7	133798	Cable assembly power molded feed through	Consult
8	150517	Battery well machined with o-ring	Consult
9	149723	O-ring assembly battery well casting	Consult
10	146661	Nut hex 5/16-18 jam stainless steel	Consult
11	145934	Latch camloc	Consult
12	150073	Conn block	Consult
13	55124	Washer, flat #6 cres	Consult
14	127036	Screw, machine 6-32 x 3/4 Phillips pan head 18-8 stainless steel	Consult
15	146640	Pad poron 2.0 x 1.0	Consult
16	147825	Plug banana jack	Consult

REPLACEMENT PARTS

# MSI-4260B

Battery Casting Assembly



REPLACEMENT PARTS

# MSI-4260B

Bulkhead Assembly



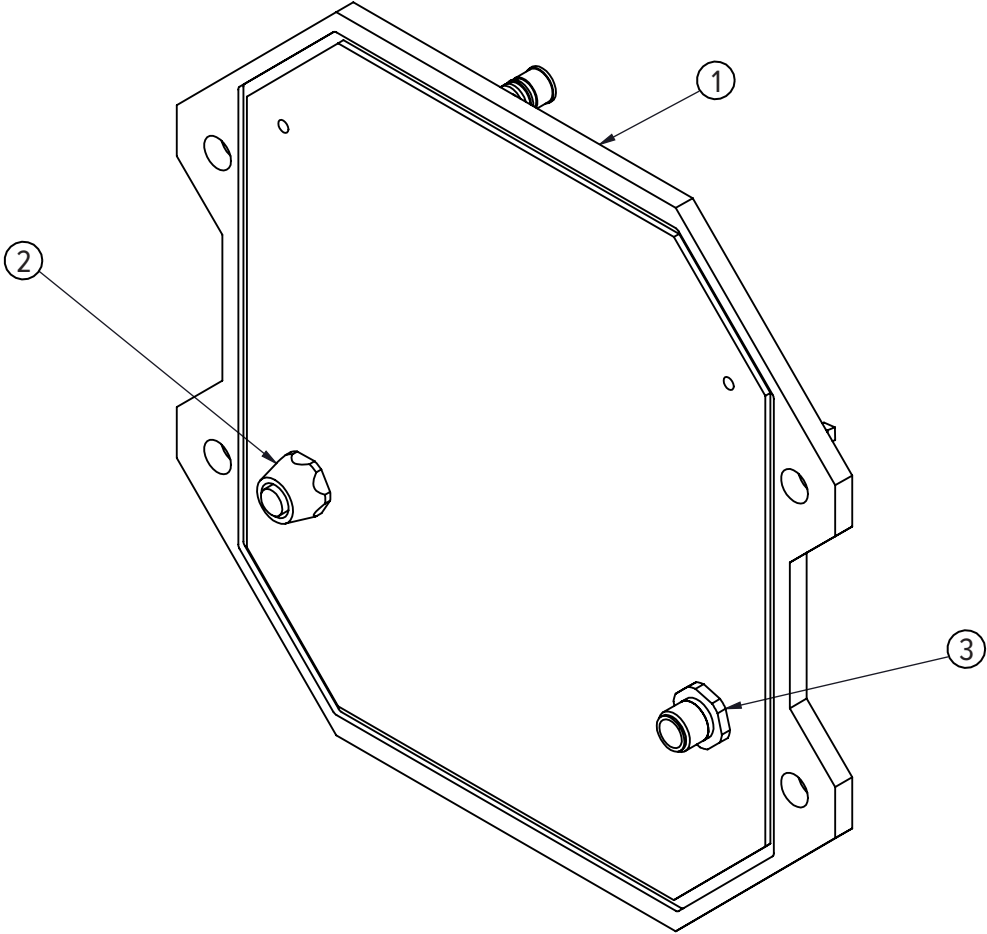
### Part Number/Price

Item #	Part #	Description	Price
1	149469	Bulkhead	Consult
2	139471	Cable assembly bulkhead load cell 12.0 in	Consult
3	139472	Cable assembly bulkhead power 12.0 in	Consult

REPLACEMENT PARTS

# MSI-4260B

Bulkhead Assembly



REPLACEMENT PARTS