

MSI-4260M Industrial

Front Casting Assembly



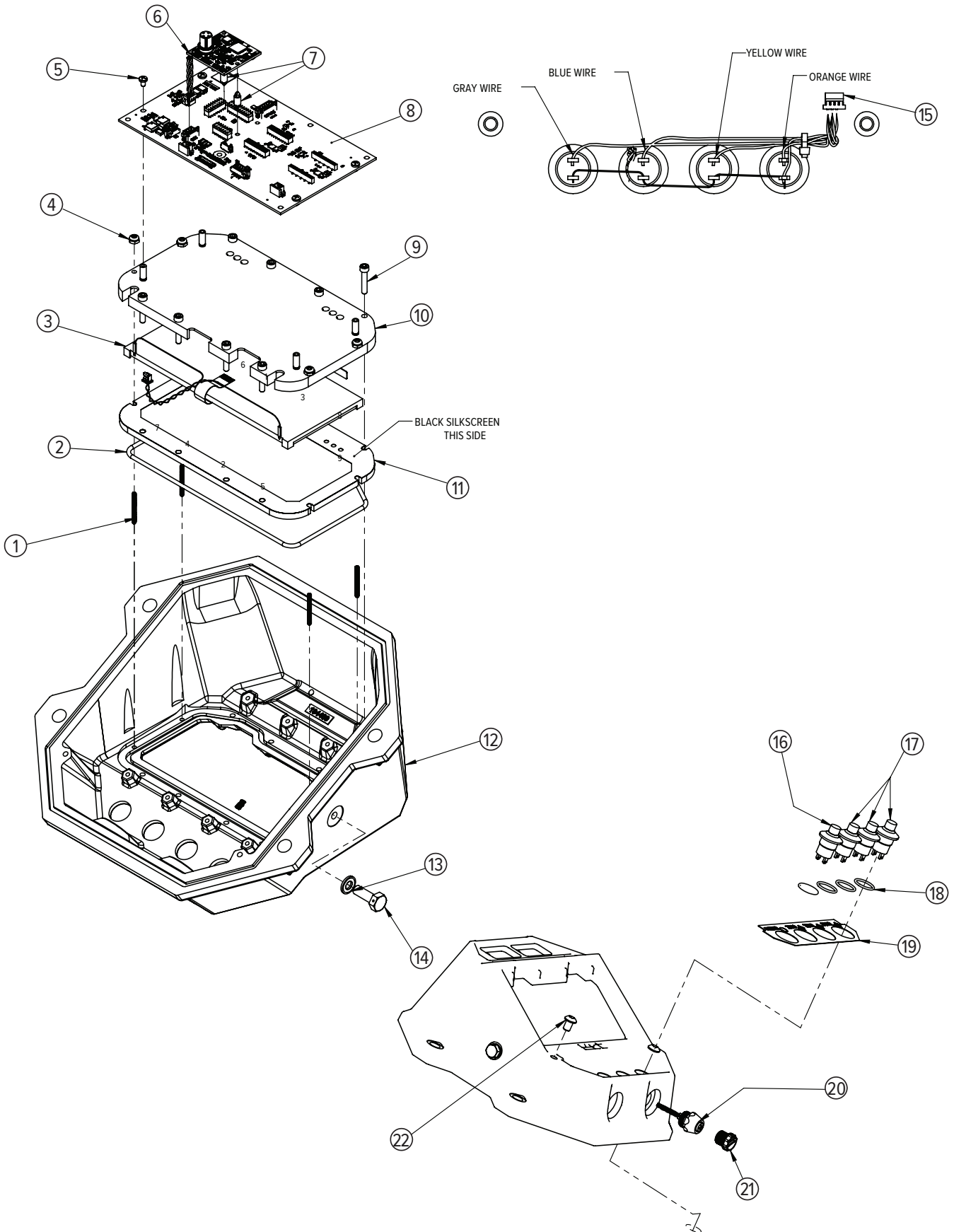
Part Number/Price

Item #	Part #	Description	Price
1	196566	Screw set allen dr cp stainless steel 4-40 1.0 LG	Consult
2	182066	O-ring 5.737 × 0.103 nitrile	Consult
3	195333	LCD module	Consult
4	146625	Nut hex 4-40 nyloc stainless steel	Consult
5	146593	Screw pan head 4-40 × 3/16 Phillips stainless steel	Consult
6	153429	PCA ScaleCore 3 1-channel w/ Turck insert - controlled	Consult
7	144929	Spacer miniature dual locking 6 mm long	Consult
8	191081	PCA 5-digit LCD	Consult
9	200637	Screw, cap 6-32NC × 3/4 hex socket head 18-8 stainless steel	Consult
10	196524	LCD bracket	Consult
11	196523	LCD window	Consult
12	203000	Front casting LCD display	Consult
13	142472	Washer seal Stat-O-Seal® 1/4 in	Consult
14	153203	Screw hex 1/4-20 × .375 UNC drilled hd stainless steel	Consult
15	139448	Cable assembly switch harness	Consult
16	147562	Switch P3-31111W watertight red	Consult
17	147563	Switch P3-31112W watertight black	Consult
18	146251	O-ring 70 durometer for use with PG11 feed through	Consult
19	194709	Overlay switches	Consult
20	139449	Cable assembly comm serial data RS-232	Consult
21	143352	Connector closure cap IP68 male	Consult
22	198460	Screw, cap 1/4-20 × 3/8 hex socket button head stainless steel	Consult

REPLACEMENT PARTS

MSI-4260M Industrial

Front Casting Assembly



REPLACEMENT PARTS

MSI-4260M Industrial

Mid-Section Assembly (500 to 10,000 lb)



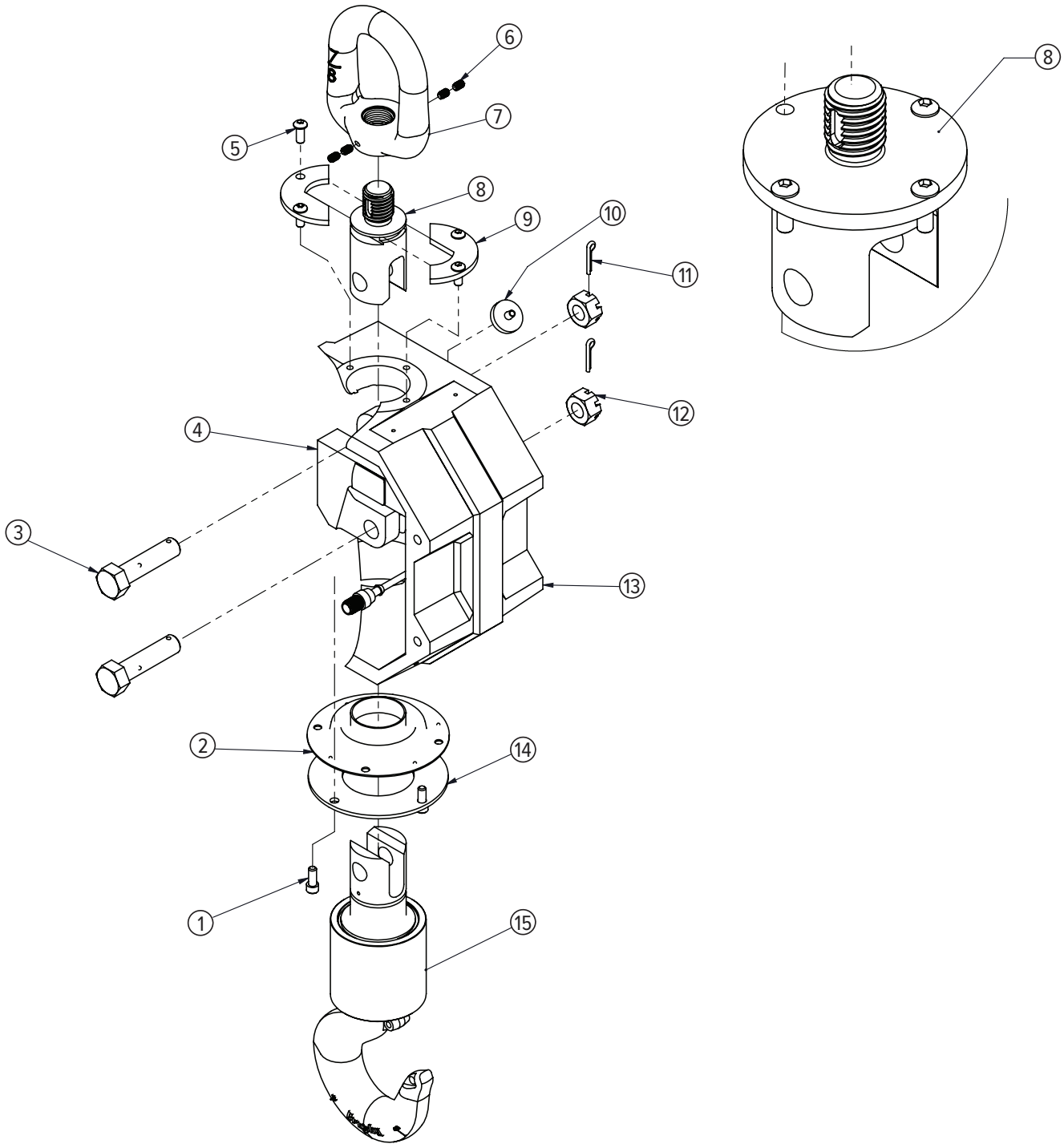
Part Number/Price

Item #	Part #	Description	Price
1	145990	Screw socket head 1/4-20 × 5/8 stainless steel	Consult
2	149165	Seal lower link	Consult
	149710	Seal lower link	Consult
3	149217	Bolt clevis hex head 5/8 × 2.75 grip	Consult
	148457	Bolt clevis hex head 5/8 × 1.75 grip with thread protectors	Consult
4	138664	Load cell assembly 10 K S-beam	Consult
	138663	Load cell assembly 5 K S-beam	Consult
	138662	Load cell assembly 1 K/2 K S-beam	Consult
	138661	Load cell assembly 500 lb S-beam	Consult
5	41251	Screw, cap 1/4-20NC × 3/4 hex socket button head stainless steel	Consult
	72031	Screw, cap 1/4-20NC × 5/8 hex socket button head stainless steel	Consult
6	128799	Screw, set 1/4-20 × 3/8 socket head cup point 18-8 stainless steel	Consult
7	148225	Eye nut 5/10 K	Consult
	139795	Eye nut #7 500 lb/2 K	Consult
8	149126	Upper link S-beam 5/10 K	Consult
	148271	Upper link 500 lb/10 K	Consult
9	148274	Collar top half 500 lb/10 K	Consult
10	146322	Filter	Consult
11	15238	Pin, cotter 1/8 × 1 extended prong stainless steel	Consult
12	142832	Nut, hex slotted 5/8-11	Consult
13	150519	Mid section machined 500 lb/10 K without o-ring	Consult
14	148259	Collar 500 lb/10 K	Consult
15	134523	Swivel hook assembly 5/10 K S-beam	Consult
	135043	Swivel hook assembly 500 lb/2 K S-beam	Consult

REPLACEMENT PARTS

MSI-4260M Industrial

Mid-Section Assembly (500 to 10,000 lb)



REPLACEMENT PARTS

MSI-4260M Industrial

Mid-Section Assembly (20,000 to 30,000 lb)



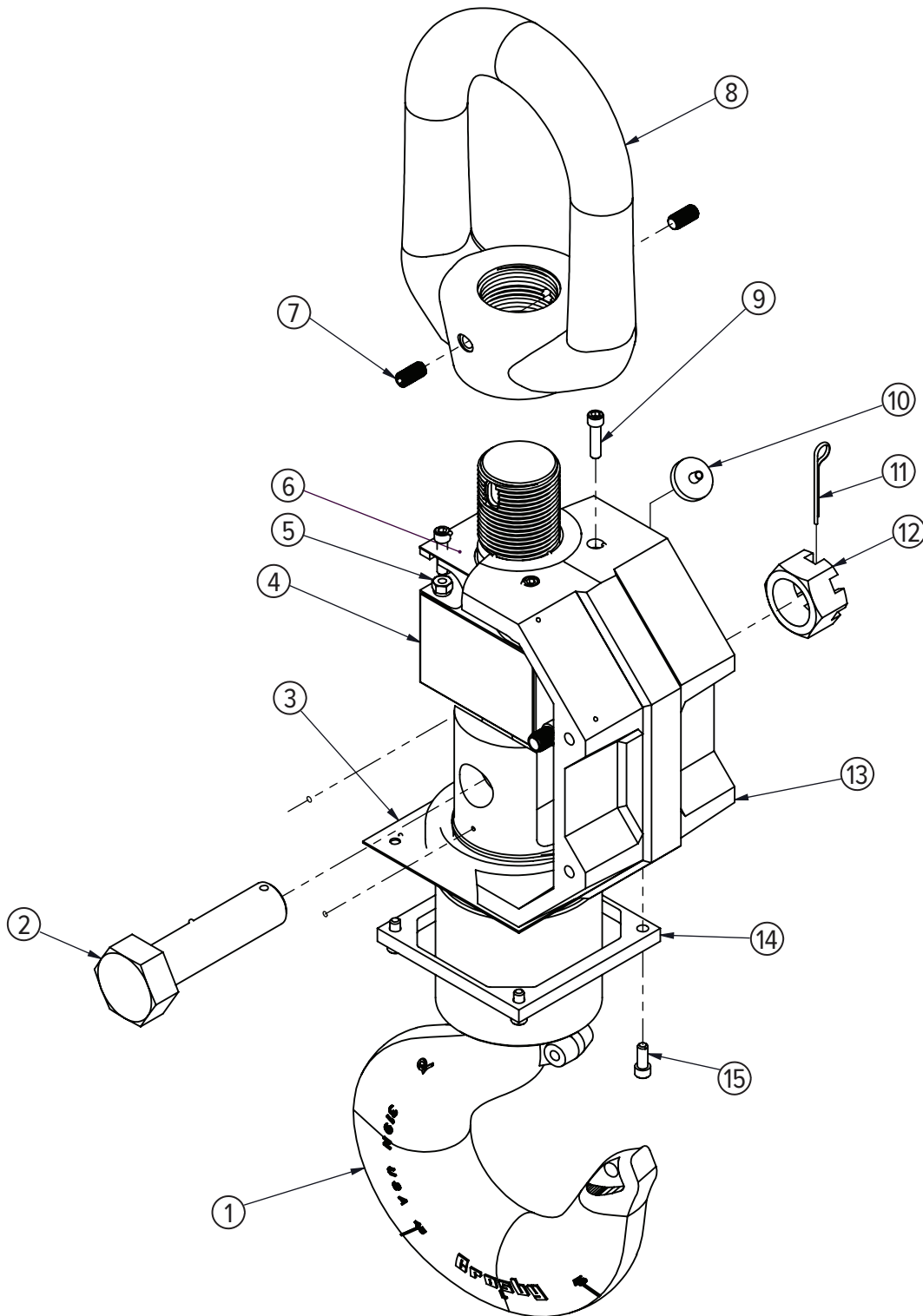
Part Number/Price

Item #	Part #	Description	Price
1	134938	Swivel hook assembly 20 K	Consult
	134939	Swivel hook assembly 30 K	Consult
2	148458	Bolt clevis hex head 1.125-7 × 4.2 grip with thread protectors	Consult
3	149957	Boot lower 20 to 70 K	Consult
4	137763	Load cell assembly 20 K/30 K	Consult
5	146631	Nut hex 1/4-20 nyloc stainless steel	Consult
6	149976	Gasket upper 20 K/30 K Port-A-Weigh gasket	Consult
7	146081	Screw set 3/8-24 × 3/4 cup point stainless steel	Consult
8	148110	Eye nut 20 K/30 K galvanized	Consult
9	81405	Screw, socket head 1/4-20UNC×1 18-8 stainless steel	Consult
10	146322	Filter millipore	Consult
11	142186	Cotter pin 3/16 × 2	Consult
12	142833	Nut hex slotted 1.125 - 7 zinc pltd	Consult
13	150523	Mid section machined 20 K/30 K	Consult
14	149958	Collar bottom 20 to 50 K	Consult
15	145990	Screw socket head 1/4-20 × 5/8 stainless steel	Consult

REPLACEMENT PARTS

MSI-4260M Industrial

Mid-Section Assembly (20,000 to 30,000 lb)



REPLACEMENT PARTS

MSI-4260M Industrial

Mid-Section Assembly (50,000 to 70,000 lb)



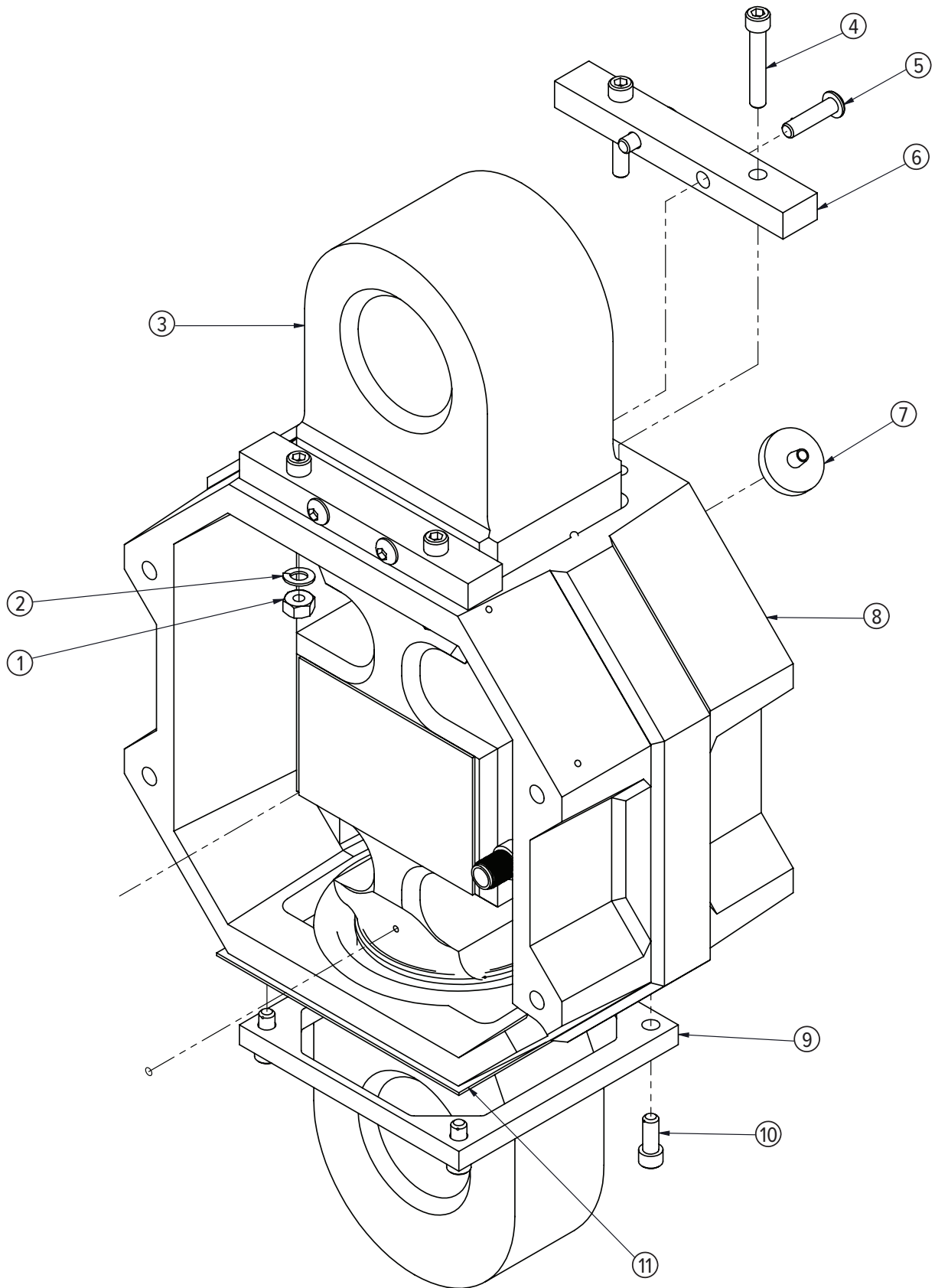
Part Number/Price

Item #	Part #	Description	Price
1	14642	Nut, 1/4-20NC hex stainless steel	Consult
2	15148	Washer, lock 1/4 regular helical spring stainless steel	Consult
3	137764	Load cell assembly 50 K/70 K standard	Consult
4	117599	Screw, cap 1/4-20NC×1-1/2 hex socket head 18-8 stainless steel	Consult
5	145982	Screw button head 1/4-20 × 1 stainless steel socket head	Consult
6	148213	Collar top 50 K/100 K	Consult
7	146322	Filter millipore	Consult
8	150525	Mid-section machined 50 K/100 K	Consult
9	149958	Collar bottom 20 to 50 K	Consult
10	145990	Screw socket head 1/4-20 × 5/8 stainless steel	Consult
11	149957	Boot lower 20 to 70 K	Consult
Not Shown			
	151356	Shackle, 25 T, 50,000 lb	Consult
	146335	Shackle, 40 T, 70,000 lb	Consult
	135035	Hook, swivel 50,000 lb	Consult
	142179	Latch safety (fits PN 135035 hook)	Consult
	135036	Hook, swivel 70,000 lb	Consult
	142180	Latch safety (fits PN 135036 hook)	Consult

REPLACEMENT PARTS

MSI-4260M Industrial

Mid-Section Assembly (50,000 to 70,000 lb)



REPLACEMENT PARTS

MSI-4260M Industrial

Battery Casting Assembly



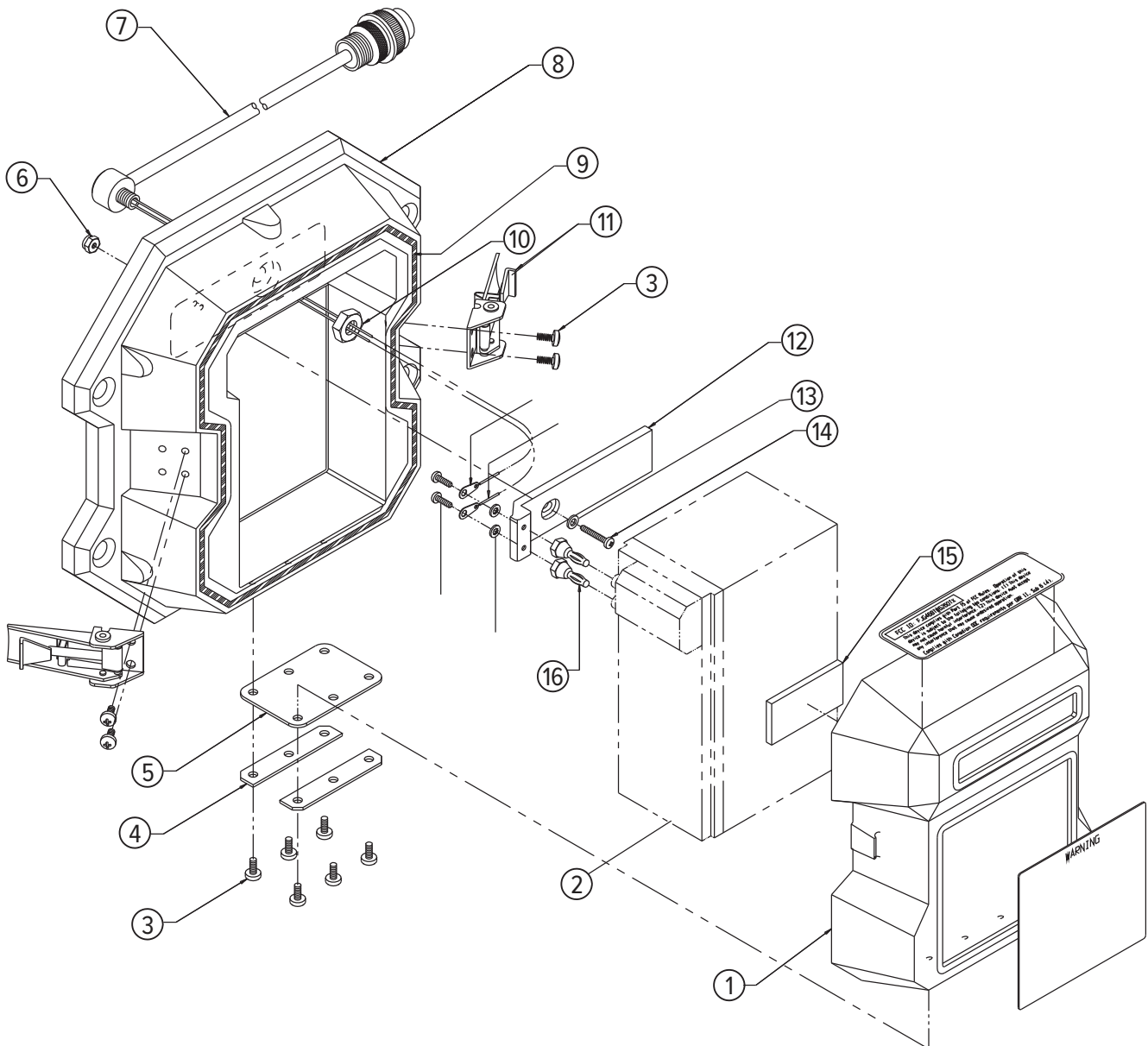
Part Number/Price

Item #	Part #	Description	Price
1	150516	Battery door machined	Consult
2	150367	Battery	Consult
3	146107	Screw pan head 8-32 x 5/16 type f stainless steel Phillips head	Consult
4	149718	Plate aluminum battery door	Consult
5	149719	Fastener battery door rubber	Consult
6	146627	Nut hex 6-32 nyloc stainless steel	Consult
7	133798	Cable assembly power molded feed through	Consult
8	150517	Battery well machined with o-ring	Consult
9	149723	O-ring assembly battery well casting	Consult
10	146661	Nut hex 5/16-18 jam stainless steel	Consult
11	145934	Latch camloc	Consult
12	150073	Connector block	Consult
13	55124	Washer, flat #6 cres	Consult
14	127036	Screw, machine 6-32 x 3/4 Phillips pan head 18-8 stainless steel	Consult
15	146640	Pad poron 2.0 x 1.0	Consult
16	147825	Plug banana jack	Consult

REPLACEMENT PARTS

MSI-4260M Industrial

Battery Casting Assembly



REPLACEMENT PARTS

MSI-4260M Industrial

Bulkhead Assembly



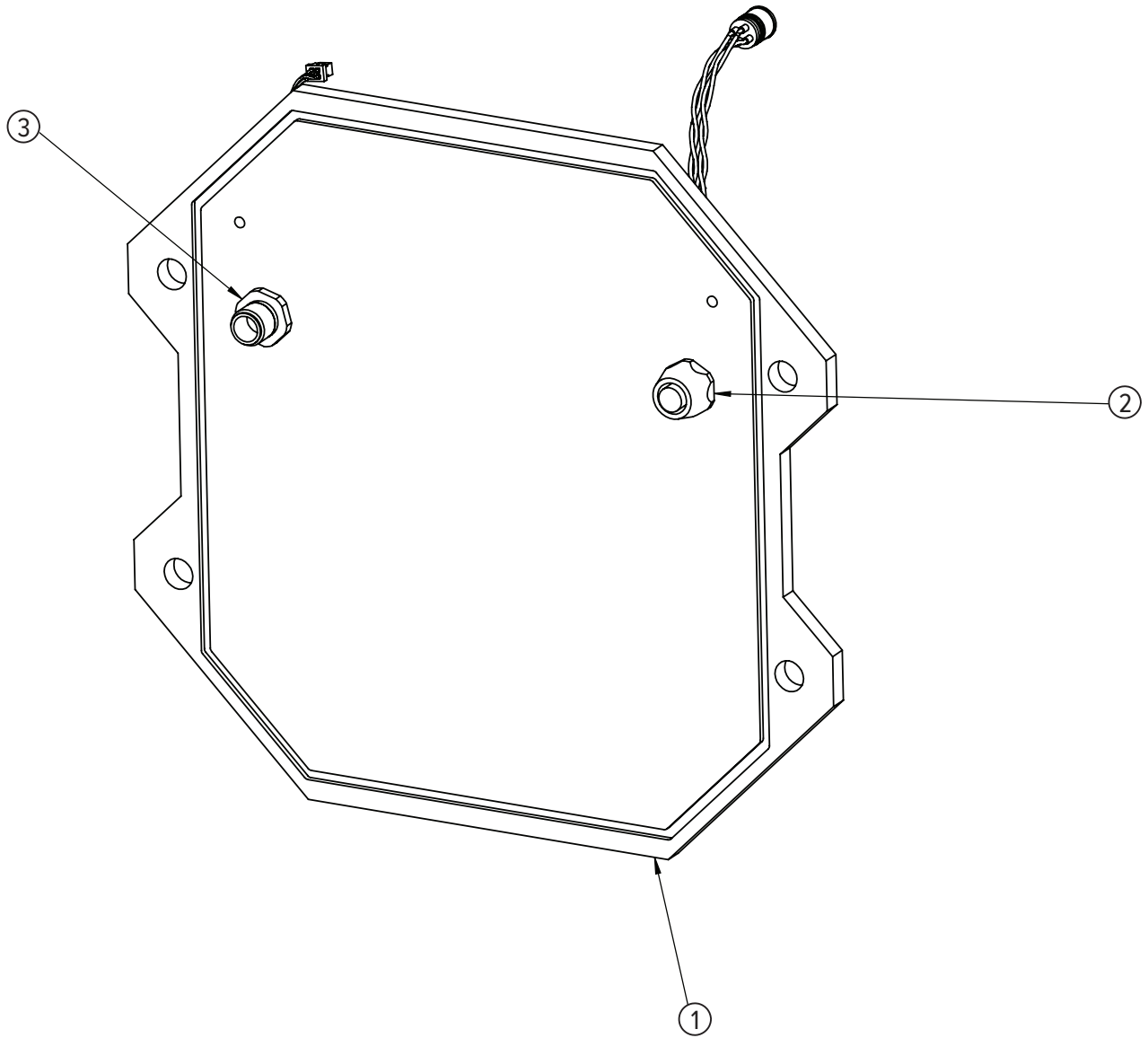
Part Number/Price

Item #	Part #	Description	Price
1	196355	Bulkhead front casting	Consult
2	139471	Cable assembly bulkhead load cell 12.0 in	Consult
3	139472	Cable assembly bulkhead power 12.0 in	Consult

REPLACEMENT PARTS

MSI-4260M Industrial

Bulkhead Assembly



REPLACEMENT PARTS