

MSI-4260M Marine

Front Assembly



Part Number/Price

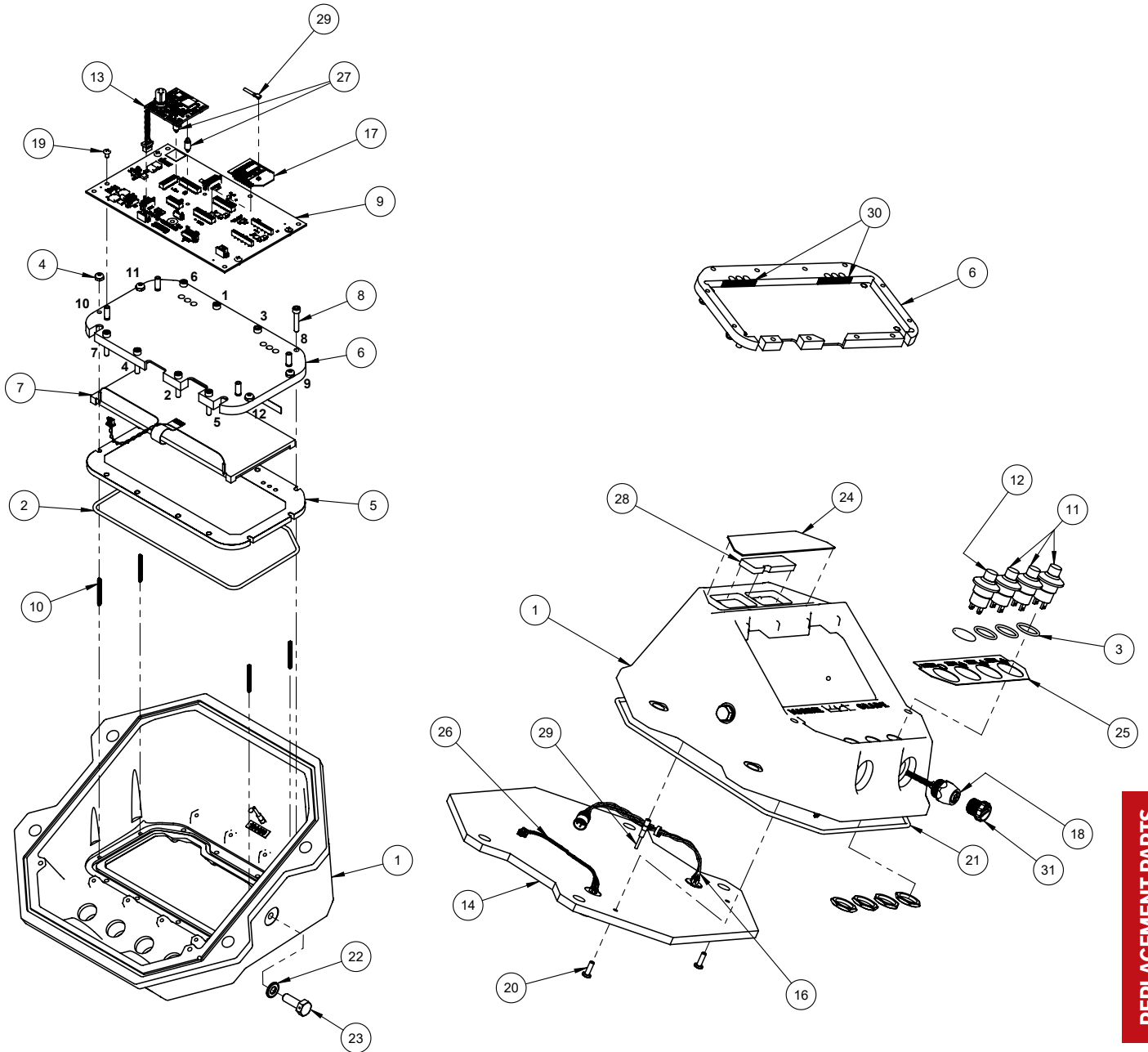
Item #	Part #	Description	Price
1	194469	Front casting 4260M	Consult
2	182066	O-ring 5.707 × .103	Consult
3	146251	O-ring ID .614 × .070 70 durometer	Consult
4	146625	Nut hex 4-40 nyloc stainless steel	Consult
5	196523	Window LCD 4260M	Consult
6	196524	Bracket LCD and electronics 4260M	Consult
7	195333	LCD display module 4260M	Consult
8	79567	Screw socket head 6-32 × 3/4 stainless steel	Consult
9	191081	PCA LCD 4260M	Consult
10	196566	Screw set 4-40 × 1.0 lg cp stainless steel	Consult
11	147563	Switch, black, watertight	Consult
12	147562	Switch, red, watertight	Consult
13	137805	PCA Scalecore 1 channel with turck insert	Consult
14,16,26	196276	Bulkhead assembly front 4260M	Consult
15	139448	Cable assembly switch harness 4260B (not shown)	Consult
16	139471	Cable assembly bulkhead lc 4260B/4260M	Consult
17	144773	Radio module XBEE-PRO 802.15.4 U.FL connect	Consult
18	139449	Cable assembly comm serial data RS-232 4260B/4260M	Consult
19	146593	Screw pan head 4-40 × 3/16 Phillips stainless steel	Consult
20	146604	Screw pan head 6-32 × 7/16 Phillips stainless steel	Consult
21	149724	O-ring assembly front casting paw/Trans-Weigh 4260M	Consult
22	142472	Washer seal Stat-O-Seal® 1/4 inch	Consult
23	144333	Screw hex head 1/4-20 × .75 drilled hd zinc pltd	Consult
24	195104	Overlay, descriptive 4260M	Consult
25	194709	Overlay switch 4260M	Consult
26	139472	Cable assembly bulkhead power 4260B/4260M	Consult
27	144929	Spacer mini dual locking .1 hole × 6 mm long	Consult
28	143454	Antenna 2.4GHz patch with straight mmcx	Consult
29	139450	RF cable assembly mmcx str jack - U.FL 175 mm	Consult
30	197592	Light shield blackout .235 × 1.25 peel & stick	Consult
31	143352	Conn closure cap IP68 male	Consult

Note: Items 14, 16 and 26 add new item for the assembly

REPLACEMENT PARTS

MSI-4260M Marine

Front Assembly



REPLACEMENT PARTS

MSI-4260M Marine

Battery Casting Assembly



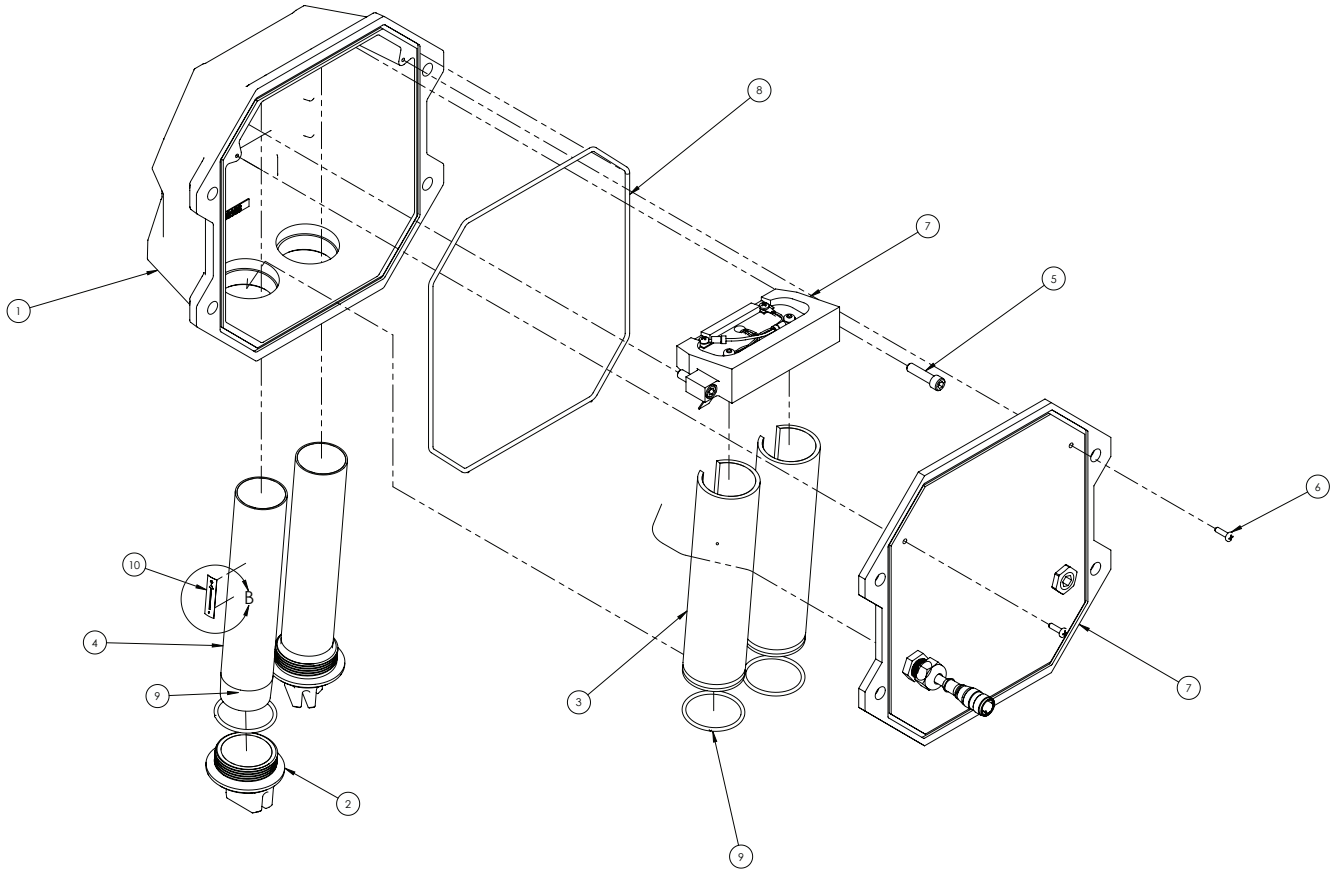
Part Number/Price

Item #	Part #	Description	Price
1	196155	Rear casting d-cell battery 4260M	Consult
2	147901	Battery cap paw+ d-cell tube 4260M	Consult
3	196308	Guide tube d-cell battery 4260M	Consult
4	196313	Weldment d-cell battery tube	Consult
5	81405	Screw socket head 1/4-20 x 1 stainless steel	Consult
6	146605	Screw pan head 6-32 x 1/2 stainless steel	Consult
7	196500	Battery terminal carrier assembly	Consult
8	149724	O-ring assembly front casting paw/trans-weigh 4260M	Consult
9	196502	O-ring 1-9/16 id x .103	Consult
10	141676	Polarity label	Consult

REPLACEMENT PARTS

MSI-4260M Marine

Battery Casting Assembly



REPLACEMENT PARTS

MSI-4260M Marine

Midsection Assembly



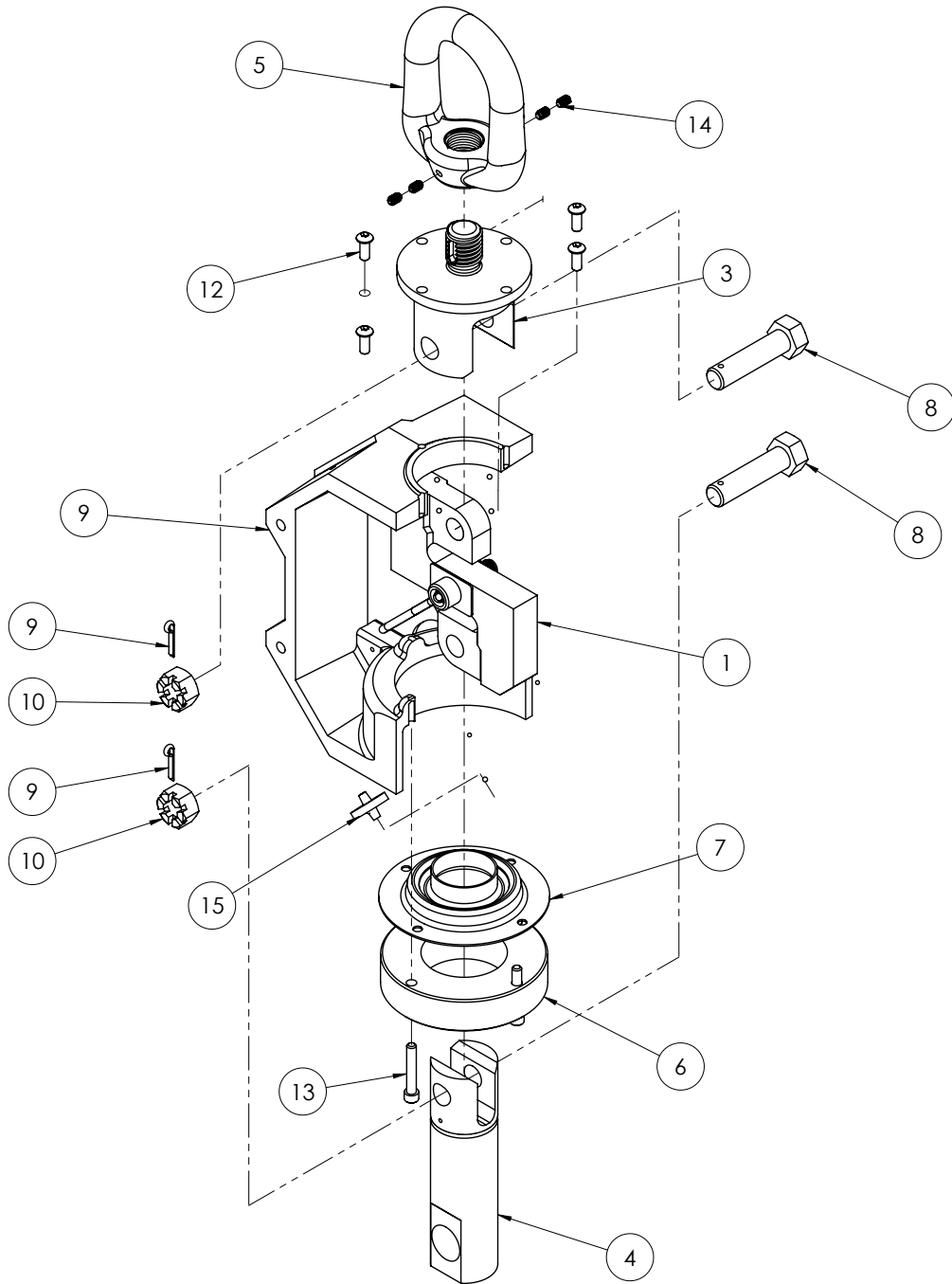
Part Number/Price

Item #	Part #	Description	Price
1	138663	Load cell assembly 5K s-beam 4260B/4260M	Consult
2	149175	Casting mid section 5/10K s-beam 6260CS, 4260M	Consult
3	203378	Upper link s-beam 5/10K	Consult
4	205230	Lower link 5/10K s-beam 4260M	Consult
5	148225	Eye nut 5/10K	Consult
6	204508	Collar 5/10K shackle	Consult
7	149165	Seal lower link EDPM	Consult
8	149217	Bolt clevis pin hex head 5/8 × 2.75 GRIP. 5K/10K capacity	Consult
9	15238	Pin cotter 1/8 × 1 stainless steel	Consult
10	142832	Nut hex slotted 5/8-11	Consult
11	144878	Washer flat 5/8 × 1.312	Consult
12	72031	Screw button head 1/4-20 × 5/8 stainless steel socket hd	Consult
13	117599	Screw socket head 1/4-20 × 1-1/2 stainless steel	Consult
14	128799	Screw set 1/4-20 × 3/8 stainless steel	Consult
15	146322	Filter millipore	Consult

REPLACEMENT PARTS

MSI-4260M Marine

Midsection Assembly



REPLACEMENT PARTS