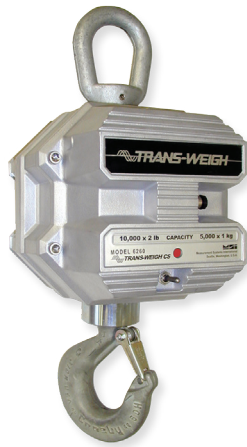


MSI-6260CS

Front Casting Assembly



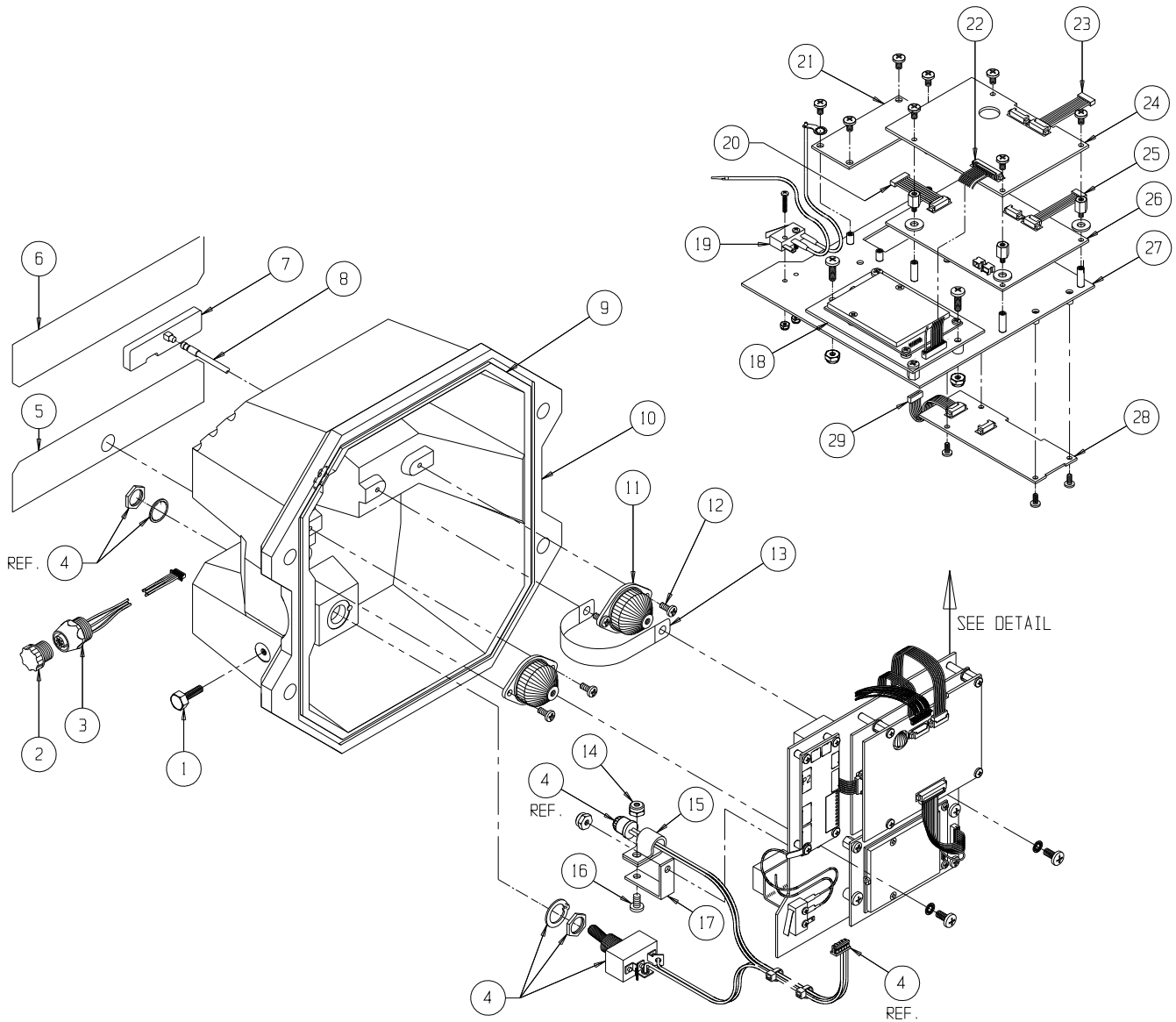
Part Number/Price

Item #	Part #	Description	Price
1	142591	Screw, seal, 8-32 x .4375 stainless steel	Consult
2	143352	Closure cap, connector, male	Consult
3	148733	Connector assembly, serial I/O interface	Consult
4	137819	Switch, LED assembly	Consult
5	148689	Label, descriptive	Consult
6	150094	Label, descriptive	Consult
7	143454	Antenna, 2.4 Ghz	Consult
8	148691	Cable assembly, RF antenna	Consult
9	149724	O-Ring	Consult
10	150421	Casting	Consult
11	143688	Shock mount	Consult
12	146602	Screw, 6-32 x 5/16 pan head, stainless steel	Consult
13	139844	Ground strap	Consult
14	146627	Nut, Hex, 8-32 nyloc, stainless steel	Consult
15	143075	Clamp, cable	Consult
16	146608	Screw, 8-32 x 7/16, pan head, stainless steel	Consult
17	143076	Bracket angel	Consult
18	138304	PCA with 2450 modem	Consult
19	138609	Cable assembly cal switch	Consult
20	148990	Cable assembly power supply to adapter	Consult
21	137519	PCA, connector adapter	Consult
22	149085	Cable assembly, micro-controller	Consult
23	148614	Cable assembly, A/D micro-controller	Consult
24	148547	PCA, micro-controller	Consult
25	148869	Cable assembly, A/D to power supply	Consult
26	148982	PCA, wide input power supply	Consult
27	148676	Mounting plate, electronic assembly	Consult
28	148548	PCA, high resolution A/D	Consult
29	148872	Cable assembly, A/D to adapter	Consult

REPLACEMENT PARTS

MSI-6260CS

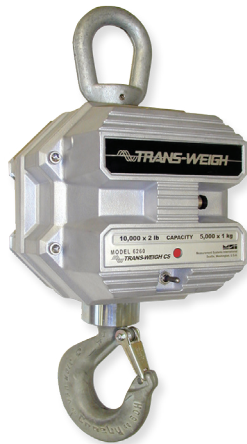
Front Casting Assembly



REPLACEMENT PARTS

MSI-6260CS

Midsection Assembly (500 - 10,000 lb) (S-Beam Load Cells)



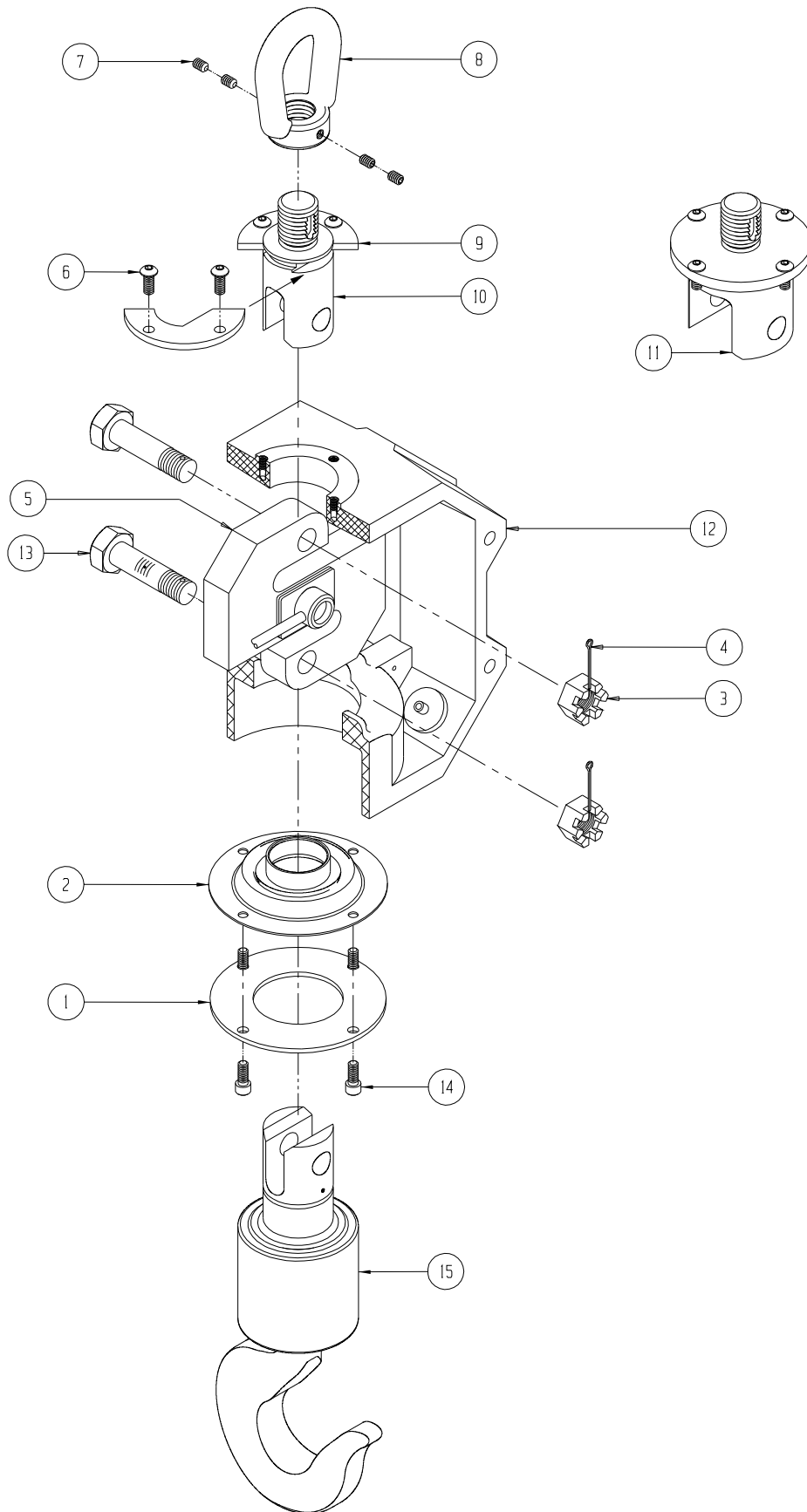
Part Number/Price

Item #	Part #	Description	Price
1	148259	Collar, 500/2K	Consult
1	149168	Collar, 5/10K	Consult
2	149710	Seal, 500/2K	Consult
2	149165	Seal, 5/10K	Consult
3	142832	Nut, hex	Consult
4	15238	Cotter pin	Consult
5	138665	Load cell assembly, 500	Consult
5	138666	Load cell assembly, 2K	Consult
5	138667	Load cell assembly, 5K	Consult
5	138668	Load cell assembly, 10K	Consult
6	72031	Screw, button head, 1/4-20 x 5/8, stainless steel	Consult
7	128799	Screw set, 1/4-20 x 3/8, stainless steel	Consult
8	139795	Eye nut, lifting, 500/2K	Consult
8	148225	Eye nut, lifting 5/10K	Consult
9	148274	Collar, top (2 pcs.)	Consult
10	148271	Link, upper, 500/2K	Consult
11	149126	Link, upper, 5/10K	Consult
12	150519	Casting, mid section, 500/2K	Consult
12	149175	Casting, mid section, 5/10K	Consult
13	148457	Bolt, clevis, 500/2K	Consult
13	149217	Bolt, clevis, 5/10K	Consult
Not Shown	144878	Washer, flat 5/8, must go with 5/10K bolt (4 places)	Consult
14	145990	Screw, socket head, 1/4-20 x 5/8, stainless steel	Consult
15	135043	Hook assembly, swivel, 500/2K	Consult
	143236	Latch, safety (fits 500787-0001 hook with hole)	Consult
15	134523	Hook assembly, swivel, 5/10K	Consult
	143233	Latch, safety (fits 500297-0001 hook with hole)	Consult

REPLACEMENT PARTS

MSI-6260CS

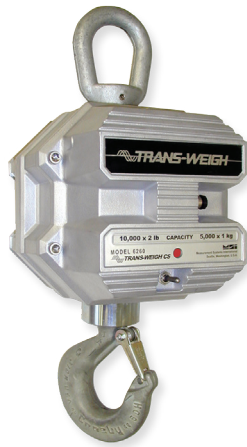
Midsection Assembly (500 - 10,000 lb) (S-Beam Load Cells)



REPLACEMENT PARTS

MSI-6260CS

Midsection Assembly (20 & 30,000 lb)



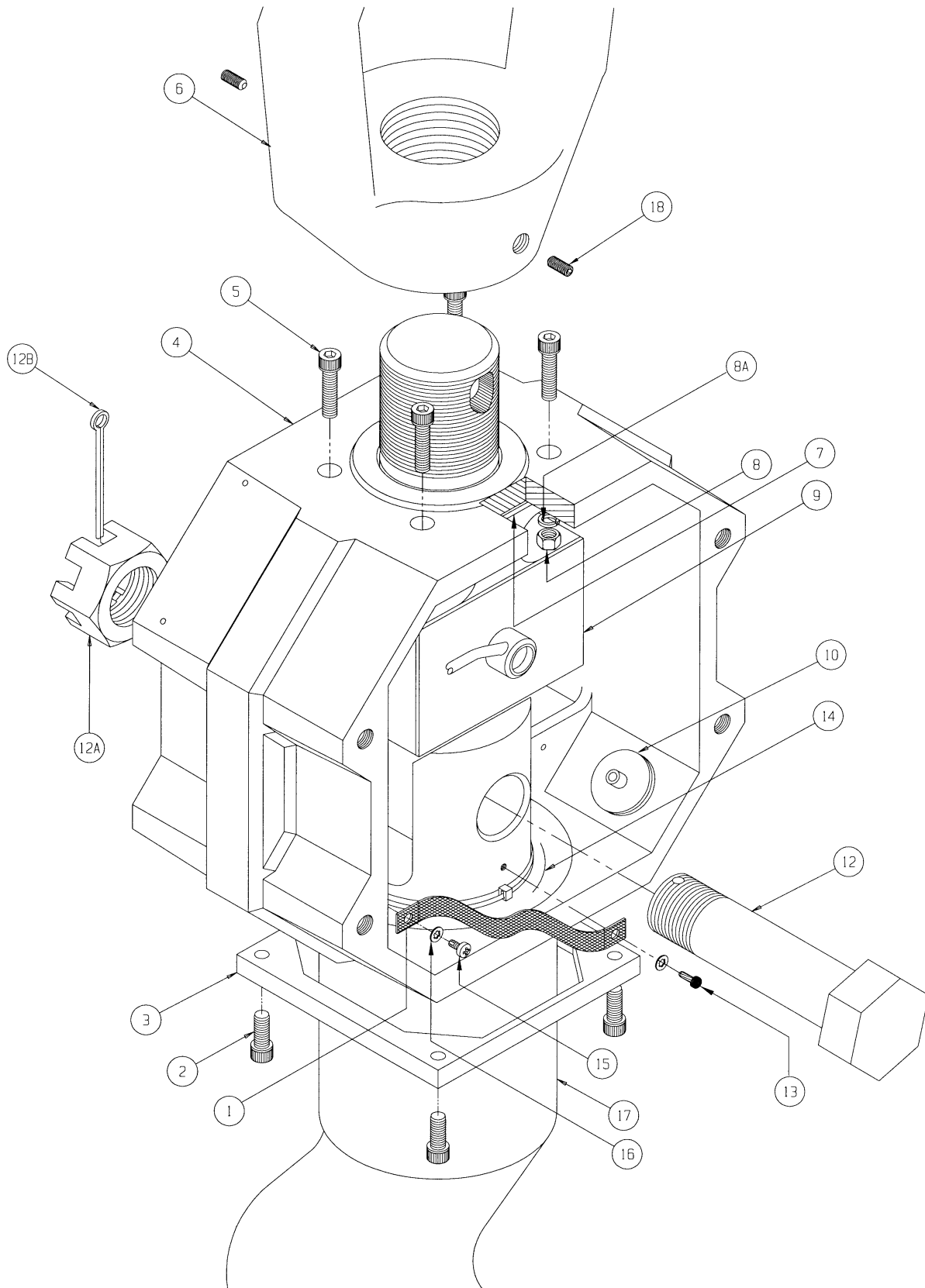
Part Number/Price

Item #	Part #	Description	Price
1	139843	Ground strap	Consult
2	145990	Screw, socket head, 1/4-20 × 5/8, stainless steel	Consult
3	149958	Collar, lower	Consult
4	150523	Casting	Consult
5	81405	Screw, socket head, 1/4-20 × 1, stainless steel	Consult
6	148110	Eye, lifting	Consult
7	149976	Seal, upper	Consult
8	14642	Nut, hex, 1/4-20, stainless steel	Consult
8A	15148	Washer split	Consult
9	134566	Load cell assembly	Consult
10	146322	Filter	Consult
12	148458	Bolt	Consult
12A	142833	Nut	Consult
12B	142186	Cotter pin	Consult
13	142110	Screw, drive, #6 × .25, stainless steel	Consult
14	149957	Seal, lower	Consult
15	146102	Screw, pan head, 6-32 × 1/4, Phillips, stainless steel	Consult
16	81280	Washer, internal tooth, #6, stainless steel	Consult
17	134938	Hook assembly, swivel 20,000 lb	Consult
	110661	Latch, safety (fits 500729-0001 hook with hole)	Consult
	142138	Latch, safety (fits 500729-0001 hook)	Consult
17	134939	Hook assembly, swivel 30,000 lb	Consult
	143235	Latch, safety (fits 500729-0002 hook with hole)	Consult
	142139	Latch, safety (fits 500729-0002 hook)	Consult
18	146081	Screw set, 3/8-24 × 3/4, stainless steel	Consult

REPLACEMENT PARTS

MSI-6260CS

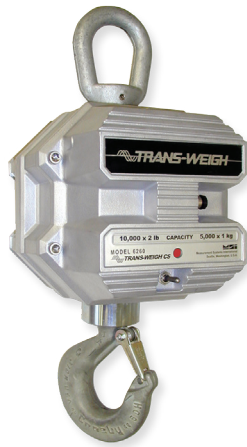
Midsection Assembly (20 & 30,000 lb)



REPLACEMENT PARTS

MSI-6260CS

Midsection Assembly (50 & 70,000 lb)



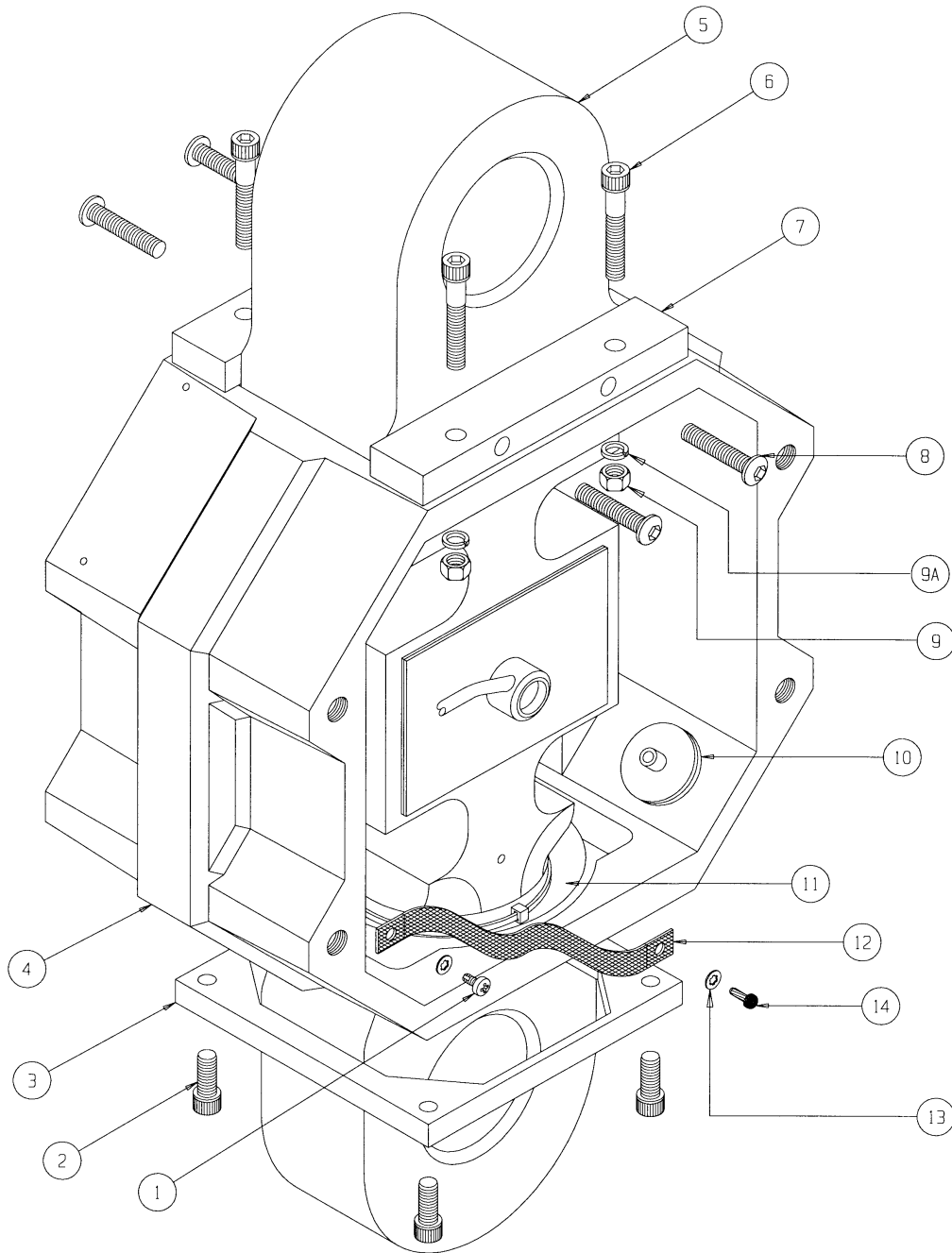
Part Number/Price

Item #	Part #	Description	Price
1	146102	Screw, pan head, 6-32 x 1/4, Phillips, stainless steel	Consult
2	145990	Screw, socket head, 1/4-20 x 5/8, stainless steel	Consult
3	149958	Collar	Consult
4	150525	Casting	Consult
5	134716	Load cell assembly	Consult
6	117599	Bolt, socket head, 1/4-20 x 1-1/2, stainless steel	Consult
7	148213	Collar	Consult
7	149964	Collar (pre 1992 only)	Consult
8	145982	Screw, button head, 1/4-20 x 1, stainless steel	Consult
9	14642	Nut, hex, 1/4-20, stainless steel	Consult
9A	15148	Washer split	Consult
10	146322	Filter	Consult
11	149957	Seal	Consult
12	139843	Ground strap	Consult
13	81280	Washer, internal tooth, #6, stainless steel	Consult
14	142110	Screw, drive, #6 x .25, stainless steel	Consult
Not Shown	151356	Shackle, 25T 50,000 lb	Consult
Not Shown	146335	Shackle, 40T 70,000 lb	Consult
Not Shown	135035	Hook, swivel, 50,000 lb	Consult
	142179	Latch, safety (fits 500782-0001 hook)	Consult
Not Shown	135036	Hook, swivel, 70,000 lb	Consult
	142180	Latch, safety (fits 500782-0002 hook)	Consult

REPLACEMENT PARTS

MSI-6260CS

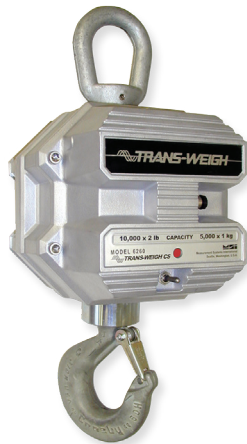
Midsection Assembly (50 & 70,000 lb)



REPLACEMENT PARTS

MSI-6260CS

Battery Casting Assembly



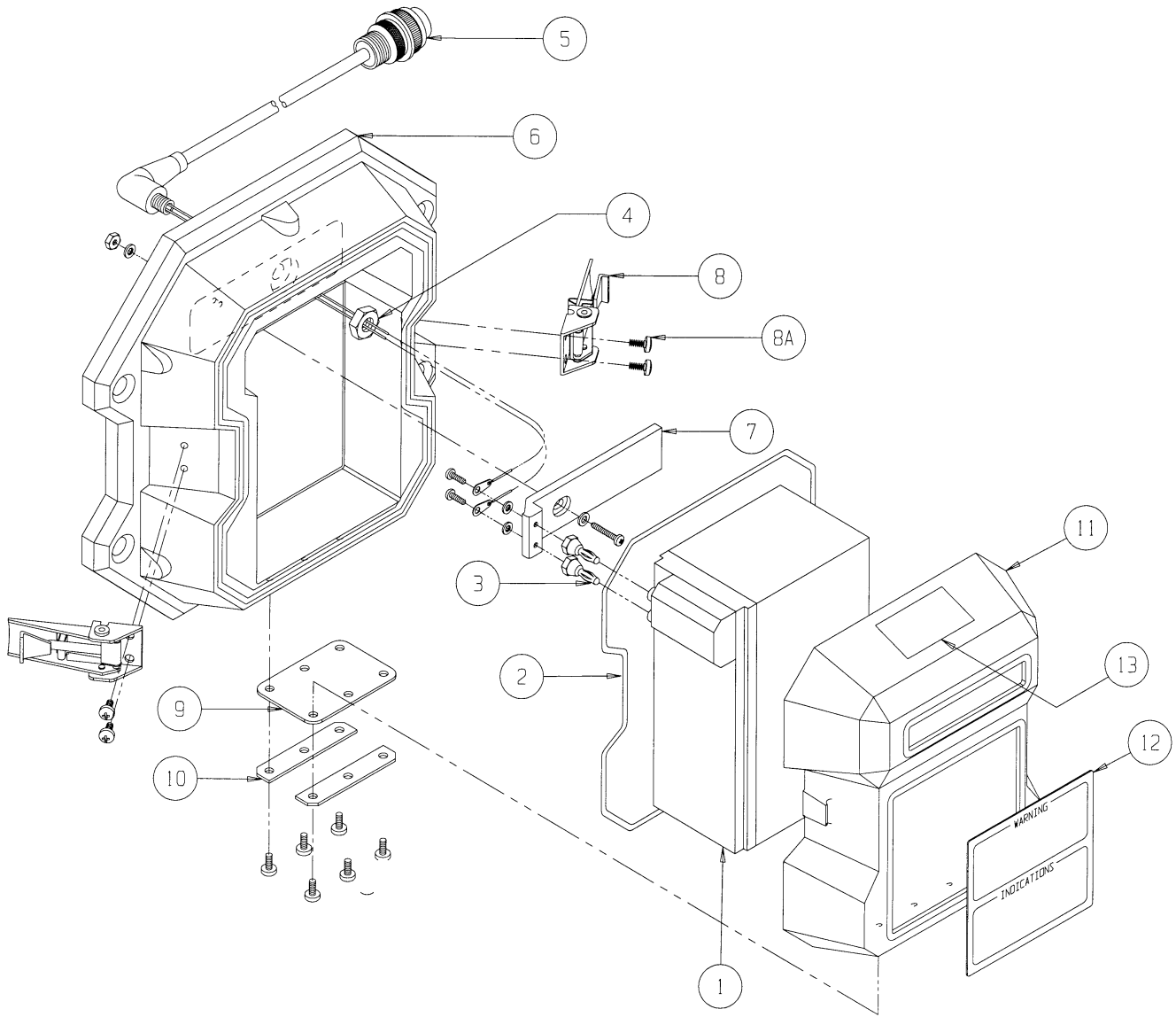
Part Number/Price

Item #	Part #	Description	Price
1	150367	Battery assembly	Consult
2	149723	O-Ring	Consult
3	147825	Plug, banana	Consult
4	114485	Nut, jam, 5/16-24, hex, stainless steel	Consult
5	133795	Cable assembly, power	Consult
6	150517	Casting	Consult
7	150073	Connector, battery	Consult
8A	146107	Screw	Consult
8	145934	Latch	Consult
9	149719	Hinge, rubber	Consult
10	149718	Plate, hinge	Consult
11	150516	Casting	Consult
12	137353	Label, RF battery warning, 2450 modem	Consult
12	137352	Label, RF battery warning, 2400 modem	Consult
13	137351	Label, FCC	Consult
14	145990	Screw socket head 1/4-20 x 5/8 stainless steel	Consult
Complete Battery Casting Assembly			
-	141254	Battery casting assembly	Consult
-	141100	Battery casting assembly, 115 or 230 VAC, 50/60 Hz	Consult

REPLACEMENT PARTS

MSI-6260CS

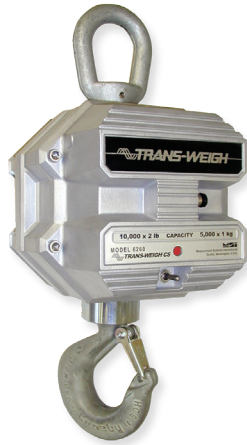
Battery Casting Assembly



REPLACEMENT PARTS

MSI-6260CS

Universal Battery Charger Assembly



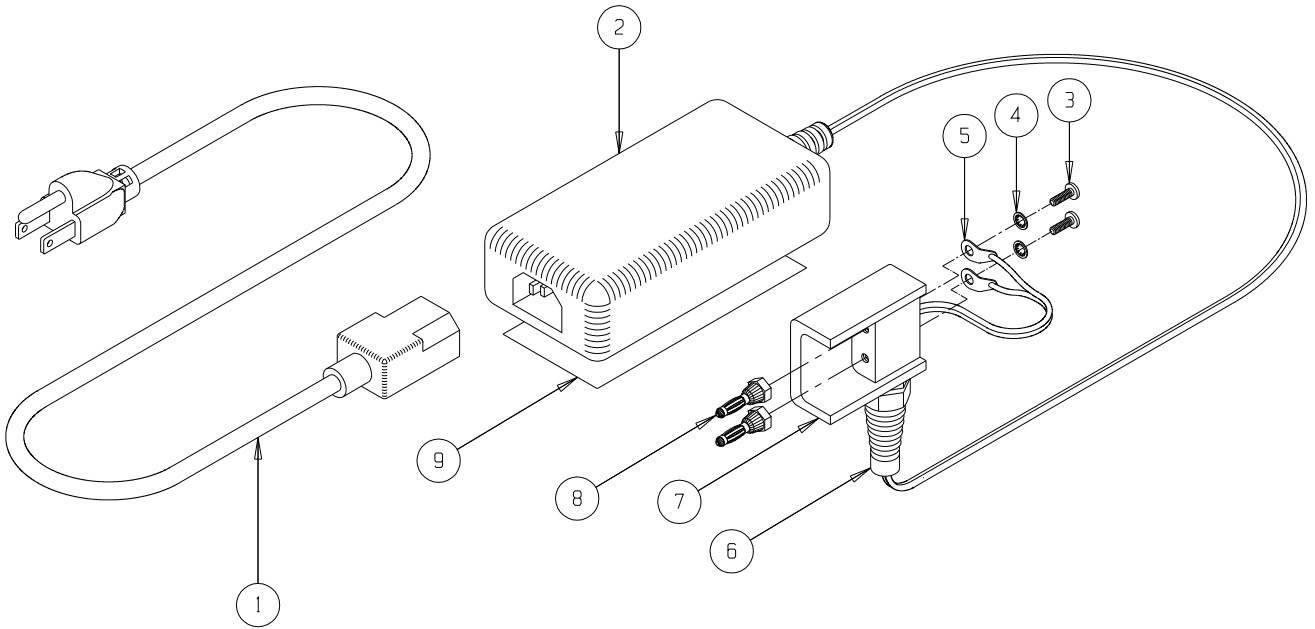
Part Number/Price

Item #	Part #	Description	Price
1	143974	Power cord, North America	Consult
1	143981	Power cord, United Kingdom (not shown)	Consult
1	143979	Power cord, European (not shown)	Consult
1	143980	Power cord, Australian (not shown)	Consult
2	144890	Universal power adapter	Consult
3	146603	Screw, pan head 6-32 x 3/8, Std., stainless steel	Consult
4	81280	Washer internal tooth #6, stainless steel	Consult
5	141635	Lug, solder #6, copper	Consult
6	144936	Feed through	Consult
7	149434	Housing battery plug	Consult
8	147825	Plug, banana	Consult
9	139369	Label, descriptive 12V	Consult
-	138006	Universal battery charger 115/230 VAC, 50/60 Hz (North American plug configuration is standard; contact factory if alternate is required)	Consult

REPLACEMENT PARTS

MSI-6260CS

Universal Battery Charger Assembly



REPLACEMENT PARTS