

MSI-6360

Front Casting Assembly



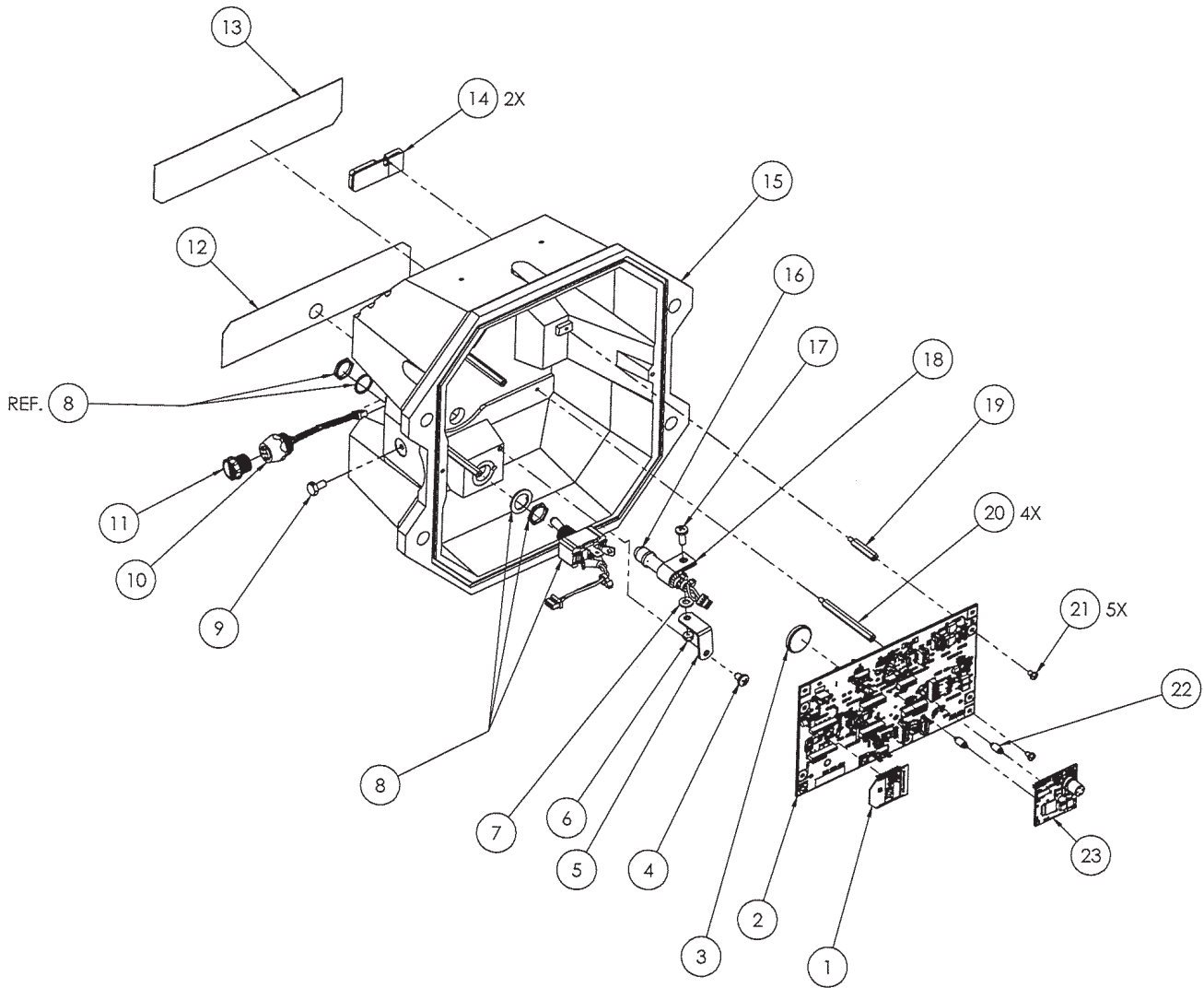
Part Number/Price

Item #	Part #	Description	Price
1	144773	Radio module Xbee-pro	Consult
2	212607	PCA 6360 no display	Consult
3	71408	Battery, lithium CR2032	Consult
4	146606	Screw pan head 8-32 x 1/4 stainless steel	Consult
5	215863	Bracket angle steel #8	Consult
6	146629	Nut, hex 8 to 32 nyloc stainless steel	Consult
7	146531	Washer flat #8 stainless steel	Consult
8	215842	Cable assembly, toggle switch	Consult
9	142591	Screw seal dr hh 8 to 32	Consult
10	139449	Cable assembly, comm serial	Consult
11	143352	Conn closure cap IP68	Consult
12	215973	LED/capacity label 6360	Consult
13	215948	Label descriptive 6360	Consult
14	201823	Antenna 2.4 GHz patch cable	Consult
15	215840	Front casting machined	Consult
16	215912	Cable assembly, red/green LED	Consult
17	146608	Screw pan head 8-32 x 7/16 Phillips	Consult
18	143075	Cable clamp .375 diameter	Consult
19	215938	Standoff 3/16 hex x 0.875	Consult
20	215935	Standoff 3/16 hex x 2.00	Consult
21	146593	Screw pan head 4-40 x 3/16 Phillips	Consult
22	144929	Spacer miniature dual	Consult
23	153429	PCS ScaleCore3 1-channel	Consult

REPLACEMENT PARTS

MSI-6360

Front Casting Assembly



REPLACEMENT PARTS

MSI-6360

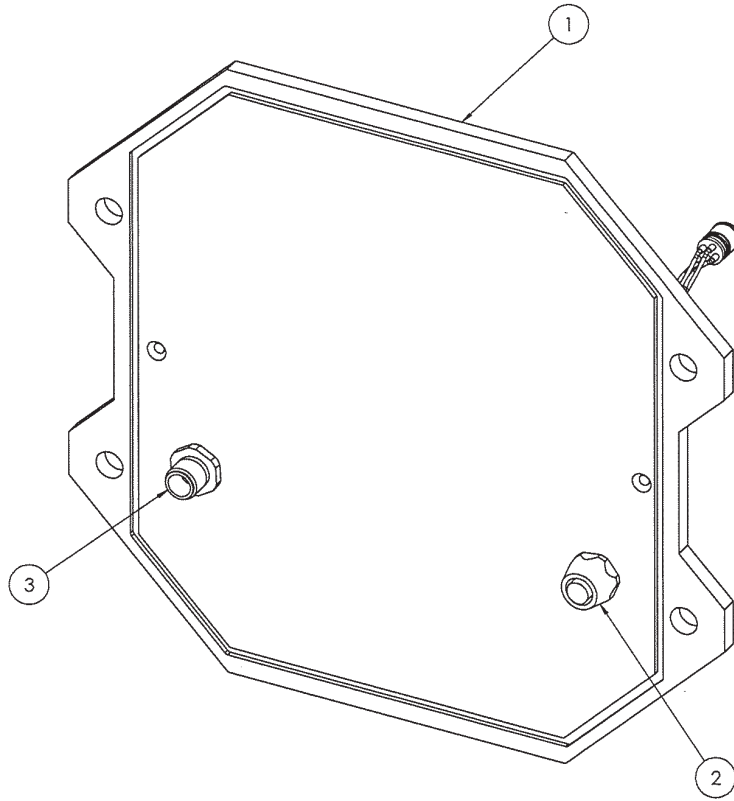
Bulkhead Assembly



Part Number/Price

Item #	Part #	Description	Price
1	215839	Front bulkhead	Consult
2	139471	Cable assembly, bulkhead load	Consult
3	139472	Cable assembly, bulkhead	Consult

REPLACEMENT PARTS



REPLACEMENT PARTS

MSI-6360

Midsection Assembly (500 to 10,000 lb)



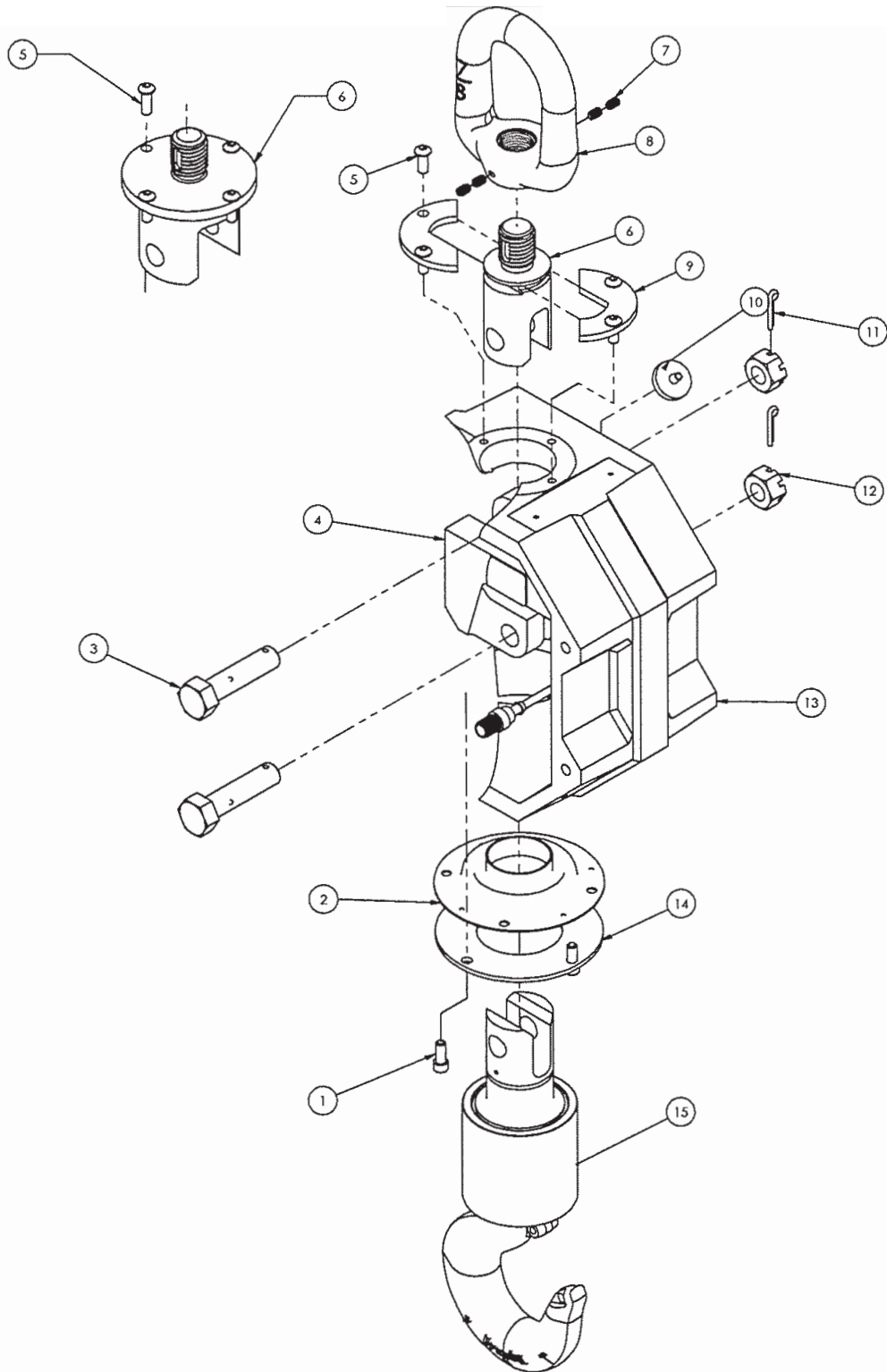
Part Number/Price

Item #	Part #	Description	Price
1	145990	Screw socket head 1/4-20 × 5/8 stainless steel	Consult
2	149710	Seal link lower (500 lb to 2K)	Consult
2	149165	Seal link lower (5 to 10 K)	Consult
3	148457	Bolt clevis hex head 5/8 × 1.75 (500 lb to 2 K)	Consult
3	149217	Bolt clevis hex head 5/8 × 1.75 (5 to 10 K)	Consult
4	138661	Load cell assembly (500 lb)	Consult
4	138662	Load cell assembly (1 to 2 K)	Consult
4	138663	Load cell assembly (5 K)	Consult
4	138664	Load cell assembly (10 K)	Consult
5	72031	Screw	Consult
6	148271	Upper link (500 lb to 2 K)	Consult
6	149126	Upper link (5 to 10 K)	Consult
7	128799	Screw, set 1/4-20 × 3/8	Consult
8	139795	Eye nut #7 (500 lb to 2 K)	Consult
8	148225	Eye nut #7 (5 to 10 K)	Consult
9	148274	Collar top half (500 lb to 2 K)	Consult
10	146322	Filter millipore	Consult
11	15238	Cotter pin	Consult
12	142832	Nut hex slotted 5/8-11	Consult
13	150519	Casting (500 lb to 2 K)	Consult
13	149175	Casting (5 to 10 K)	Consult
14	148259	Collar (500 lb to 2 K)	Consult
14	149168	Collar (5 to 10 K)	Consult
15	135043	Swivel hook assembly (500 lb to 2 K)	Consult
15	143236	Latch, safety (500 lb to 2 K)	Consult
15	134523	Swivel hook assembly (5 to 10 K)	Consult
15	143233	Latch, safety (5 to 10 K)	Consult

REPLACEMENT PARTS

MSI-6360

Midsection Assembly (500 to 10,000 lb)



REPLACEMENT PARTS

MSI-6360

Midsection Assembly (20 & 30,000 lb)



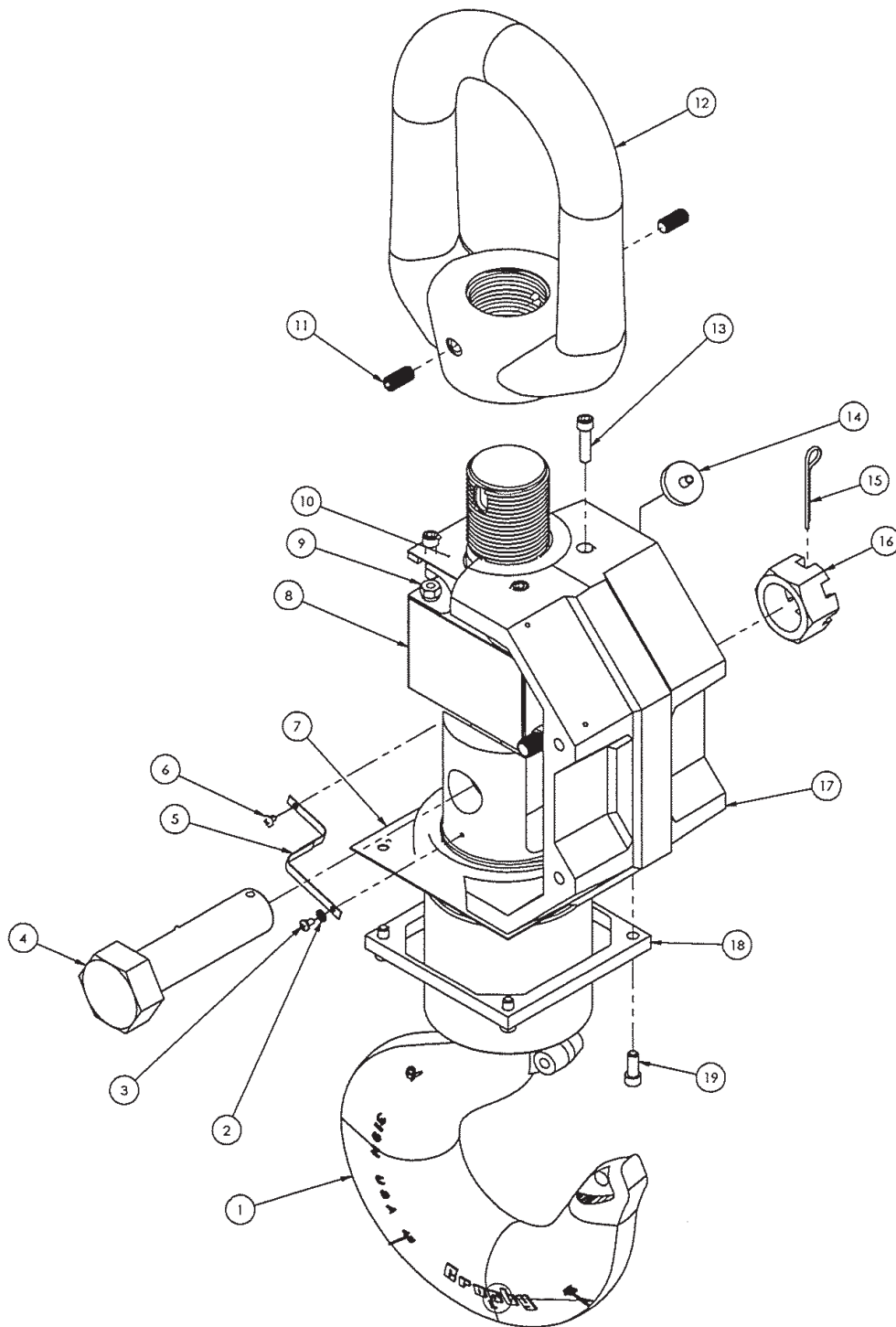
Part Number/Price

Item #	Part #	Description	Price
1	134938	Swivel hook assembly (20 K)	Consult
1	134939	Swivel hook assembly (30 K)	Consult
1	110661	Latch assembly (20 K)	Consult
1	143235	Latch assembly (30 K)	Consult
2	81280	Washer, lock no 6 type A	Consult
3	146601	Screw pan head 6-32 × 1/4 Phillips	Consult
4	148458	Bolt clevis hex head 1.125-7	Consult
5	139843	Ground strap cable	Consult
6	146101	Screw pan head 6-32 × 3/16 type	Consult
7	149957	Boot lower (20 to 70 K)	Consult
8	137763	Load cell assembly (20/30 K)	Consult
9	146631	Nut hex 1/4-20 nyloc stainless steel	Consult
10	149976	Gasket upper (20/30 K)	Consult
11	146081	Screw set 3/8-24 × 3/4	Consult
12	148110	Eye nut (20/30 K) galvanized	Consult
13	81405	Screw, socket head 1/4-20	Consult
14	146322	Filter millipore	Consult
15	142186	Cotter pin 3/16 × 2 stainless steel	Consult
16	142833	Nut hex slotted 1.125 - 7	Consult
17	150523	Mid-section machined	Consult
18	149958	Collar bottom (20 to 50 K)	Consult
19	145990	Screw socket head 1/4-20 x 5/8 stainless steel	Consult

REPLACEMENT PARTS

MSI-6360

Midsection Assembly (20 & 30,000 lb)



REPLACEMENT PARTS

MSI-6360

Midsection Assembly (50 & 70,000 lb)



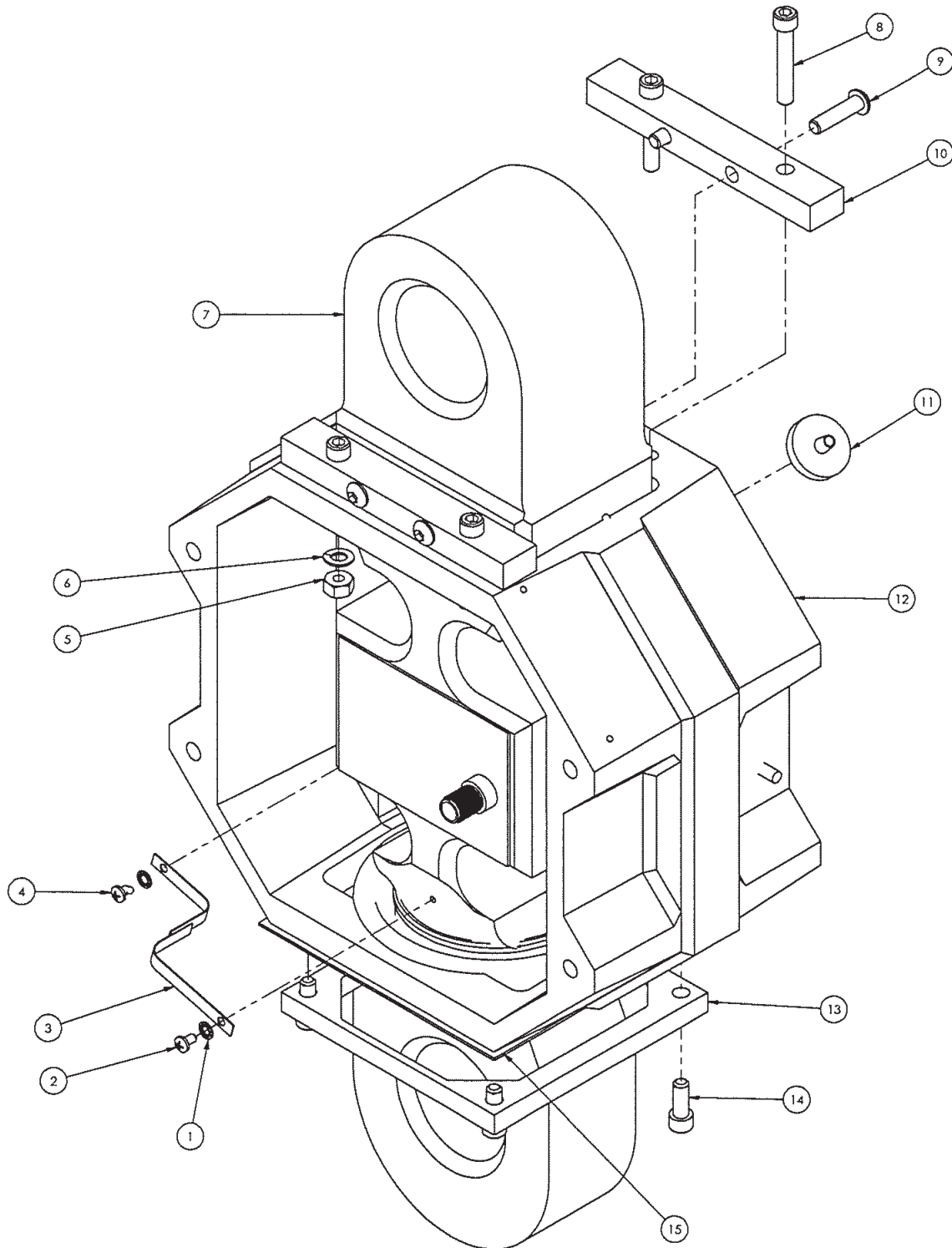
Part Number/Price

Item #	Part #	Description	Price
1	81280	Washer, lock no 6 type A	Consult
2	146601	Screw pan head 6-32 x 1/4 Phillips	Consult
3	139843	Ground strap cable	Consult
4	146101	Screw pan head 6-32 x 3/16 type	Consult
5	14642	Nut, 1/4-20NC hex stainless steel	Consult
6	15148	Washer, lock 1/4 regular	Consult
7	137764	Load cell assembly 50/70 K	Consult
8	117599	Screw, cap 1/4-20NC x 1-1/2	Consult
9	145982	Screw button head 1/4-20 x 1 stainless steel	Consult
10	148213	Collar top 50/100 K	Consult
11	146322	Filter millipore	Consult
12	150525	Mid-section machined	Consult
13	149958	Collar bottom 20-50 K	Consult
14	145990	Screw slotted head 1/4-20 x 5/8 stainless steel	Consult
15	149957	Boot lower 20-70 K	Consult
	135035	50 K hook, swivel	Consult
	142179	50 K latch	Consult
	135036	70 K hook	Consult
	142180	70 K latch	Consult
	151356	50 K shackle 25 ton	Consult
	146335	70 K shackle 40 ton	Consult

REPLACEMENT PARTS

MSI-6360

Midsection Assembly (50 & 70,000 lb)



REPLACEMENT PARTS

MSI-6360

Rear Battery Casting Assembly



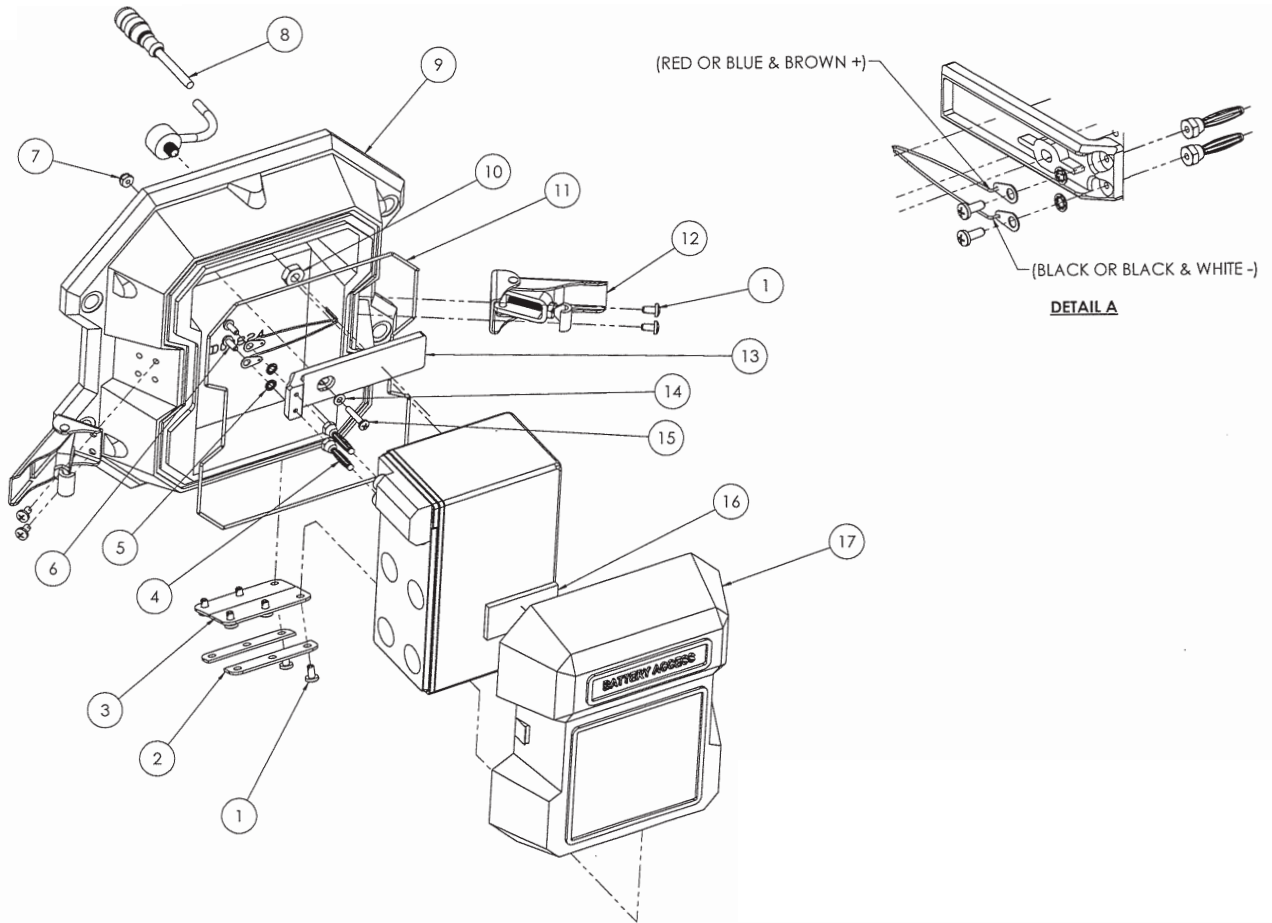
Part Number/Price

Item #	Part #	Description	Price
1	146108	Screw pan head 8-32 × 3/8 type	Consult
2	149718	Plate aluminum battery	Consult
3	149719	Fastener battery door	Consult
4	147825	Plug banana jack	Consult
5	81280	Washer, lock no 6 type A	Consult
6	146603	Screw pan head 6-32 × 3/8 Phillips	Consult
7	146627	Nut hex 6-32 nyloc stainless steel	Consult
8	133798	Cable assembly, power	Consult
9	150517	Battery well machined	Consult
10	146661	Nut hex 5/16-18 jam stainless steel	Consult
11	149723	O-ring assembly battery	Consult
12	145934	Latch camloc	Consult
13	150073	Conn block	Consult
14	55124	Washer, flat #6	Consult
15	127036	Screw, machine 6-32 × 3/4	Consult
16	146640	Pad poron 2.0 × 1.0	Consult
17	150516	Battery door machined	Consult

REPLACEMENT PARTS

MSI-6360

Rear Battery Casting Assembly



REPLACEMENT PARTS