

MSI-8004HD

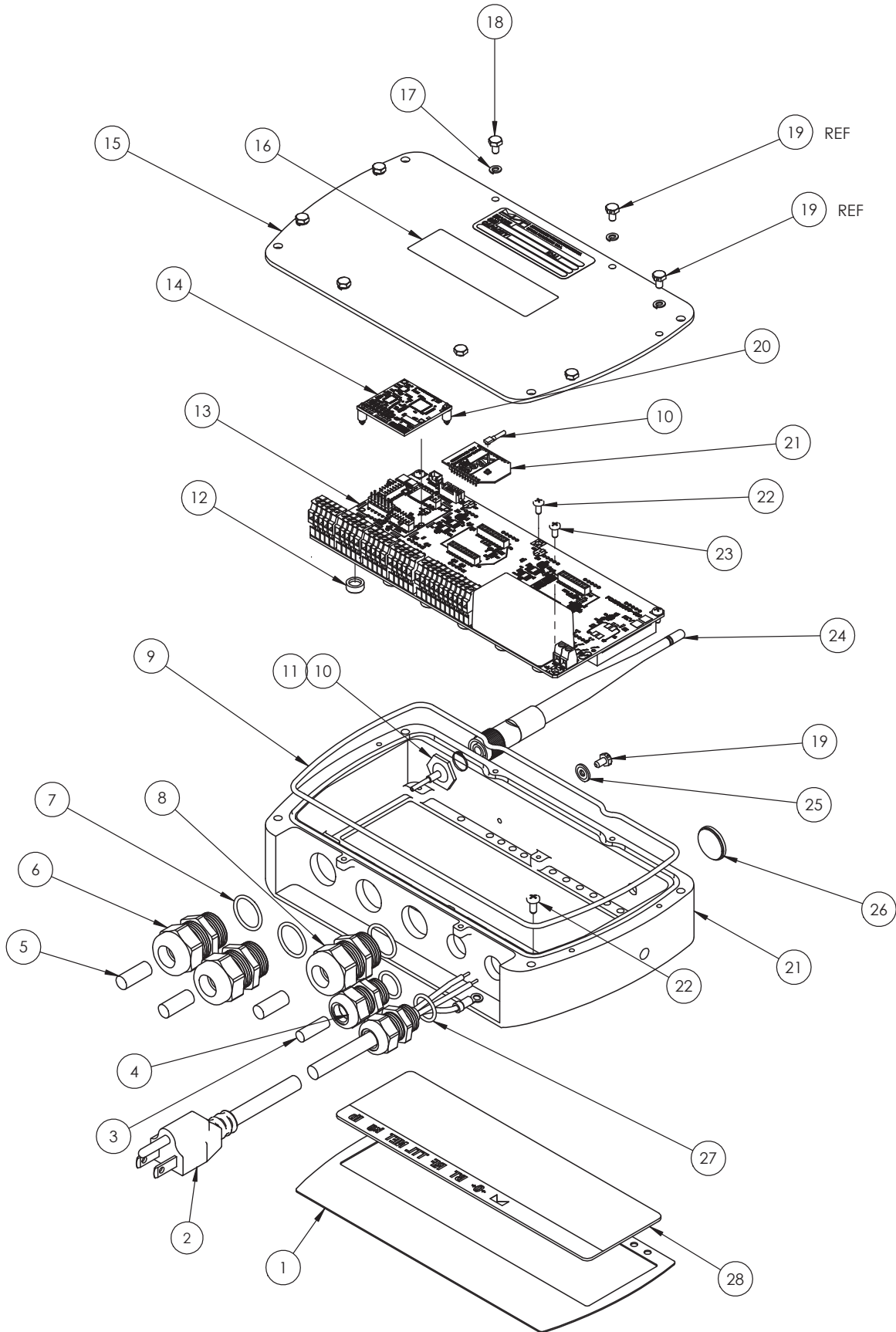
Gen 1 Indicator AC



Part Number/Price

Item #	Part #	Description	Price
1	178180	Overlay, standard	Consult
2	160518	Power cord AC in	Consult
3	141991	Pin round acetal 0.25 in diameter	Consult
4	141593	Conn feed through liquid	Consult
5	142554	Pin round acetal 0.312 in diameter	Consult
6	177368	Conn, feed through, liquid	Consult
7	177366	O-ring, PG13, Buna-N	Consult
8	177364	Conn feed through	Consult
9	153110	O-ring 7-1/4 × .103	Consult
10	152051	Cable assembly RF coax	Consult
11	153793	O-ring 1/2 ld × .070	Consult
12	177362	Key cap, SMS switches	Consult
13	176192	PCA 8004 indicator green/red	Consult
14	153431	PCA ScaleCore3 4-channel	Consult
15	152034	Cover fixed mount 8000	Consult
16	159855	Overlay TranSend FCC	Consult
17	146538	Washer split lock stainless steel #6	Consult
18	146022	Bolt hex head 6-32 × 1/4 cap stainless steel	Consult
19	143271	Screw mach hex head	Consult
20	144929	Spacer miniature dual	Consult
21	144773	Radio module Xbee-pro	Consult
22	144537	Screw LKG PCH pan head 6-32	Consult
	142233	Screw, pan head, locking, 4-40 × 3/16, Phillips, stainless steel	Consult
23	146543	Screw pan head 4-40 × 1/4 nylon	Consult
24	143283	Antenna 2.4 GHz	Consult
25	143272	Washer seal #6 steel	Consult
26	158438	Plug diameter 0.750 in with adhesive	Consult
27	177363	O-ring, PG9, Buna-N	Consult
28	177579	LED filter med grey	Consult

REPLACEMENT PARTS



REPLACEMENT PARTS

MSI-8004HD

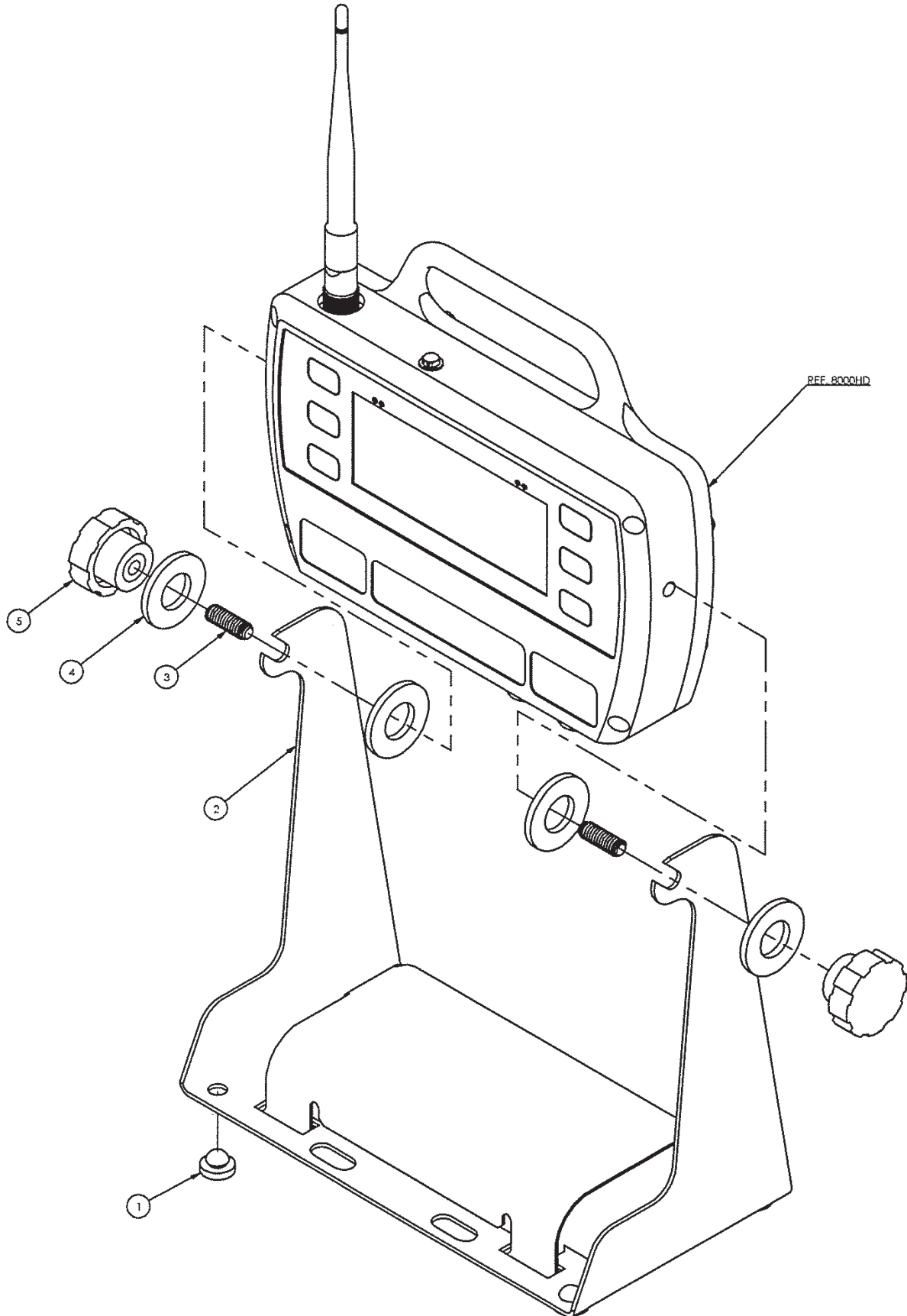
Gen 1 Optional Kit Tilt Stand



Part Number/Price

Item #	Part #	Description	Price
1	143224	Bumper molded sbr .078	Consult
2	155172	Tilt stand 8000HD	Consult
3	155192	Screw set 5/16-18 x 7/8	Consult
4	146200	Washer flat nylon .315 ID	Consult
5	143879	Knob fluted 5/16-18	Consult

REPLACEMENT PARTS



REPLACEMENT PARTS

MSI-8004HD

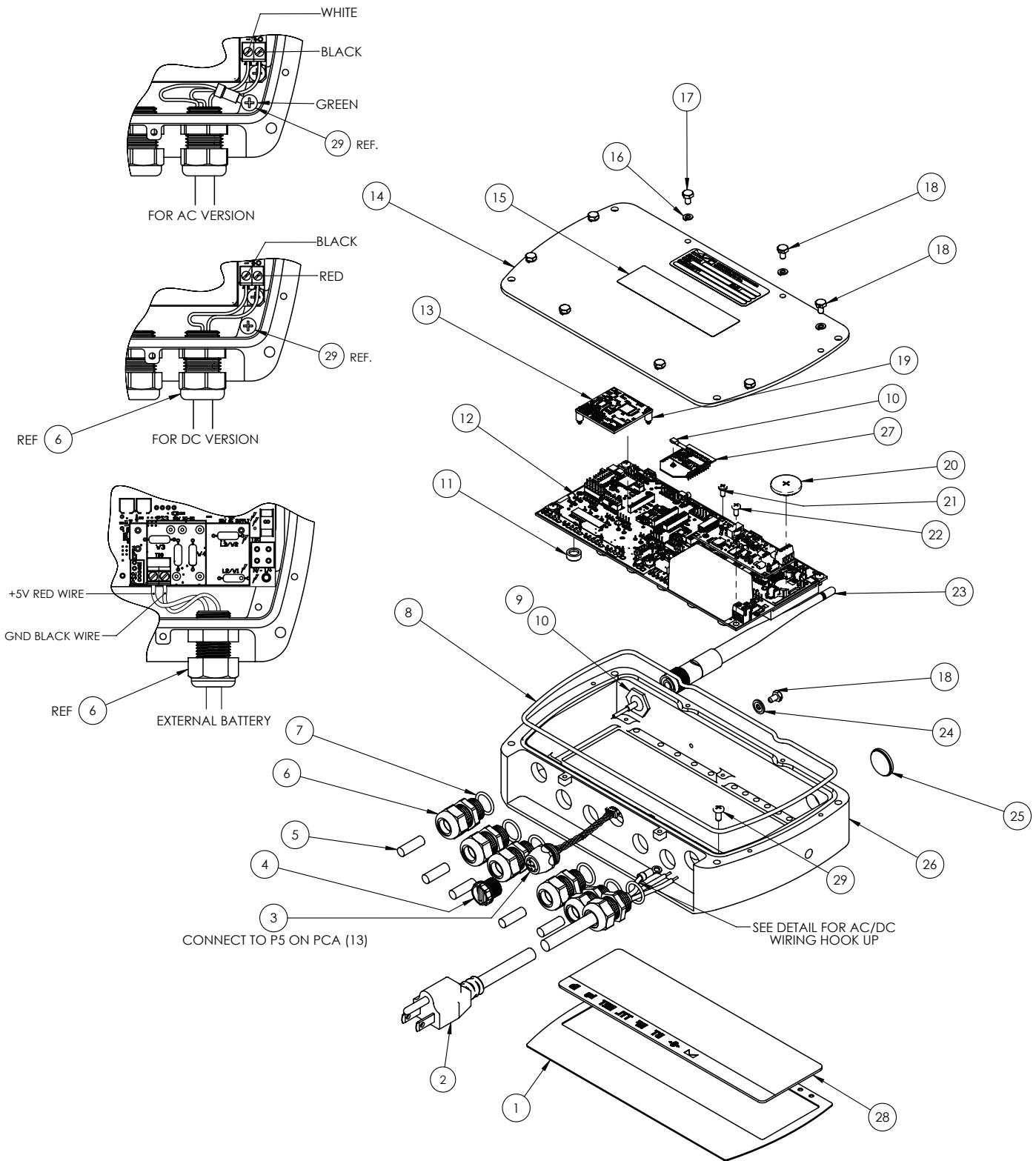
Gen 2 Display AC



Part Number/Price

Item #	Part #	Description	Price
1	221264	Overlay, gen 2	Consult
2	160518	Power cord AC in	Consult
3	139449	Cable assembly comm serial	Consult
4	143352	Conn closure cap IP68	Consult
5	141991	Pin round acetel 0.75 in diameter	Consult
6	141593	Conn, feed through, liquid	Consult
7	177363	O-ring, PG9, Buna-N	Consult
8	153110	O-ring 7-1/4 x .103	Consult
9	153793	O-ring 1/2 Id x .070	Consult
10	159205	Cable assembly RF coax	Consult
11	177362	Key cap, SMS switches	Consult
12	214574	PCA 8004 RF display green/red gen 2	Consult
13	153428	PCA ScaleCore3 no a/d	Consult
14	152034	Cover, fixed mount 8000	Consult
15	159855	Overlay TranSend FCC	Consult
16	146538	Washer split lock, stainless steel #6	Consult
17	146022	Bolt HH 6-32 x 1/4 cap, stainless steel	Consult
18	143271	Screw mach hex head	Consult
19	144929	Spacer miniature dual	Consult
20	71408	Battery, lithium CR2032	Consult
21	142233	Screw, machine, 4-40 x 3/16, pan head, Phillips, stainless steel	Consult
22	146543	Screw, ph 4-40 x 1/4 nylon slot	Consult
23	143283	Antenna 2.4 GHz	Consult
24	143272	Washer seal #6 steel, zinc plated	Consult
25	158438	Plug dia .750 w/adhesive, .10 thick	Consult
26	220573	Enclosure machined 8004, gen 2	Consult
27	144773	Radio module Xbee-pro	Consult
28	177579	LED filter med grey	Consult
29	144537	Screw, lkg pch ph 6-32 x 1/4, Phillips, stainless steel	Consult

REPLACEMENT PARTS



REPLACEMENT PARTS