

MSI-9000 CellScale

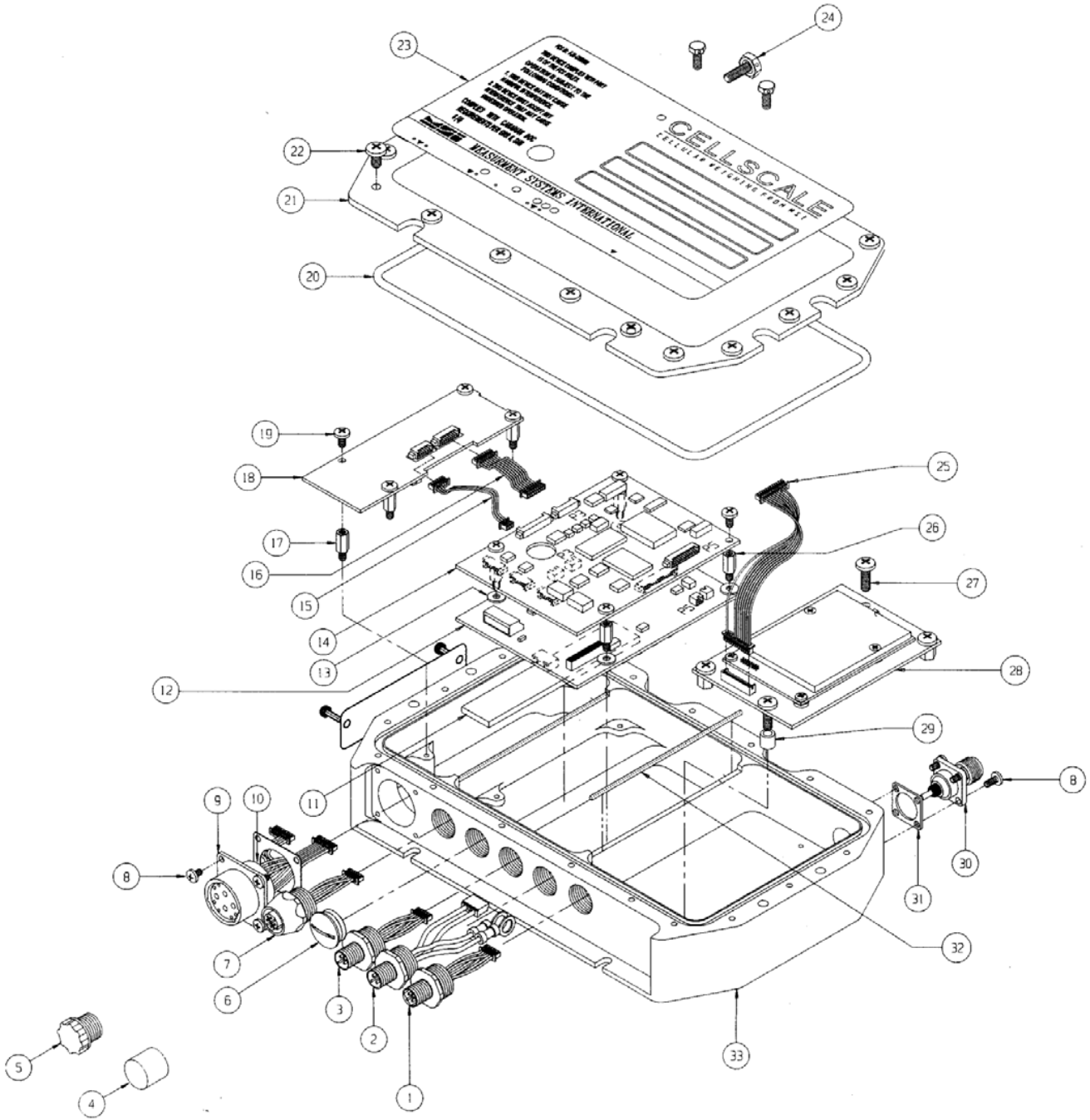


Part Number/Price

Item #	Part #	Description	Price
1	148989	Connector assembly, power & switch input	Consult
2	148811	Cable assembly, power input	Consult
3	148583	Connector assembly, serial I/O interface, male	Consult
4	143353	Closure cap, connector, female	Consult
5	143352	Closure cap, connector, male	Consult
6	143746	Plug, domed PG9	Consult
7	148584	Connector assembly, serial I/O interface, female	Consult
8	144536	Screw, pan head, 4-40 × 1/4, Phillips, stainless steel	Consult
9	148580	Connector assembly, L/C input	Consult
10	142500	Gasket flange, 1.125 square	Consult
11	143309	Pad, 3.6 × 0.5 × 0.1	Consult
12	137534	AC power supply PCA	Consult
13	143384	Washer, flat #4	Consult
14	148547	Micro-Controller PCA	Consult
15	148868	Cable assembly, A/D to power supply	Consult
16	148612	Cable assembly, A/D micro-controller	Consult
17	142948	Standoff, hex, 3/8 Lg, 4-40 × 0.188, aluminum	Consult
18	148548	High resolution PCA, A/D	Consult
19	128088	Screw, pan head, 4-40 × 1/4, Phillips, stainless steel	Consult
20	148488	O-ring assembly	Consult
21	148566	Cover, enclosure	Consult
22	142197	Screw, 6-32 × 5/16 machined, stainless steel	Consult
23	148934	Label, descriptive	Consult
24	142591	Screw, seal, 8-32 × 0.4375, FDA, stainless steel	Consult
25	149085	Cable assembly, micro-controller to 2450 modem	Consult
26	143306	Standoff, hex, 0.312 Lg, 4-40 × 0.188, aluminum	Consult
27	146605	Screw, pan head, 6-32 × 1/2, Phillips, stainless steel	Consult
28	138304	PCA with 2450 modem	Consult
29	144227	Spacer, round, 1/4 diameter aluminum, #6 CL × 1/4 LG	Consult
30	148680	Cable assembly, antenna	Consult
31	143336	Gasket flange, 0.689 square	Consult
32	143307	Gasket, foam filled mesh, EMI	Consult
33	148683	Enclosure, CellScale	Consult

REPLACEMENT PARTS

MSI-9000 CellScale



REPLACEMENT PARTS