

MSI-9020 CellScale

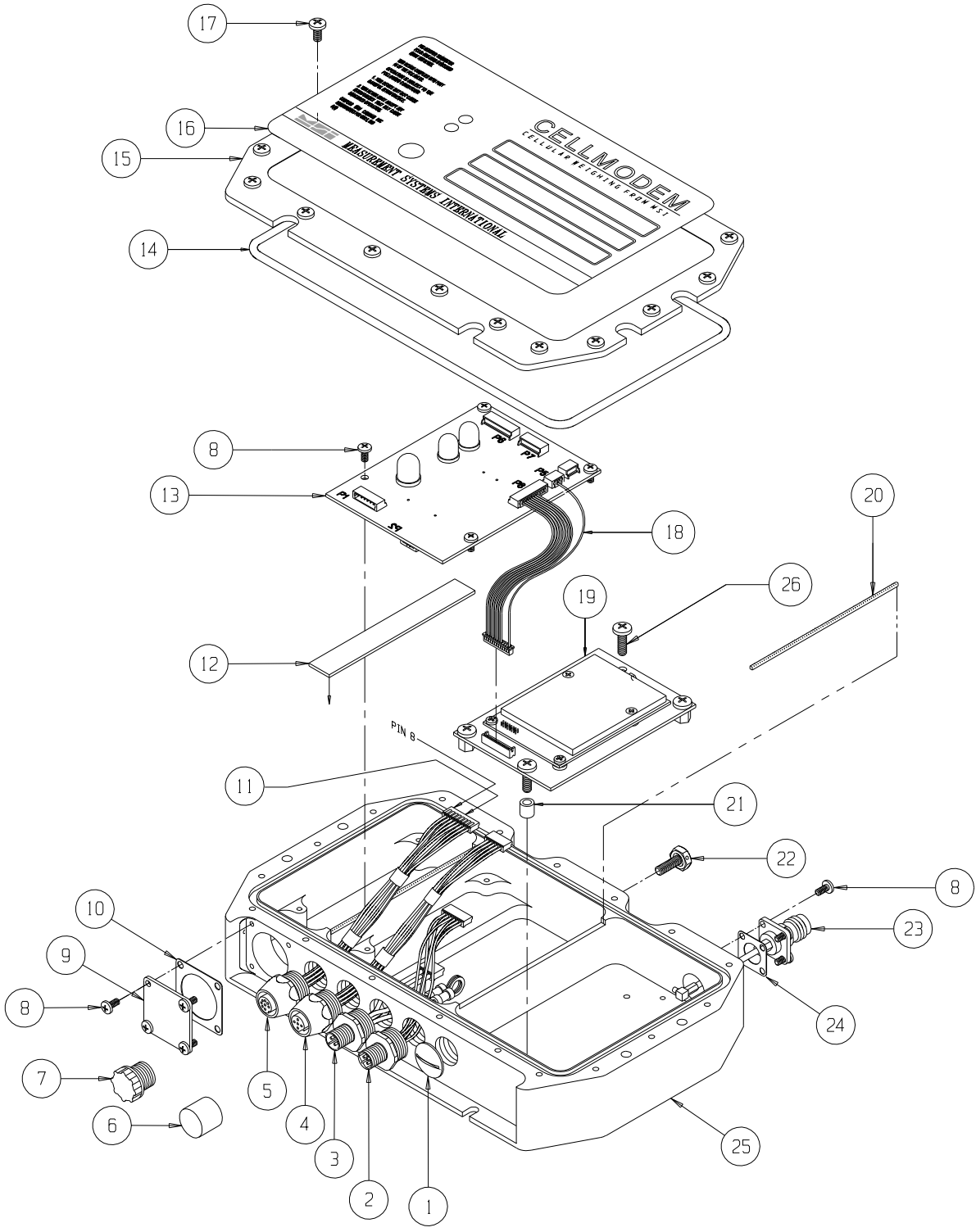


Part Number/Price

Item #	Part #	Description	Price
1	143746	Closure cap, connector	Consult
2	148988	Connector assembly, power & switch input	Consult
3	148811	Connector assembly, power input	Consult
4	149000	Connector assembly, RS422	Consult
5	137503	Connector assembly, RS232	Consult
6	143353	Closure cap, connector, female	Consult
7	143352	Closure cap, connector, male	Consult
8	144536	Screw, pan head, 4-40 x 1/4, Phillips, stainless steel	Consult
9	148630	Plate, cover	Consult
10	142500	Gasket	Consult
11	143696	Connector, housing	Consult
12	143309	Pad, thermal, conductive, 3.6 x .5 x .1	Consult
13	137528	PCA, power supply, AC	Consult
14	148488	O-Ring assembly	Consult
15	148566	Cover, enclosure	Consult
16	148794	Label, descriptive	Consult
17	142197	Screw, pan head, 6-32 x 5/16, Phillips, stainless steel	Consult
18	149125	Cable assembly, power supply to 2450 adapter	Consult
19	138306	PCA, with 2450 modem assembly	Consult
20	143307	Gasket, foam filled mesh, EMI	Consult
21	144227	Spacer, #6, 1/4	Consult
22	142591	Screw, seal, 8-32 x .4375, stainless steel	Consult
23	148680	Cable assembly, antenna	Consult
24	143336	Gasket, flange	Consult
25	148683	Enclosure	Consult
26	146605	Screw, pan head, 6-32 x 1/2, Phillips, stainless steel	Consult

REPLACEMENT PARTS

MSI-9020 CellScale



REPLACEMENT PARTS