

Dyna-Clamp

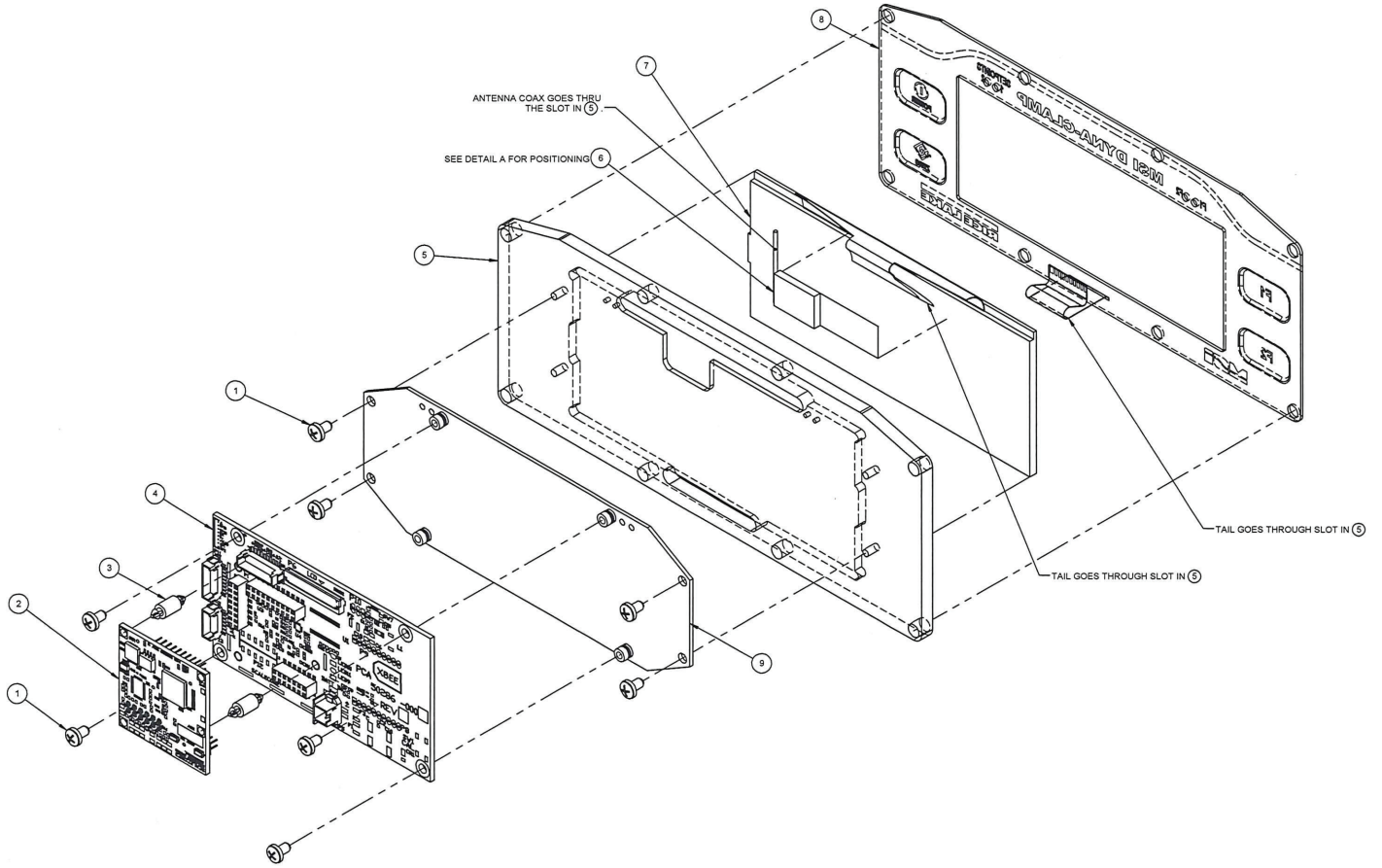
Display Assembly



Part Number/Price

Item #	Part #	Description	Price
1	142233	Screw, pan head, locking, 4-40 × 3/16, Phillips, stainless steel	Consult
2	153431	PCA scalecore 3 4-channel with board to board header (not field installable)	Consult
3	144929	Spacer miniature dual locking 6 mm long	Consult
4	151918	PCA 6-digit LCD 7300	Consult
5	189582	Front plate LCD mount	Consult
6	197204	Antenna, 2.4 GHz, 2dBi with u.fl cable, 100 mm	Consult
7	186658	LCD module dual line 4.5 × 2.0 in (6 primary display digits) line tension check lcd display	Consult
8	191640	Overlay with dome switches	Consult
9	191813	Mounting plate electronics	Consult

REPLACEMENT PARTS



REPLACEMENT PARTS

Dyna-Clamp

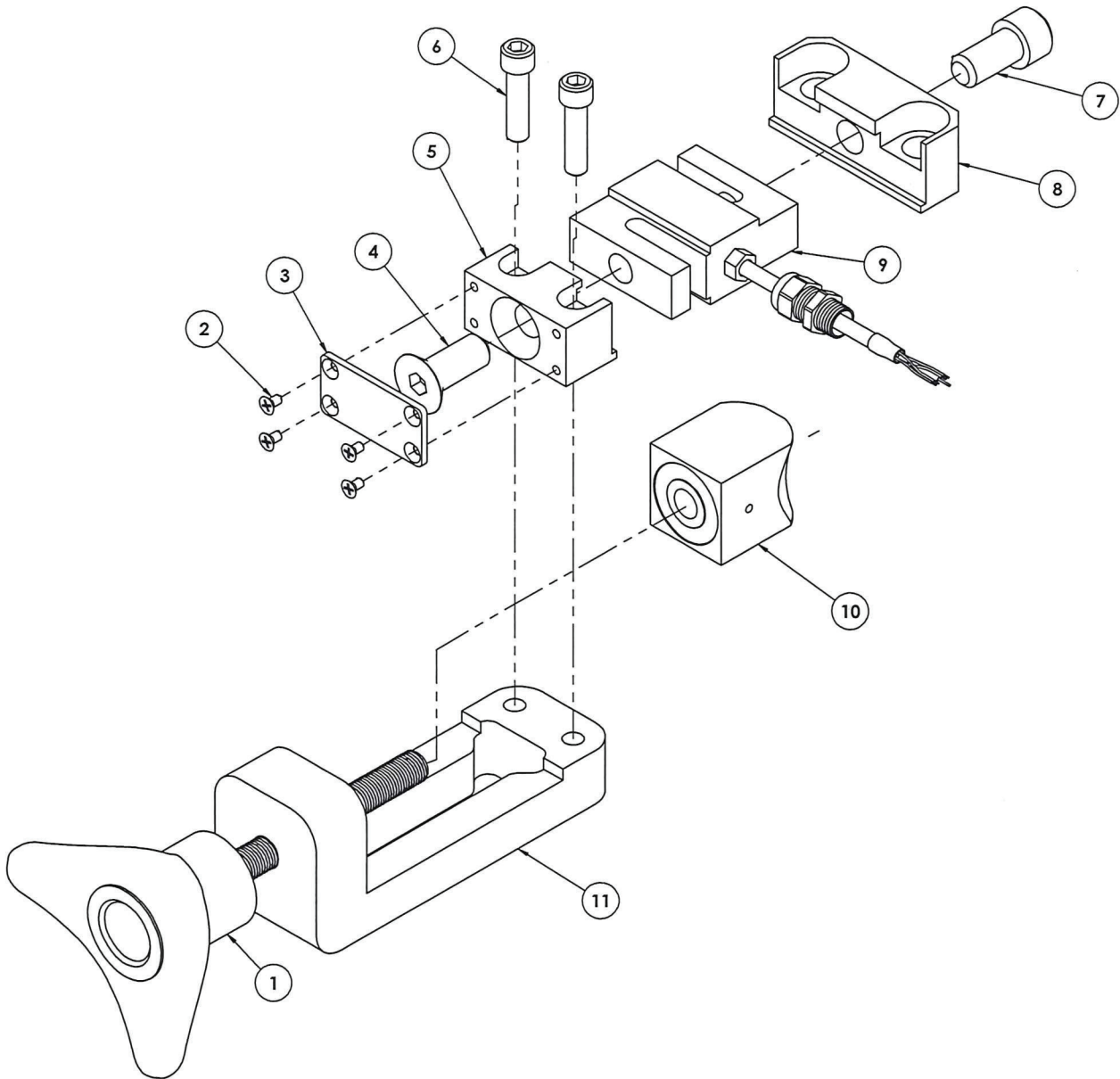
Rod Assembly



Part Number/Price

Item #	Part #	Description	Price
1	196441	Handle and drive rod assembly	Consult
2	146560	Screw flat head 6-32 x 1/4 Phillips stainless steel	Consult
3	192405	Striker plate	Consult
4	192718	Screw cap flat head 82 deg 1/2-20 unf x 1.25 lg hex drive alloy steel black oxide	Consult
5	191072	Lower load cell mount	Consult
6	192747	Screw socket head 5/16-18 uc x 1.25 lg alloy steel black oxide cap screw	Consult
7	192746	Screw socket head 1/2-20 unf x 1.00 lg alloy steel black oxide cap screw	Consult
8	191071	Upper load cell mount	Consult
9	192740	Load cell assembly 500 lb (not field installable)	Consult
10	193410	Drive rod end assembly	Consult
11	192416	Drive block	Consult

REPLACEMENT PARTS



REPLACEMENT PARTS

Dyna-Clamp

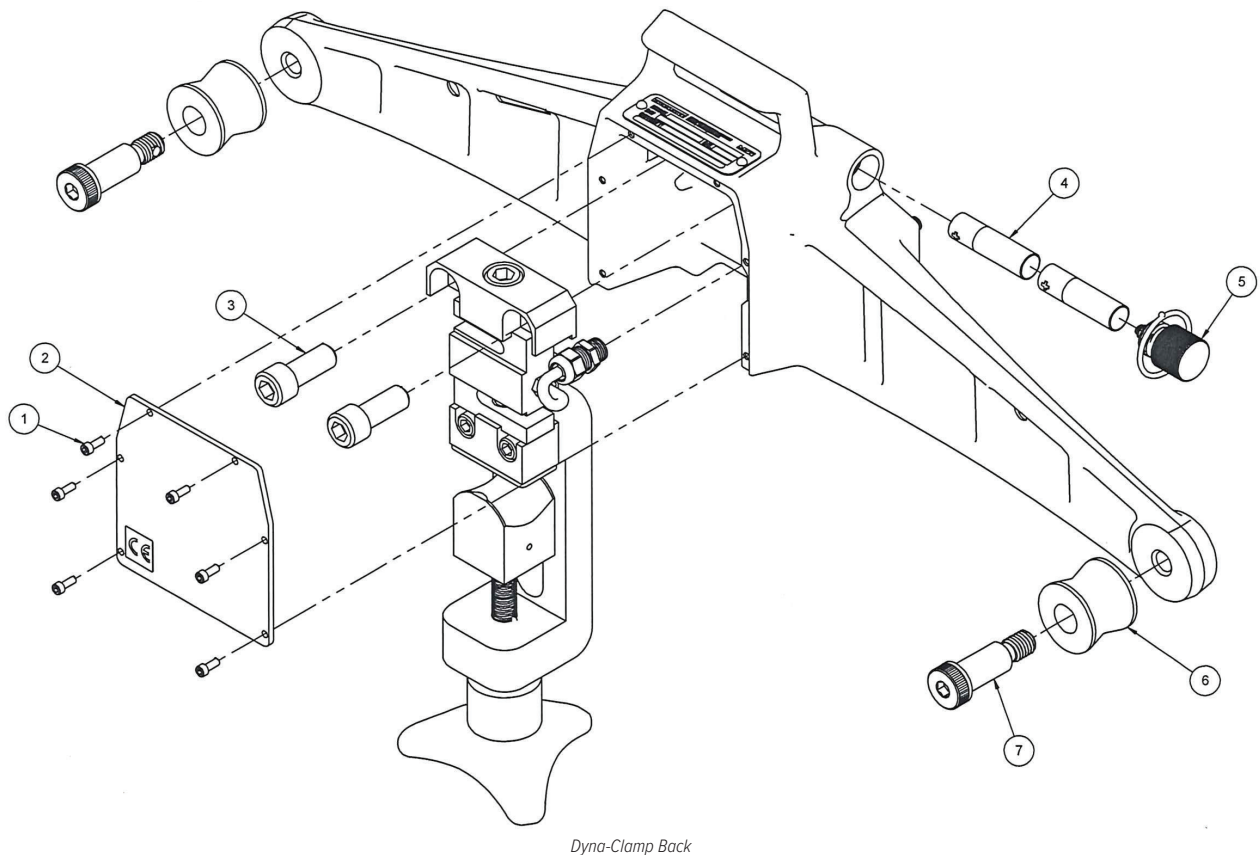
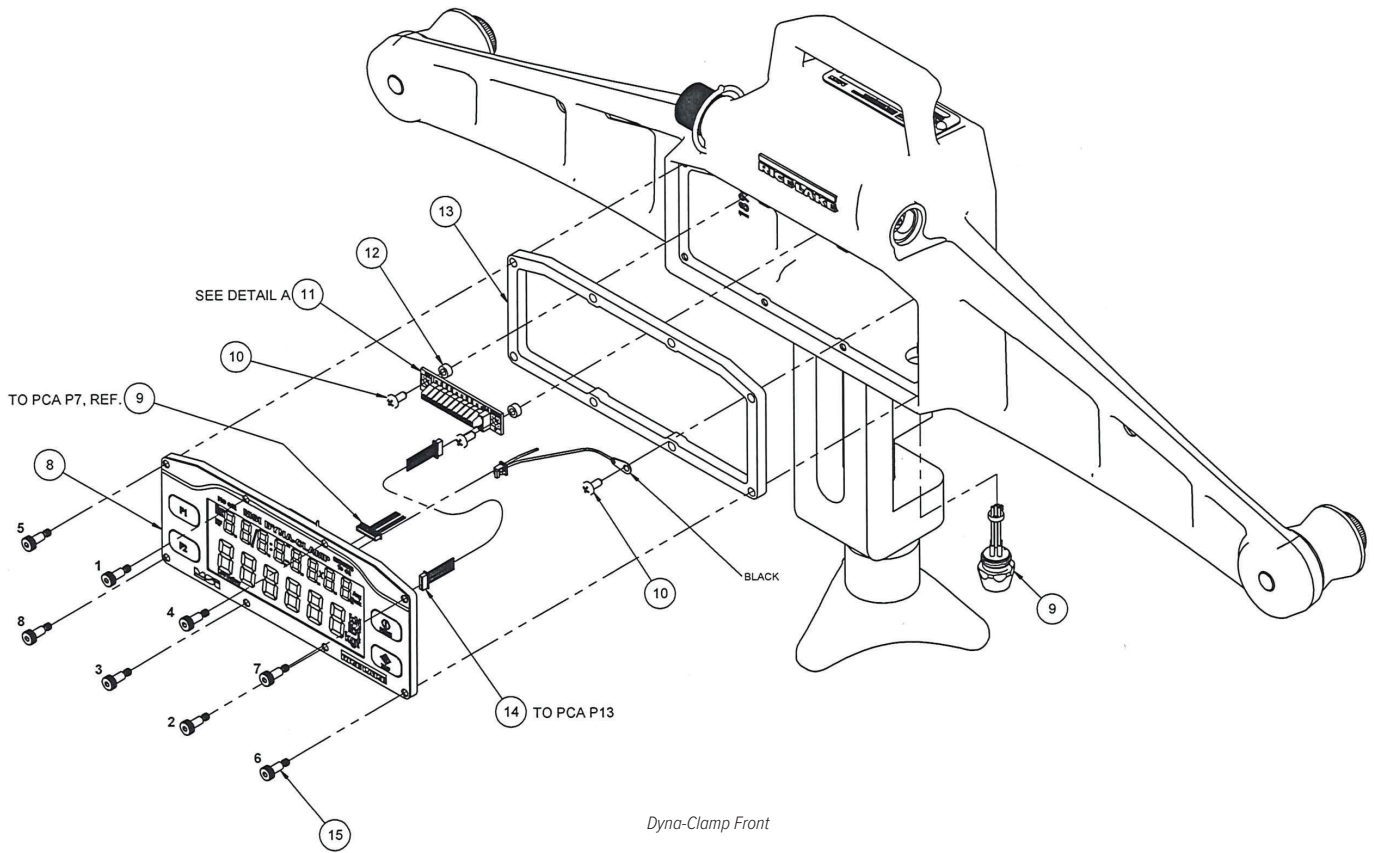
Front and Back Assembly



Part Number/Price

Item #	Part #	Description	Price
1	145988	Screw socket head 6-32 × 3/8 stainless steel	Consult
2	192406	Cover plate load train	Consult
3	146001	Screw socket head 1/2-20 × 1-1/4 pltd	Consult
4	16431	Battery, 1.5V AA alkaline pack of 8	Consult
5	191147	Battery cap assembly	Consult
6	191155	Cable roller	Consult
7	192660	Bolt shoulder 1/2-13 unc shoulder diameter 0.623-621 × 1.25 length with thread locker black oxide	Consult
8	189583	Electronics assembly LCD	Consult
9	192858	Cable assembly serial RS-232	Consult
10	142197	Screw, pan head 6-32 × 5/16 long Phillips drive stainless steel with locking patch material applied	Consult
11	158437	PCA terminal block 8000HD	Consult
12	146226	Spacer .140 in id × .125 in lg #6 clearance #4001	Consult
13	191038	Gasket display silicone	Consult
14	161622	Cable assembly int load cell term block to display board input	Consult
15	194530	Screw shoulder socket head 6-32 5/32 diameter × 5/16 long alloy steel black oxide	Consult

REPLACEMENT PARTS



REPLACEMENT PARTS