

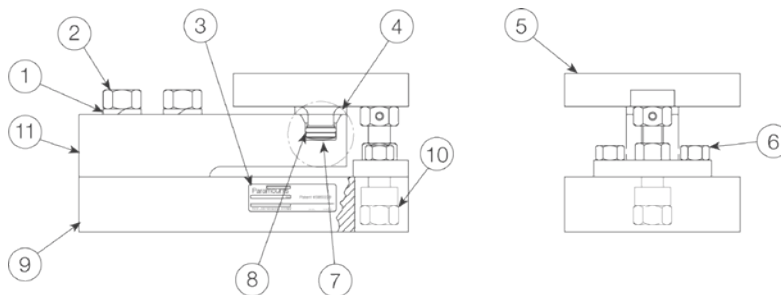
Paramounts® Mounting Assembly-Fixed Pin Mount

Mild Steel

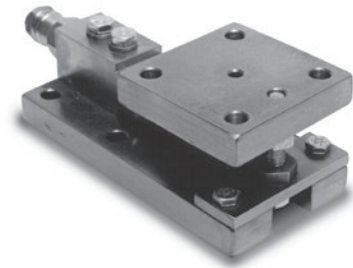
Part Number/Price

Ref#	Part#	Description	Price
	16953	Installation manual	Consult
Rated Capacity: 2.3 KN (520 lb)			
1	15167	Lock washer	Consult
2	15080	Load cell screw	Consult
3	16877	Label, Paramount	Consult
4	18332	Gasket	Consult
5	18312	Top-plate	Consult
6	15019	Washer-plate screws	Consult
7	18340	Fixed load pin	Consult
8	15325	O-ring	Consult
9	37896	Base plate	Consult
10	37891	Bolt, washer-plate and sleeve assembly	Consult
11	38215	Load cell, Flintec SB 10-2.3 KN (520 lb)	Consult
Rated Capacity: 5 KN (1,125 lb) - 23 KN (5,200 lb)			
1	15167	Lock washer	Consult
2	15080	Load cell screw	Consult
3	16877	Label, Paramount	Consult
4	18332	Gasket	Consult
5	18312	Top-plate	Consult
6	15019	Washer-plate screws	Consult
7	18340	Fixed load pin	Consult
8	15325	O-ring	Consult
9	18284	Base plate	Consult
10	18417	Bolt, washer-plate and sleeve assembly	Consult
See current load cell guide for complete line of SB4 and SB5 load cells			
	100169	Load cell, Flintec SB4 - 5 KN (1,125 lb Paramounts)	Consult
	100170	Load cell, Flintec SB4 - 10 KN (2,250 lb Paramounts)	Consult
	100171	Load cell, Flintec SB4 - 23 KN (5,200 lb Paramounts)	Consult
	100174	Load cell, Flintec SB5 - 5 KN (1,125 lb Paramounts EP)	Consult
	100175	Load cell, Flintec SB5 - 10 KN (2,250 lb Paramounts EP)	Consult
	100176	Load cell, Flintec SB5 - 20 KN (4,500 lb Paramount EP)	Consult
Rated Capacity: 50 KN (11,250 lb)			
1	15181	Lock washer	Consult
2	15097	Load cell screw	Consult
3	16877	Label, Paramount	Consult
4	18333	Gasket	Consult
5	18313	Top-plate	Consult
6	15059	Washer-plate screws	Consult
7	18341	Fixed load pin	Consult
8	15326	O-ring	Consult
9	18285	Base plate	Consult
10	18418	Bolt, washer-plate and sleeve assembly	Consult
See current load cell guide for complete line of SB4 and SB5 load cells			
	100173	Load cell, Flintec SB4 - 50 KN (11,250 lb Paramounts)	Consult
	100177	Load cell, Flintec SB5 - 50KN (11,250 lb Paramounts EP)	Consult

(See Diagram Fixed Pin Paramounts-A)

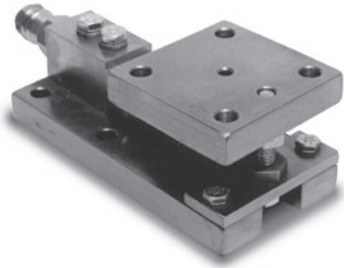


Fixed Pin
Paramounts-A



Paramounts® Mounting Assembly-Fixed Pin Mount

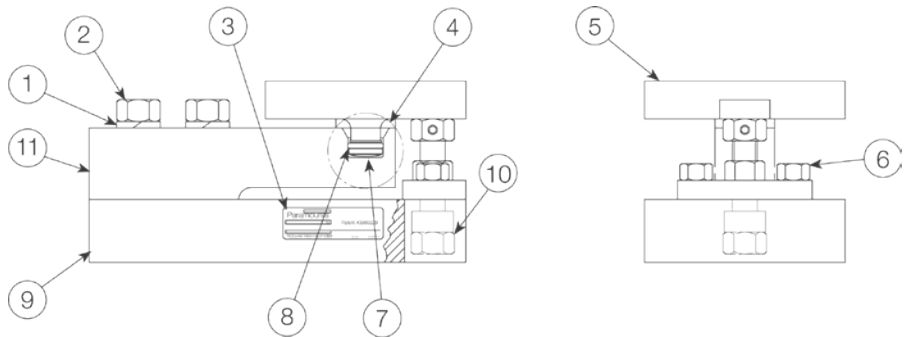
Mild Steel



Part Number/Price

Ref#	Part#	Description	Price
	16953	Installation manual	Consult
Rated Capacity: 100 KN (22,500 lb)			
1	15185	Lock washer	Consult
2	15102	Load cell screw	Consult
3	16877	Label, Paramount	Consult
4	18334	Gasket	Consult
5	18314	Top-plate	Consult
6	15091	Washer-plate screws	Consult
7	18342	Fixed load pin	Consult
8	15327	O-ring	Consult
9	18286	Base plate	Consult
10	18419	Bolt, washer-plate and sleeve assembly	Consult
See current load cell guide for complete line of SB4 and SB5 load cells			
	100168	Load cell, Flintec SB4 - 100 KN (22,500 lb Paramounts)	Consult
	100178	Load cell, Flintec SB5 - 100 KN (22,500 lb Paramounts EP)	Consult

(See Diagram Fixed Pin Paramounts-A)



Fixed Pin
Paramounts-A

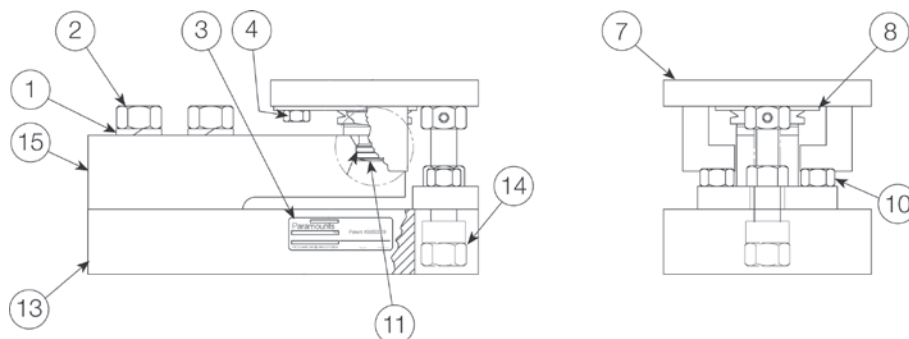
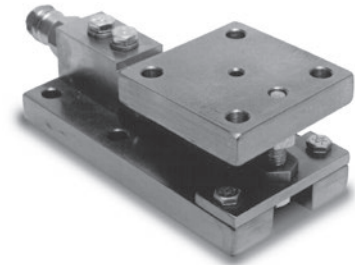
Paramounts® Mounting Assembly-Side Stop Mount

Mild Steel

Part Number/Price

Ref#	Part#	Description	Price
	16953	Installation manual	Consult
Rated Capacity: 2.3 KN (520 lb)			
1	15167	Lock washer	Consult
2	15080	Load cell screws	Consult
3	16877	Label, Paramount	Consult
4	14955	Slide plate screws	Consult
7	18296	Top-plate	Consult
8	18292	Slide plate, SS	Consult
10	15019	Washer-plate screws	Consult
11	51789	Sliding load pin, sub assembly	Consult
13	37896	Base plate	Consult
14	37889	Bolt, washer-plate and sleeve assembly	Consult
15	38215	Load cell, Flintec SB10 - 2.3 KN (520 lb)	Consult
Rated Capacity: 5 KN (1,125 lb) - 23 KN (5,200 lb)			
1	15167	Lock washer	Consult
2	15080	Load cell screws	Consult
3	16877	Label, Paramount	Consult
4	14955	Slide plate screws	Consult
7	18296	Top-plate	Consult
8	18292	Slide plate, SS	Consult
10	15019	Washer-plate screws	Consult
11	51789	Sliding load pin, sub assembly	Consult
13	18284	Base plate	Consult
14	18431	Bolt, washer-plate and sleeve assembly	Consult
See current load cell guide for complete line of SB4 and SB5 load cells			
	100169	Load cell, Flintec SB4 - 5KN (1,125lb Paramounts)	Consult
	100170	Load cell, Flintec SB4 - 10 KN (2,250 lb Paramounts)	Consult
	100171	Load cell, Flintec SB4 - 23 KN (5,200 lb Paramounts)	Consult
	100174	Load cell, Flintec SB5 - 5 KN (1,125 lb Paramounts EP)	Consult
	100175	Load cell, Flintec SB5 - 10 KN (2,250 lb Paramounts EP)	Consult
	100176	Load cell, Flintec SB5 - 20 KN (4,500 lb Paramounts EP)	Consult

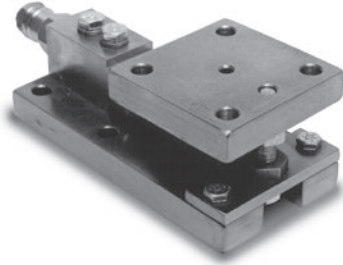
(See Diagram Side Stop Paramounts-A)



Side Stop
Paramounts-A

Paramounts® Mounting Assembly-Side Stop Mount

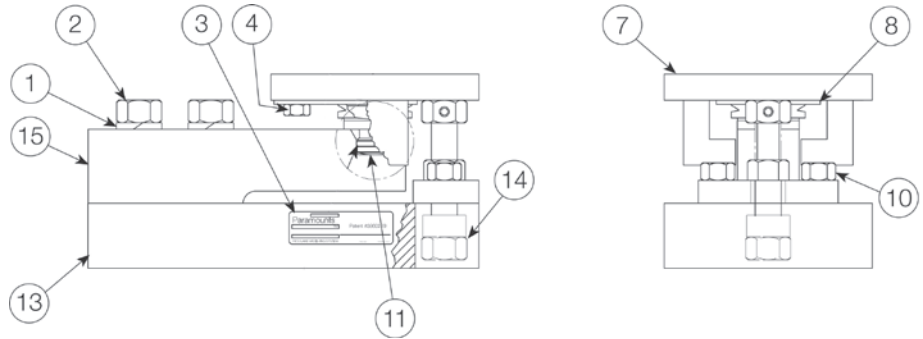
Mild Steel



Part Number/Price

Ref#	Part#	Description	Price
	16953	Installation manual	Consult
Rated Capacity: 50 KN (11,250 lb)			
1	15181	Lock washer	Consult
2	15097	Load cell screws	Consult
3	16877	Label, Paramount	Consult
4	14955	Slide plate screws	Consult
7	18297	Top-plate	Consult
8	18293	Slide plate, SS	Consult
10	15059	Washer-plate screws	Consult
11	51790	Sliding load pin, sub assembly	Consult
13	18285	Base plate	Consult
14	18432	Bolt, washer-plate and sleeve assembly	Consult
See current load cell guide for complete line of SB4 and SB5 load cells			
15	100173	Load cell, Flintec SB4 - 50 KN (11,250 lb Paramounts)	Consult
15	100177	Load cell, Flintec SB5 - 50 KN (11,250 lb Paramounts EP)	Consult
Rated Capacity: 100 KN (22,500 lb)			
1	15185	Lock washer	Consult
2	15102	Load cell screws	Consult
3	16877	Label, Paramount	Consult
4	14955	Slide plate screws	Consult
7	18298	Top-plate	Consult
8	18294	Slide plate, SS	Consult
10	15091	Washer-plate screws	Consult
11	51791	Sliding load pin, sub assembly	Consult
13	18286	Base plate	Consult
14	18433	Bolt, washer-plate and sleeve assembly	Consult
See current load cell guide for complete line of SB4 and SB5 load cells			

(See Diagram Side Stop Paramounts-B)



Side Stop
Paramounts-B

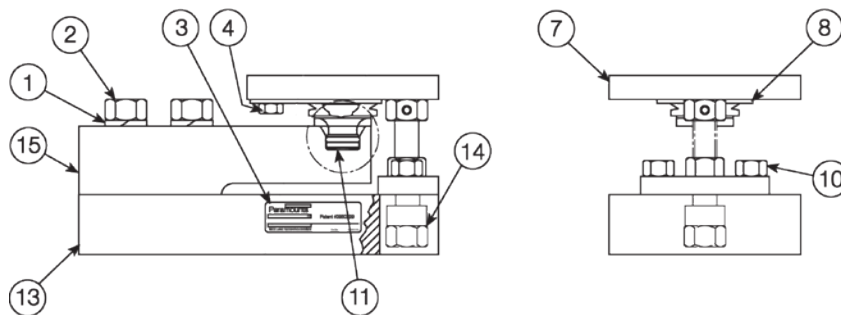
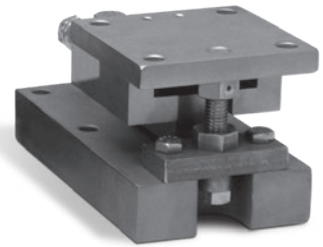
Paramounts® Mounting Assembly-Free Sliding Mount

Mild Steel

Part Number/Price

Ref#	Part#	Description	Price
	16953	Installation manual	Consult
Rated Capacity: 2.3 KN (520 lb)			
1	15167	Lock washer	Consult
2	15080	Load cell screws	Consult
3	16877	Label, Paramount	Consult
4	14955	Slide plate screws	Consult
7	18304	Top-plate	Consult
8	18292	Slide plate, stainless steel	Consult
10	15019	Washer-plate screws	Consult
11	51789	Sliding load pin, sub assembly	Consult
13	37896	Base plate	Consult
14	37889	Bolt, washer-plate and sleeve assembly	Consult
15	38215	Load cell, Flintec SB10 - 2.3 KN (520 lb)	Consult
Rated Capacity: 5 KN (1,125 lb) - 23 KN (5,200 lb)			
1	15167	Lock washer	Consult
2	15080	Load cell screws	Consult
3	16877	Label, Paramount	Consult
4	14955	Slide plate screws	Consult
7	18304	Top-plate	Consult
8	18292	Slide plate, stainless steel	Consult
10	15019	Washer-plate screws	Consult
11	51789	Sliding load pin, sub assembly	Consult
13	18284	Base plate	Consult
14	18431	Bolt, washer-plate and sleeve assembly	Consult
See current load cell guide for complete line of SB4 and SB5 load cells			
	100169	Load cell, Flintec SB4 - 5 KN (1,125 lb Paramounts)	Consult
	100170	Load cell, Flintec SB4 - 10 KN (2,250 lb Paramounts)	Consult
	100171	Load cell, Flintec SB4 - 23 KN (5,200 lb Paramounts)	Consult
	100174	Load cell, Flintec SB5 - 5 KN (1,125 lb Paramounts EP)	Consult
	100175	Load cell, Flintec SB5 - 10 KN (2,250 lb Paramounts EP)	Consult
	100176	Load cell, Flintec SB5 - 20 KN (4,500 lb Paramounts EP)	Consult

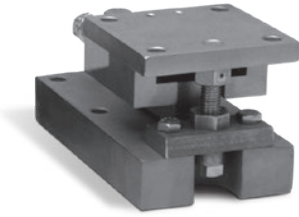
(See Diagram Free Sliding Paramounts-A)



Free Sliding Paramounts-A

Paramounts® Mounting Assembly-Free Sliding Mount

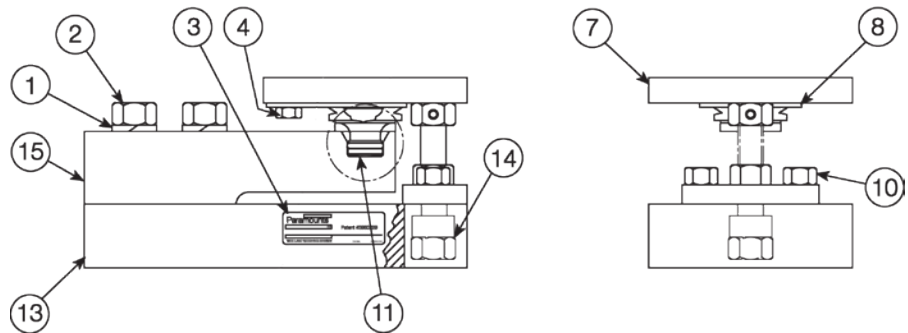
Mild Steel



Part Number/Price

Ref#	Part#	Description	Price
	16953	Installation manual	Consult
Rated Capacity: 50 KN (11,250 lb)			
1	15181	Lock washer	Consult
2	15097	Load cell screws	Consult
3	16877	Label, Paramount	Consult
4	14955	Slide plate screws	Consult
7	18305	Top-plate	Consult
8	18293	Slide plate, stainless steel	Consult
10	15059	Washer-plate screws	Consult
11	51790	Sliding load pin, sub assembly	Consult
13	18285	Base plate	Consult
14	18432	Bolt, washer-plate and sleeve assembly	Consult
See current load cell guide for complete line of SB4 and SB5 load cells			
	100173	Load cell, Flintec SB4 - 50 KN (11,250 lb Paramounts)	Consult
	100177	Load cell, Flintec SB5 - 50 KN (11,250 lb Paramounts EP)	Consult
Rated Capacity: 100 KN (22,500 lb)			
1	15185	Lock washer	Consult
2	15102	Load cell screws	Consult
3	16877	Label, Paramount	Consult
4	14955	Slide plate screws	Consult
7	18306	Top-plate	Consult
8	18294	Slide plate, stainless steel	Consult
10	15091	Washer-plate screws	Consult
11	51791	Sliding load pin, sub assembly	Consult
13	18286	Base plate	Consult
14	18433	Bolt, washer-plate and sleeve assembly	Consult
See current load cell guide for complete line of SB4 and SB5 load cells			
15	100168	Load cell, Flintec SB4 - 100 KN (22,500 lb Paramounts)	Consult
	100178	Load cell, Flintec SB5 - 100 KN (22,500 lb Paramounts EP)	Consult

(See Diagram Free Sliding Paramounts-B)



Free Sliding
Paramounts-B