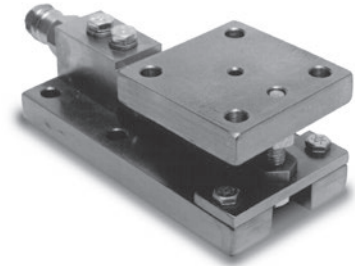


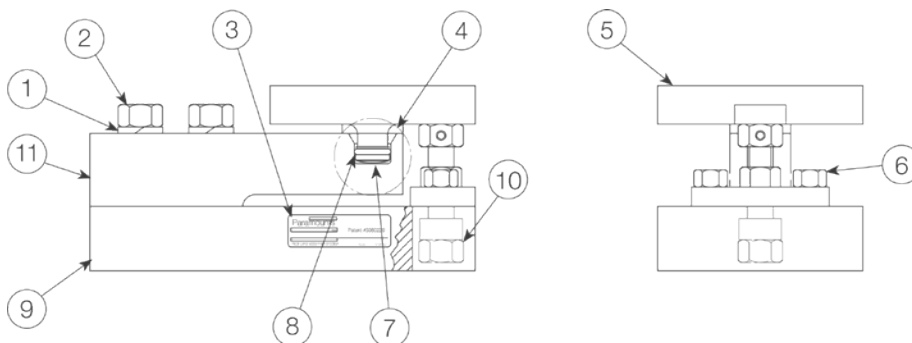
Paramounts® Mounting Assembly-Fixed Pin Mount

Stainless Steel



Ref#	Part#	Description	Price
	16953	Installation manual	Consult
Rated Capacity: 2.3 KN (520 lb)			
1	15168	Lock washer	Consult
2	15081	Load cell screw	Consult
3	16877	Label, Paramounts	Consult
4	18332	Gasket	Consult
5	18316	Top-plate	Consult
6	15020	Washer-plate screws	Consult
7	18340	Fixed load pin	Consult
8	15325	O-ring	Consult
9	37895	Base plate	Consult
10	37892	Bolt, washer-plate and sleeve assembly	Consult
11	38215	Load cell, Flintec SB10 - 2.3 KN (520 lb)	Consult
Rated Capacity: 5 KN (1,125 lb) - 23 KN (5,200 lb)			
1	15168	Lock washer	Consult
2	15081	Load cell screw	Consult
3	16877	Label, Paramounts	Consult
4	18332	Gasket	Consult
5	18316	Top-plate	Consult
6	15020	Washer-plate screws	Consult
7	18340	Fixed load pin	Consult
8	15325	O-ring	Consult
9	18288	Base plate	Consult
10	18427	Bolt, washer-plate and sleeve assembly	Consult
See current load cell guide for complete line of SB4 and SB5 load cells			
	100169	Load cell, Flintec SB4 - 5 KN (1,125 lb)	Consult
	100170	Load cell, Flintec SB4 - 10 KN (2,250 lb)	Consult
	100171	Load cell, Flintec SB4 - 23 KN (5,200 lb)	Consult
Rated Capacity: 50 KN (11,250 lb)			
1	15182	Lock washer	Consult
2	15098	Load cell screw	Consult
3	16877	Label, Paramounts	Consult
4	18333	Gasket	Consult
5	18317	Top-plate	Consult
6	15060	Washer-plate screws	Consult
7	18341	Fixed load pin	Consult
8	15326	O-ring	Consult
9	18289	Base plate	Consult
10	18428	Bolt, washer-plate and sleeve assembly	Consult
See current load cell guide for complete line of SB4 and SB5 load cells			
	100173	Load cell, Flintec SB4 - 50 KN (11,250 lb)	Consult

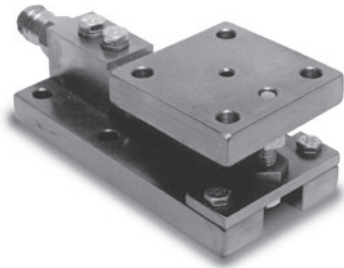
(See Diagram Fixed Pin Paramounts-A)



Fixed Pin
Paramounts-A

Paramounts® Mounting Assembly-Fixed Pin Mount

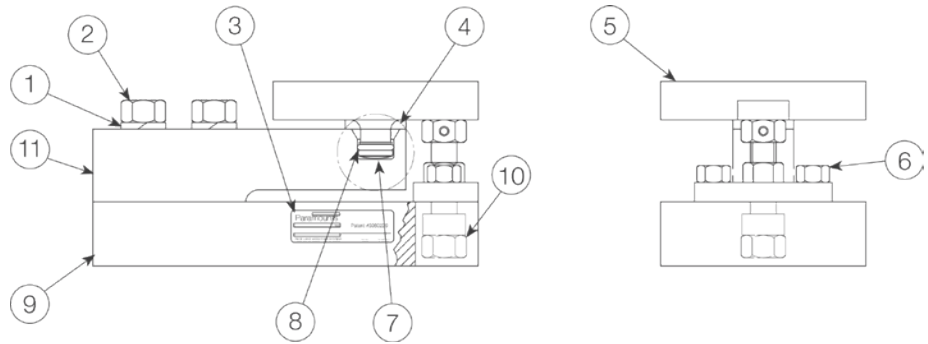
Stainless Steel



Part Number/Price

Ref#	Part#	Description	Price
	16953	Installation manual	Consult
Rated Capacity: 100 KN (22,500 lb)			
1	15186	Lock washer	Consult
2	15103	Load cell screw	Consult
3	16877	Label, Paramounts	Consult
4	18334	Gasket	Consult
5	18318	Top-plate	Consult
6	15092	Washer-plate screws	Consult
7	18342	Fixed load pin	Consult
8	15327	O-ring	Consult
9	18290	Base plate	Consult
10	18429	Bolt, washer-plate and sleeve assembly	Consult
See current load cell guide for complete line of SB4 and SB5 load cells			
	100168	Load cell, Flintec SB4 - 100 KN (22,500 lb)	Consult

(See Diagram Fixed Pin Paramounts-A)



Fixed Pin
Paramounts-A

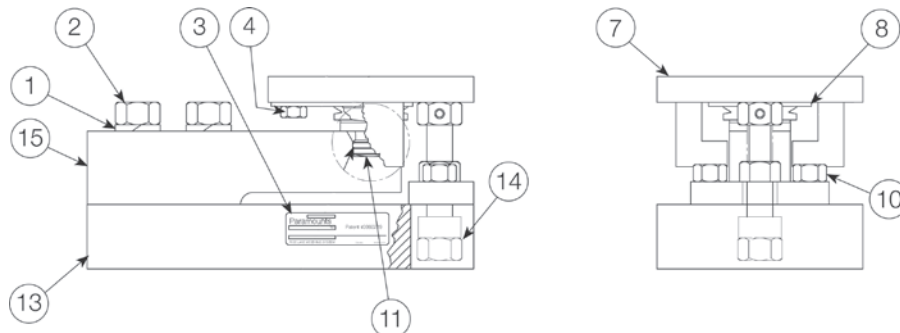
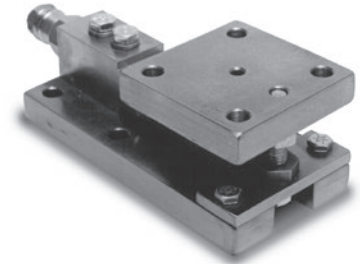
Paramounts® Mounting Assembly-Side Stop Mount

Stainless Steel

Part Number/Price

Ref#	Part#	Description	Price
	100168	Load cell, Flintec SB4 - 100 KN (22,500 lb Paramounts)	Consult
	100178	Load cell, Flintec SB5 - 100 KN (22,500 lb Paramounts EP)	Consult
	16953	Installation manual	Consult
Rated Capacity: 2.3 KN (520 lb)			
1	15168	Lock washer	Consult
2	15081	Load cell screws	Consult
3	16877	Label, Paramount	Consult
4	14956	Slide plate screws	Consult
7	18300	Top-plate	Consult
8	18292	Slide plate, SS	Consult
9	15321	V-ring	Consult
10	15020	Washer-plate screws	Consult
11	51789	Sliding load pin, sub assembly	Consult
13	37895	Base plate	Consult
14	37890	Bolt, washer-plate and sleeve assembly	Consult
	38215	Load cell, Flintec SB10 - 2.3 KN (520 lb)	Consult
Rated Capacity: 5 KN (1,125 lb) - 23 KN (5,200 lb)			
1	15168	Lock washer	Consult
2	15081	Load cell screws	Consult
3	16877	Label, Paramount	Consult
4	14956	Slide plate screws	Consult
5	18332	Gasket	Consult
6	18328	Sliding plate, PTFE coated	Consult
7	18300	Top-plate	Consult
8	18292	Slide plate, SS	Consult
9	15321	V-ring	Consult
10	15020	Washer-plate screws	Consult
11	51789	Sliding load pin, sub assembly	Consult
12	15325	O-ring	Consult
13	18288	Base plate	Consult
14	18435	Bolt, washer-plate and sleeve assembly	Consult
See current load cell guide for complete line of SB4 and SB5 load cells			
	100169	Load cell, Flintec SB4 - 5 KN (1,125 lb)	Consult
	100170	Load cell, Flintec SB4 - 10 KN (2,250 lb)	Consult
	100171	Load cell, Flintec SB4 - 23 KN (5,200 lb)	Consult

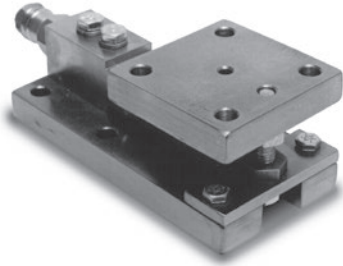
(See Diagram Side Stop Paramounts-C)



Side Stop
Paramounts-C

Paramounts® Mounting Assembly-Side Stop Mount

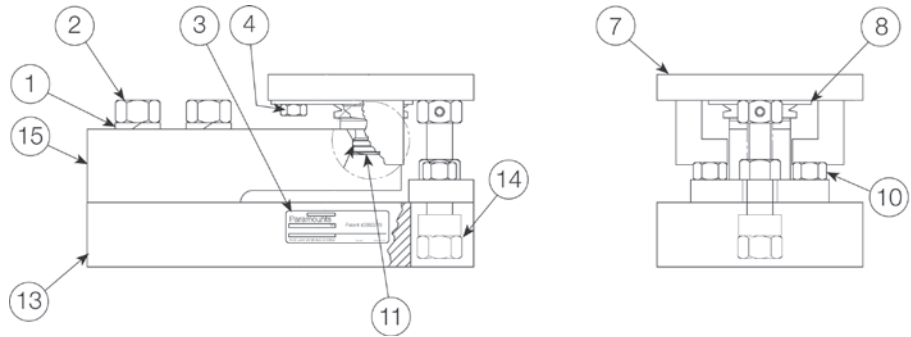
Stainless Steel



Part Number/Price

Ref#	Part#	Description	Price
	16953	Installation manual	Consult
Rated Capacity: 50 KN (11,250 lb)			
1	15182	Lock washer	Consult
2	15098	Load cell screws	Consult
3	16877	Label, Paramount	Consult
4	14956	Slide plate screws	Consult
7	17008	Top-plate	Consult
8	18293	Slide plate, SS	Consult
10	15060	Washer-plate screws	Consult
11	51790	Sliding load pin, sub assembly	Consult
13	18289	Base plate	Consult
14	18436	Bolt, washer-plate and sleeve assembly	Consult
See current load cell guide for complete line of SB4 load cells			
	100173	Load cell, Flintec SB4 - 50 KN (11,250 lb)	Consult
Rated Capacity: 100 KN (22,500 lb)			
1	15186	Lock washer	Consult
2	15103	Load cell screws	Consult
3	16877	Label, Paramount	Consult
4	14956	Slide plate screws	Consult
7	18302	Top-plate	Consult
8	18294	Slide plate, SS	Consult
10	15092	Washer-plate screws	Consult
11	51791	Sliding load pin, sub assembly	Consult
13	18290	Base plate	Consult
14	18437	Bolt, washer-plate and sleeve assembly	Consult
See current load cell guide for complete line of SB4 load cells			
	100168	Load cell, Flintec SB4 - 100 KN (22,500 lb)	Consult

(See Diagram Side Stop Paramounts-D)



Side Stop
Paramounts-D

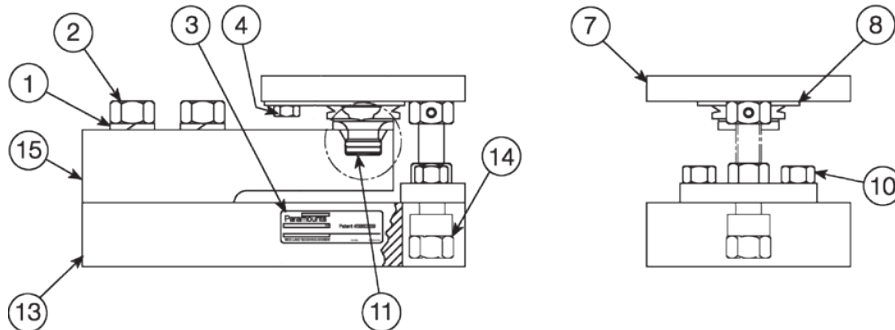
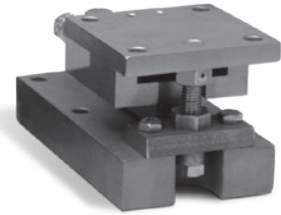
Paramounts® Mounting Assembly-Free Sliding Mount

Stainless Steel

Part Number/Price

Ref#	Part#	Description	Price
	16953	Installation manual	Consult
Rated Capacity: 2.3 kN (520 lb)			
1	15168	Lock washer	Consult
2	15081	Load cell screws	Consult
3	16877	Label, Paramount	Consult
4	14956	Slide plate screws	Consult
7	18308	Top-plate	Consult
8	18292	Slide plate, stainless steel	Consult
10	15020	Washer-plate screws	Consult
11	51789	Sliding load pin, sub assembly	Consult
13	37895	Base plate	Consult
14	37890	Bolt, washer-plate and sleeve assembly	Consult
15	38215	Load cell, Flintec SB10 - 2.3 kN (520 lb Paramounts EP)	Consult
Rated Capacity: 5 kN (1,125 lb) - 23 kN (5,200 lb)			
1	15168	Lock washer	Consult
2	15081	Load cell screws	Consult
3	16877	Label, Paramount	Consult
4	14956	Slide plate screws	Consult
7	18308	Top-plate	Consult
8	18292	Slide plate, stainless steel	Consult
10	15020	Washer-plate screws	Consult
11	51789	Sliding load pin, sub assembly	Consult
13	18288	Base plate	Consult
14	18435	Bolt, washer-plate and sleeve assembly	Consult
See current load cell guide for complete line of SB4 load cells			
15	100169	Load cell, Flintec SB4 - 5 kN (1,125 lb)	Consult
	100170	Load cell, Flintec SB4 - 10 kN (2,250 lb)	Consult
	100171	Load cell, Flintec SB4 - 23 kN (5,200 lb)	Consult

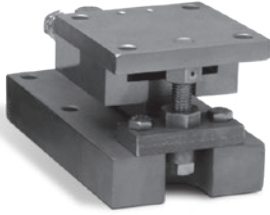
(See Diagram Free Sliding Paramounts-C)



Free Sliding
Paramounts-C

Paramounts® Mounting Assembly-Free Sliding Mount

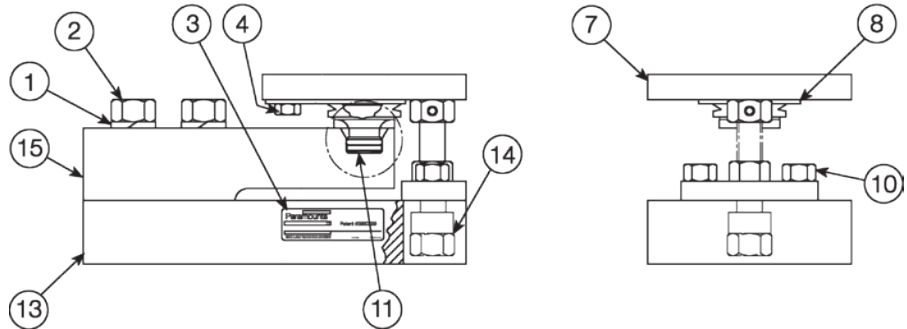
Stainless Steel



Part Number/Price

Ref#	Part#	Description	Price
	16953	Installation manual	Consult
Rated Capacity: 50 KN (11,250 lb)			
1	15182	Lock washer	Consult
2	15098	Load cell screws	Consult
3	16877	Label, Paramount	Consult
4	14956	Slide plate screws	Consult
7	18309	Top-plate	Consult
8	18293	Slide plate, stainless steel	Consult
10	15060	Washer-plate screws	Consult
11	51790	Sliding load pin, sub assembly	Consult
13	18289	Base plate	Consult
14	18436	Bolt, washer-plate and sleeve assembly	Consult
See current load cell guide for complete line of SB4 load cells			
15	100173	Load cell, Fiintec SB4 - 50 KN (11,250 lb)	Consult
Rated Capacity: 100 KN (22,500 lb)			
1	15186	Lock washer	Consult
2	15103	Load cell screws	Consult
3	16877	Label, Paramount	Consult
4	14956	Slide plate screws	Consult
7	18310	Top-plate	Consult
8	18294	Slide plate, stainless steel	Consult
10	15092	Washer-plate screws	Consult
11	51791	Sliding load pin, sub assembly	Consult
13	18290	Base plate	Consult
14	18437	Bolt, washer-plate and sleeve assembly	Consult
See current load cell guide for complete line of SB4 load cells			
15	100168	Load cell, Fiintec SB4 - 100 KN (22,500 lb)	Consult

(See Diagram Free Sliding Paramounts-D)



Free Sliding
Paramounts-D