

Specifications

Full Scale Output:
2.0 mV/V

Output Resistance:
700 (nominal)

Input Resistance:
736 (nominal)

Material/Finish:
Stainless steel

Temperature:
14° F to 104° F (-10° C to 40° C)

Rated Excitation:
5-15 VDC

Non-linearity:
±0.03% full scale

Insulation Resistance:
5,000 mega ohms at 50 VDC

Seal Type:
Hermetically sealed, IP69

Cable Length:
25 ft

Wire Color Code:
Red - Excitation +
Green - Signal +
Black - Excitation -
White - Signal -
Yellow - Shield

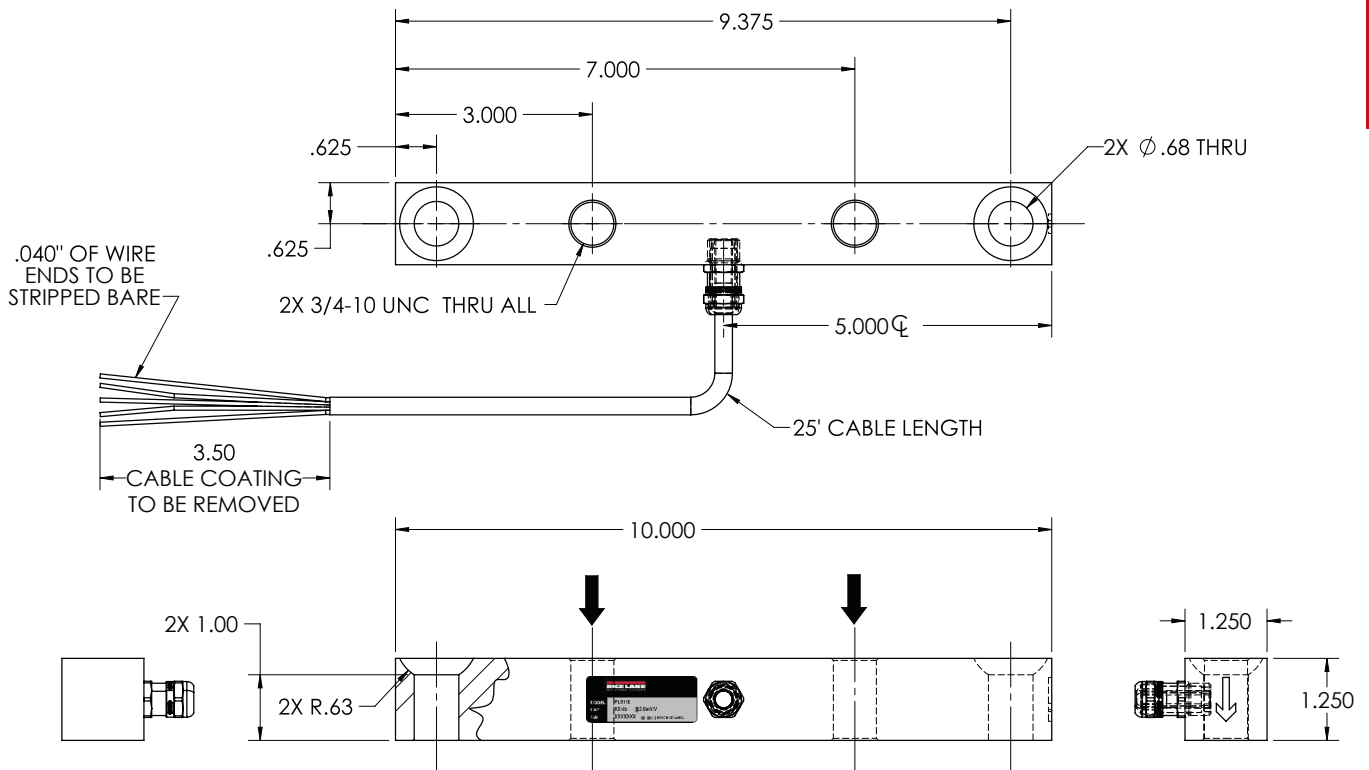
Warranty:
One-year limited warranty



Order Information

Picture is a representation of actual product

Load Rating	Part #	Est. Weight	Price
Static 2,000 lbs	204610	6 lb	Consult
Static 5,000 lbs	204611	6 lb	Consult
Static 10,000 lbs	204612	6 lb	Consult
Static 20,000 lbs	204613	6 lb	Consult



**ONBOARD WEIGHING
LOAD CELLS**