

PL9110

Mount Assembly



The PL9110 double ended shear beam load cell is ideal for weighing equipment typically fixed to a truck body. This with a single piece bearing plate this assembly offers both low profile and rigid mounting. With capacities from 2 K to 20 K (per) offering the same dimensions, integration for varied equipment is easy.

Complete Kit Includes

- One PL9110 stainless steel load cell
- Bearing plate (mild steel)
- Load cell bolts and spherical washers
- Upper mount bolts and flat washers

Standard Features

- Capacities from 2 K to 20 K (per module)
- IP68 rated load cell
- Single piece bearing plate, allowance to bolt or welded into position
- Spherical washer securement for load cell
- Rigid securement of equipment
- Low profile (2.25 in)

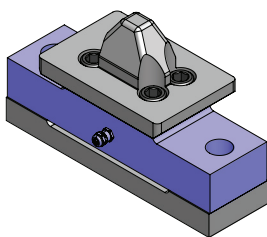
Part Number/Price

Part #	Description	Price
208297	Kit, OnBoard PL9110K (single module kit)	Consult
208299	Kit, OnBoard PL9110-2K (single module kit)	Consult
208300	Kit, OnBoard PL9110-2K (single module kit)	Consult
208301	Kit, OnBoard PL9110-2K (single module kit)	Consult

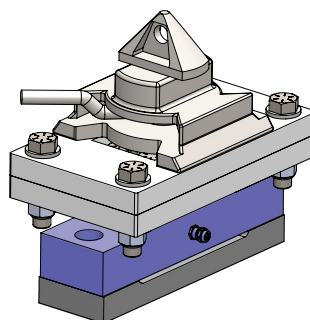
ONBOARD WEIGHING

PLSB-25K Stacking Cone and TwistLock

Mount Assembly



Stacking Cone Plate



TwistLock

The TwistLock and Stacking Cone modules are designed for use with corner castings. Corner casting are most common on intermodal containers, but can also be found integrated into other equipment. The low profile, rigid mount PLSB-25K double ended shear beam load cell is the heart of these modules.

Complete Kit Includes

- One PLSB-25K load cell
- Bearing plate (mild steel)
- Functional TwistLock or Stacking Cone upper assembly
- Intermediate plate (TwistLock only)
- Hardware to secure upper assembly to load cell

Standard Features

- 25 K capacity per module
- 50 ft cable lengths
- Single piece bearing plate, through hole mounting
- Rigid securement for upper assembly

Part Number/Price

Part #	Description	Price
190901	Kit, Onboard, TwistLock (single module kit)	Consult
188542	Kit, OnBoard, Stacking Cone (single module kit)	Consult