

# Ready-n-Weigh Bench Scale System

CW-90B Bench Scale and 480/480 Plus Indicator Package

BENCH SCALES



Scale and Indicator Package

## Standard Features

- Package includes scale with IP67 aluminum environmentally sealed load cell with an indicator and 12-inch column
- Factory calibrated with indicator setup and configured for 5,000 divisions
- Scale includes rubber feet to provide exceptional traction and avoid scratching surfaces along with removable top cover for ease of cleaning
- AC power 100 to 240 VAC
- Numeric keypad (480 Plus)
- Battery backed time and date
- Standard RS-232 serial ports for connecting to a variety of peripherals

## CW-90B Specifications

### Load Cell, NTEP Certified:

IP67 aluminum, environmentally sealed

### Scale Construction:

304 stainless steel

### Maximum Overload:

180% to 200% depending on capacity

### Overload Protection:

Five-point, independently adjusted

### Scale Frame:

AISI304L, straight line finish, Ra= 45 +/- 10

### Scale Cover:

AISI304L, straight line finish, Ra= 45 +/- 10

### Cable Length:

34 in

### Compensated Temperature Range:

14 °F to 104 °F (-10 °C to 40 °C)

### Approvals:

NTEP 12-123, Class III 5,000 d  
Measurement Canada AM-5892C  
CE  
cULus

### Warranty:

Two-year limited

## 480/480 Plus Specifications

### Communication Ports:

Com 1: RS-232 full duplex  
Com 2: RS-232 full duplex or 20 mA simplex, continuous  
Both ports 1200, 2400, 4800, 9600, 19200, 38400 baud seven or eight data bits, even, odd or no parity

### Display:

LED display 0.8 in (20 mm), six-digit, seven-segment

### Status Annunciators:

Gross, net, center of zero, standstill, lb, kg, tare, preset tare

### Keys/Buttons:

Flat membrane panel, embossed keys, tactile feel

### Rating/Material:

Enclosure: NEMA Type 4X/IP66, heavy-gauge stainless steel

### Approvals:

NTEP 12-123  
Measurement Canada AM-5892C  
CE Marked  
UL/cUL Listed

### Warranty:

Two-year limited

## Approvals



Measurement Canada Approved



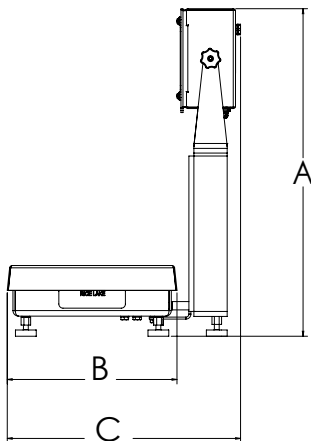
## Dimensions

### CW-90B Bench Scale and 480/480 Plus Indicator

#### 10 × 10 in

A	19.50 in	E	9.25 in
B	10.25 in	F	4.25 in
C	14.53 in	G	10.25 in
D	13.25 in		

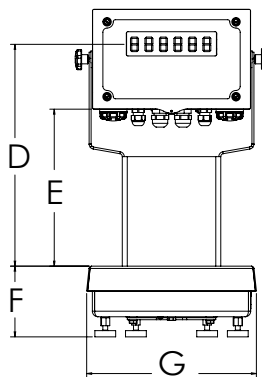
Note: 1 in = 25.4 mm



#### 12 × 12 in

A	19.50 in	E	9.25 in
B	12.25 in	F	4.25 in
C	16.53 in	G	12.25 in
D	13.25 in		

Note: 1 in = 25.4 mm



CW-90B with 480 indicator

# Ready-n-Weigh Bench Scale System

CW-90B Bench Scale and 480/480 Plus Indicator Package

## CW-90B with 480 Package

Part #	Platform Capacity	Dimensions (L × W × H)	Est. Weight	Price
<b>115 VAC, LED, US Plug-Type B</b>				
201157	5 lb (2.5 kg)	10 × 10 × 4.25 in	24 lb	Consult
201158	10 lb (5 kg)	10 × 10 × 4.25 in	24 lb	Consult
201159	25 lb (10 kg)	10 × 10 × 4.25 in	24 lb	Consult
201160	25 lb (10 kg)	12 × 12 × 4.25 in	27 lb	Consult
201161	50 lb (25 kg)	12 × 12 × 4.25 in	27 lb	Consult
201162	100 lb (50 kg)	12 × 12 × 4.25 in	27 lb	Consult
<b>90-264 VAC, LED, Euro Plug-Type E</b>				
201169	5 lb (2.5 kg)	10 × 10 × 4.25 in	24 lb	Consult
201170	10 lb (5 kg)	10 × 10 × 4.25 in	24 lb	Consult
201171	25 lb (10 kg)	10 × 10 × 4.25 in	24 lb	Consult
201172	25 lb (10 kg)	12 × 12 × 4.25 in	27 lb	Consult
201173	50 lb (25 kg)	12 × 12 × 4.25 in	27 lb	Consult
201174	100 lb (50 kg)	12 × 12 × 4.25 in	27 lb	Consult

## CW-90B with 480 Plus Package

Part #	Platform Capacity	Dimensions (L × W × H)	Est. Weight	Price
<b>115 VAC, LED, Numeric keypad, US Plug-Type B</b>				
201163	5 lb (2.5 kg)	10 × 10 × 4.25 in	24 lb	Consult
201164	10 lb (5 kg)	10 × 10 × 4.25 in	24 lb	Consult
201165	25 lb (10 kg)	10 × 10 × 4.25 in	24 lb	Consult
201166	25 lb (10 kg)	12 × 12 × 4.25 in	27 lb	Consult
201167	50 lb (25 kg)	12 × 12 × 4.25 in	27 lb	Consult
201168	100 lb (50 kg)	12 × 12 × 4.25 in	27 lb	Consult
<b>90-264 VAC, LED, Numeric keypad, Euro Plug-Type E</b>				
201175	5 lb (2.5 kg)	10 × 10 × 4.25 in	24 lb	Consult
201176	10 lb (5 kg)	10 × 10 × 4.25 in	24 lb	Consult
201177	25 lb (10 kg)	10 × 10 × 4.25 in	24 lb	Consult
201178	25 lb (10 kg)	12 × 12 × 4.25 in	27 lb	Consult
201179	50 lb (25 kg)	12 × 12 × 4.25 in	27 lb	Consult
201180	100 lb (50 kg)	12 × 12 × 4.25 in	27 lb	Consult



† US plug (NA) - Type B



†† Euro Plug - Type E