

Ready-n-Weigh Bench Scale System

CW-90XB Bench Scale and 480/480 Plus Indicator Package

BENCH SCALES



Scale and Indicator Package

Standard Features

- Package includes scale with IP69K stainless steel hermetically sealed load cell with an indicator and 12-inch column
- Factory calibrated with indicator setup and configured for 5,000 divisions
- Scale includes rubber feet to provide exceptional traction and avoid scratching surfaces along with removable top cover for ease of cleaning
- AC power 100 to 240 VAC
- Numeric keypad (480 plus)
- Battery backed time and date
- Standard RS-232 serial ports for connecting to peripherals

CW-90XB Specifications

Load Cell, NTEP Certified:

IP69K stainless steel and hermetically sealed

Scale Construction:

304 stainless steel

Maximum Overload:

180% to 200% depending on capacity

Overload Protection:

Five-point, independently adjusted

Scale Frame:

AISI304L, straight line finish, Ra= 45 +/- 10

Scale Cover:

AISI304L, straight line finish, Ra= 45 +/- 10

Cable Length:

34 in

Compensated Temperature Range:

14 °F to 104 °F (-10 °C to 40 °C)

CW-90XB Approvals:

NTEP CC 95-072, Class III 5,000 d
Measurement Canada AM-5082
Load cell is FM approved

Warranty:

Three-year limited (includes water ingress)

480/480 Plus Specifications

Communication Ports:

Com 1: RS-232 full duplex
Com 2: RS-232 full duplex or 20 mA simplex, continuous
Both ports 1200, 2400, 4800, 9600, 19200, 38400 baud seven or eight data bits, even, odd or no parity

Display:

LED display 0.8 in (20 mm), six-digit, seven-segment

Status Annunciators:

Gross, net, center of zero, standstill, lb, kg, tare, preset tare

Keys/Buttons:

Flat membrane panel, embossed keys, tactile feel

Rating/Material:

Enclosure: NEMA Type 4X/IP66, heavy-gauge stainless steel

Approvals:

NTEP 12-123
Measurement Canada AM-5892C
CE Marked
cULus Listed

Warranty:

Two-year limited

Approvals



Measurement
Canada
Approved



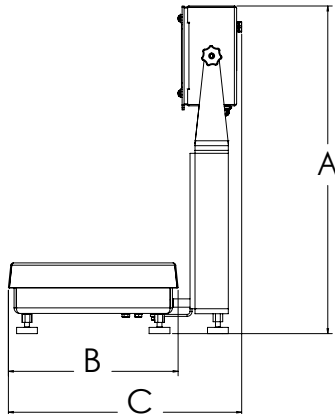
Dimensions

CW-90XB Bench Scale and 480/480 Plus Indicator

10 × 10 in

A	19.50 in	E	9.25 in
B	10.25 in	F	4.25 in
C	14.53 in	G	10.25 in
D	13.25 in		

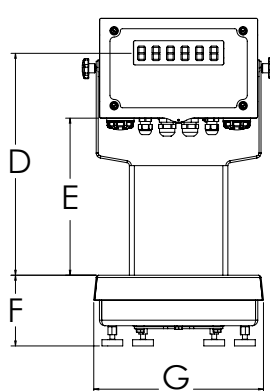
Note: 1 in = 25.4 mm



12 × 12 in

A	19.50 in	E	9.25 in
B	12.25 in	F	4.25 in
C	16.53 in	G	12.25 in
D	13.25 in		

Note: 1 in = 25.4 mm



CW-90XB with 480 indicator

Ready-n-Weigh Bench Scale System

CW-90XB Bench Scale and 480/480 Plus Indicator Package

CW-90XB with 480 Package

Part #	Platform Capacity	Dimensions (L × W × H)	Est. Weight	Price
115 VAC, LED, US Plug-Type B				
201241	5 lb (2.5 kg)	10 × 10 × 4.25 in	24 lb	Consult
201242	10 lb (5 kg)	10 × 10 × 4.25 in	24 lb	Consult
201243	25 lb (10 kg)	10 × 10 × 4.25 in	24 lb	Consult
201244	25 lb (10 kg)	12 × 12 × 4.25 in	27 lb	Consult
201245	50 lb (25 kg)	12 × 12 × 4.25 in	27 lb	Consult
201246	100 lb (50 kg)	12 × 12 × 4.25 in	27 lb	Consult
90-264 VAC, LED, Euro Plug-Type E				
201254	5 lb (2.5 kg)	10 × 10 × 4.25 in	24 lb	Consult
201255	10 lb (5 kg)	10 × 10 × 4.25 in	24 lb	Consult
201257	25 lb (10 kg)	10 × 10 × 4.25 in	24 lb	Consult
201258	25 lb (10 kg)	12 × 12 × 4.25 in	27 lb	Consult
201259	50 lb (25 kg)	12 × 12 × 4.25 in	27 lb	Consult
201260	100 lb (50 kg)	12 × 12 × 4.25 in	27 lb	Consult

CW-90XB with 480 Plus Package

Part #	Platform Capacity	Dimensions (L × W × H)	Est. Weight	Price
115 VAC, LED, Numeric, US Plug-Type B				
201247	5 lb (2.5 kg)	10 × 10 × 4.25 in	24 lb	Consult
201248	10 lb (5 kg)	10 × 10 × 4.25 in	24 lb	Consult
201249	25 lb (10 kg)	10 × 10 × 4.25 in	24 lb	Consult
201250	25 lb (10 kg)	12 × 12 × 4.25 in	27 lb	Consult
201251	50 lb (25 kg)	12 × 12 × 4.25 in	27 lb	Consult
201253	100 lb (50 kg)	12 × 12 × 4.25 in	27 lb	Consult
90-264 VAC, LED, Numeric, Euro Plug-Type E				
201261	5 lb (2.5 kg)	10 × 10 × 4.25 in	24 lb	Consult
201262	10 lb (5 kg)	10 × 10 × 4.25 in	24 lb	Consult
201263	25 lb (10 kg)	10 × 10 × 4.25 in	24 lb	Consult
201264	25 lb (10 kg)	12 × 12 × 4.25 in	27 lb	Consult
201265	50 lb (25 kg)	12 × 12 × 4.25 in	27 lb	Consult
201266	100 lb (50 kg)	12 × 12 × 4.25 in	27 lb	Consult



* US plug (NA) - Type B



** Euro Plug - Type E