



Picture is a representation of actual product

Approvals

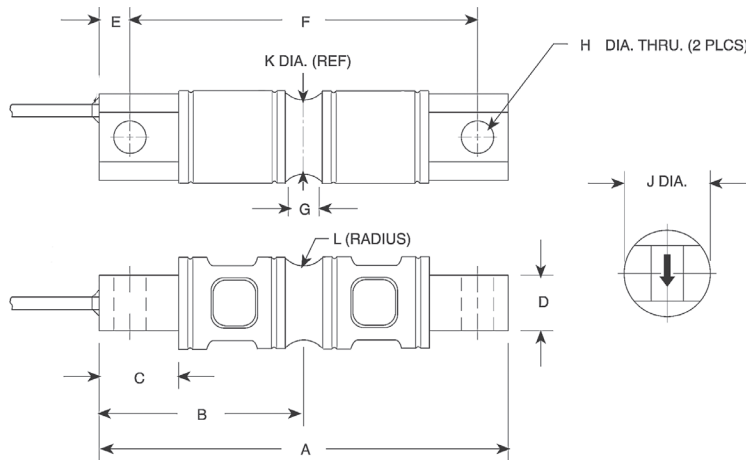


Order Information

Load Rating	Part #	Est. Weight	Price
5,000 lb	34494	5 lb	Consult
10,000 lb	34495	5 lb	Consult
20,000 lb	34496	6 lb	Consult
30,000 lb	34497	19 lb	Consult
40,000 lb	34498	19 lb	Consult
50,000 lb	34499	19 lb	Consult
60,000 lb	34500	19 lb	Consult
75,000 lb	159506	19 lb	Consult
100,000 lb	34501	30 lb	Consult
150,000 lb	17292	35 lb	Consult
200,000 lb	17293	46 lb	Consult
250,000 lb	17294	92 lb	Consult

Dimensions

Rated Capacity	A	B	C	D	E	F	G	H	J	K	L
lb/in											
5,000 to 10,000	8.12	4.06	1.44	1.12	0.62	6.87	0.62	0.65	1.70	1.48	0.50
20,000	8.12	4.06	1.44	1.12	0.62	6.87	0.84	0.65	1.95	1.48	0.50
30,000 to 75,000	10.25	5.12	1.88	2.37	0.88	8.50	1.00	1.06	3.00	2.73	1.00
100,000	11.25	5.62	1.88	2.50	0.88	9.50	1.00	1.06	3.50	3.24	1.50
150,000	11.25	5.62	1.88	2.80	0.88	9.50	1.25	1.06	3.90	3.64	1.50
200,000 to 250,000	16.10	8.05	3.05	4.60	1.55	13.00	1.30	1.55	5.375	5.17	2.00



Interchangeable Products

RICE LAKE WEIGHING SYSTEMS
RL70000
RL72020.....page 126

Weigh Module Available

RICE LAKE WEIGHING SYSTEMS
EZ Mount 1..... page 65

Specifications

Full Scale Output:

3.0 mV/V

Output Resistance:

700 (± 7) ohm

Input Resistance:

700 (± 7) ohm

Material/Finish:

High-alloy steel, nickel plated

Temperature:

Compensated:
 14 °F to 104 °F (-10 °C to 40 °C)

Operating:
 0 °F to 150 °F (-18 °C to 65 °C)

Seal Type:

Environmentally sealed, IP67

Safe Overload:

150% full scale

Safe Sideload:

100% full scale

Rated Excitation:

5 to 10 VDC (15 V maximum)

Non-repeatability:

0.01% full scale

Combined Error:

0.025% full scale

Insulation Resistance:

5,000 megohm

Deflection at Capacity:

5,000 lb: 0.02 in
 10,000 lb: 0.025 in
 20,000 lb: 0.042 in
 30,000 to 50,000 lb: 0.02 in
 60,000 lb: 0.025 in
 100,000 to 150,000 lb: 0.02 in
 200,000 to 250,000 lb: 0.035 in

Cable Length:

30 ft

Cable Diameter:

0.295 in
 Polyurethane jacket

Cable Color Code:

Red +Excitation
 Black -Excitation
 Green +Signal
 White -Signal

Warranty:

One-year limited

Approvals:

cMus
 NTEP

