

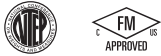
5123

Alloy Steel, Environmentally Sealed, NTEP Certified 1:5,000 Class III Multiple Cell, IP67



Picture is a representation of actual product

Approvals

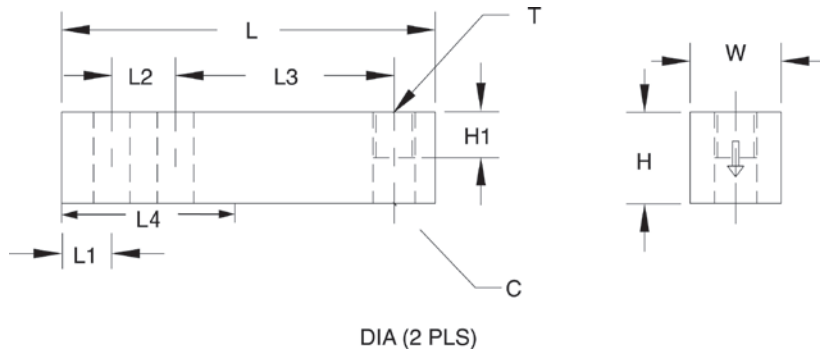


Order Information

Load Rating	Part #	Est. Weight	Price
1,000 lb	21516	3 lb	Consult
2,500 lb	21517	3 lb	Consult
4,000 lb	21518	3 lb	Consult
5,000 lb	21519	8 lb	Consult
10,000 lb	21520	8 lb	Consult

Dimensions

Rated Capacity	C	H	H1	L	L1	L2	L3	L4	T	W
1,000 to 4,000	0.53	1.25	0.62	5.12	0.62	1.00	3.00	2.25	1/2-20 UNF	1.25
5,000 to 10,000	0.78	1.50	0.75	6.75	0.75	1.50	3.75	3.12	3/4-16 UNF	1.50



Interchangeable Products

- RICE LAKE WEIGHING SYSTEMS
RL30000I.....page 122
- VPG® TEDEA-HUNTLEIGH
3411.....page 322
- ARTECH®
30310

Weigh Module Available

- RICE LAKE WEIGHING SYSTEMS
RL50210TA.....page 43
- RICE LAKE WEIGHING SYSTEMS
RL1800 Series.....page 54

Specifications

- Full Scale Output:**
3.0 mV/V
- Output Resistance:**
352 (± 3) ohm
- Input Resistance:**
350 (± 7) ohm
- Material/Finish:**
Alloy steel, nickel plated
- Temperature:**
Compensated range
14 °F to 104 °F (-10 °C to 40 °C)
Operating range
0 °F to 150 °F (-18 °C to 65 °C)
- Seal Type:**
Environmentally sealed, IP67
- Safe Overload:**
150% full scale
- Safe Sideload:**
100% full scale
- Rated Excitation:**
5 to 10 VDC (15 V maximum)
- Combined Error:**
0.025% full scale
- Non-repeatability:**
0.01% full scale
- Insulation Resistance:**
1,000 megohm
- Deflection at Capacity:**
1,000 lb: 0.016 in
2,500 lb: 0.03 in
4,000 lb: 0.04 in
5,000 lb: 0.035 in
10,000 lb: 0.042 in
- Cable Length:**
20 ft
- Cable Color Code:**
Red +Excitation
Black -Excitation
Green +Signal
White -Signal
- Warranty:**
One-year limited
- Approvals:**
cFMus
NTEP

VPG REVERE