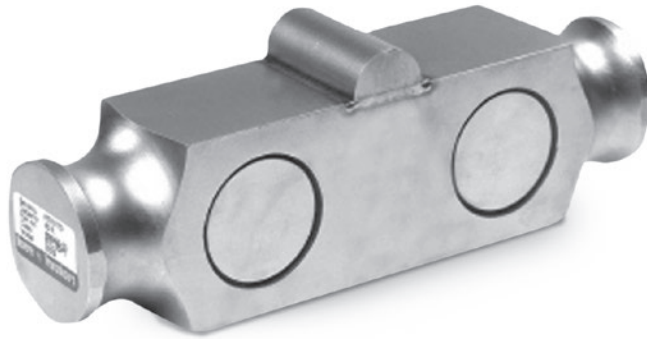


9323

Stainless Steel, Environmentally Sealed, NTEP Certified 1:10,000 Class IIIIL Multiple Cell, IP67



Picture is a representation of actual product

Approvals

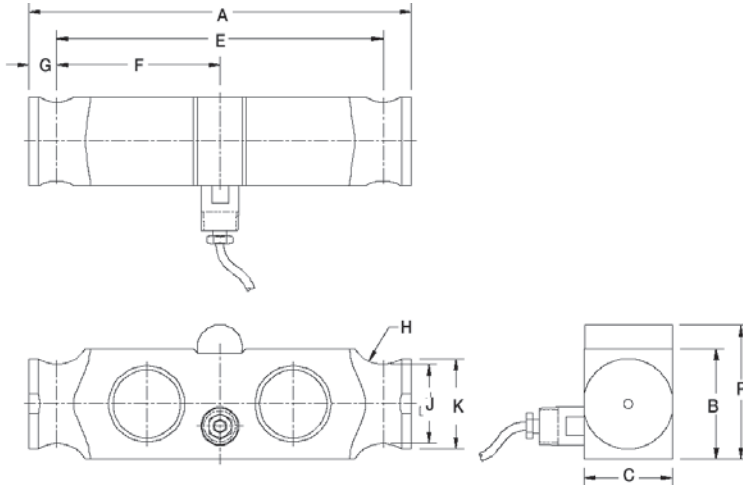


Order Information

Load Rating	Part #	Est. Weight	Price
50,000 lb	84156	13 lb	Consult
60,000 lb	84157	13 lb	Consult

Dimensions

Rated Capacity	A	B	C	E	F	G	H	J	K	P
lb/in										
50,000 to 60,000	8.50	2.45	1.95	7.25	3.63	0.63	0.75	1.75	2.00	3.00



Interchangeable Products

NV TECHNOLOGY®
BLC-1-N-WP

Specifications

- Full Scale Output:**
3.0 mV/V
- Output Resistance:**
700 (± 7) ohm
- Input Resistance:**
700 (± 7) ohm
- Material/Finish:**
Stainless steel
- Temperature:**
Compensated range
14 °F to 104 °F (-10 °C to 40 °C)
Operating range
0 °F to 150 °F (-18 °C to 65 °C)
- Seal Type:**
Environmentally sealed, IP67
- Safe Overload:**
150% full scale
- Safe Sideload:**
100% full scale
- Rated Excitation:**
5 to 10 VDC (15 V maximum)
- Non-repeatability:**
0.01% full scale
- Combined Error:**
0.02% full scale
- Insulation Resistance:**
5,000 megohm
- Cable Length:**
30 ft
- Cable Diameter:**
0.295 in polyurethane jacket
- Cable Color Code:**
Red –Excitation
Black –Excitation
Green +Signal
White –Signal
- Warranty:**
One-year limited
- Approvals:**
cFMus
NTEP