

Picture is a representation of actual product

Approvals

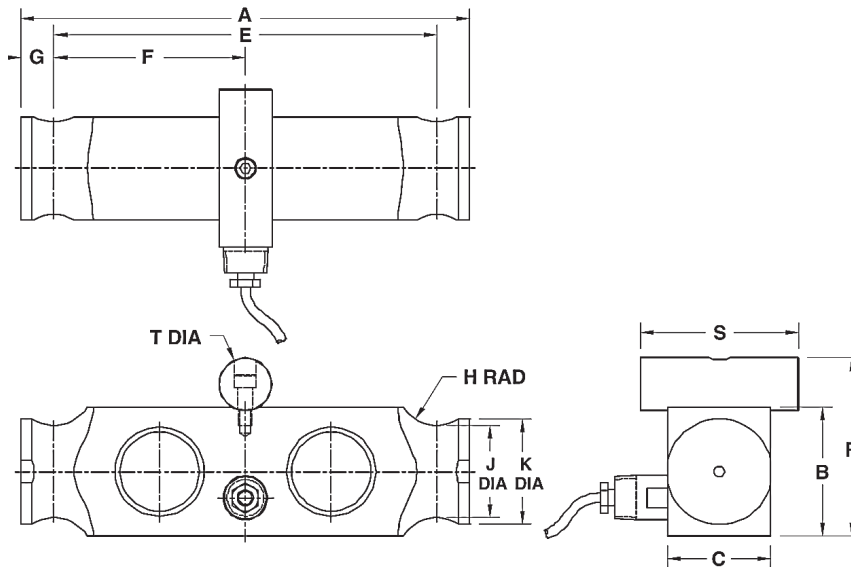


Order Information

Load Rating	Part #	Est. Weight	Price
50,000 lb	79711	14 lb	Consult
60,000 lb	79712	14 lb	Consult

Dimensions

Rated Capacity	A	B	C	E	F	G	H	J	K	R	S	T
lb/in												
50,000 to 60,000	8.50	2.45	1.95	7.25	3.62	0.63	0.75	1.75	2.00	3.38	3.00	1.00



Interchangeable Products

NV TECHNOLOGY®
BLC-1-N

Specifications

Full Scale Output:
3.0 mV/V

Output Resistance:
700 (± 7) ohm

Input Resistance:
700 (± 7) ohm

Material/Finish:
Stainless steel

Temperature:
Compensated:
14 °F to 104 °F (-10 °C to 40 °C)
Operating:
0 °F to 150 °F (-18 °C to 65 °C)

Seal Type:
Environmentally sealed, IP67

Safe Overload:
150% full scale

Safe Sideload:
100% full scale

Rated Excitation:
5 to 10 VDC (15 V maximum)

Combined Error:
0.02% full scale

Non-repeatability:
0.01% full scale

Insulation Resistance:
5,000 megohm

Cable Length:
30 ft

Cable Diameter:
0.295 in
Polyurethane jacket

Cable Color Code:
Red +Excitation
Black -Excitation
Green +Signal
White -Signal

Warranty:
One-year limited

Approvals:
cFMus
NTEP