

Picture is a representation of actual product

Approvals

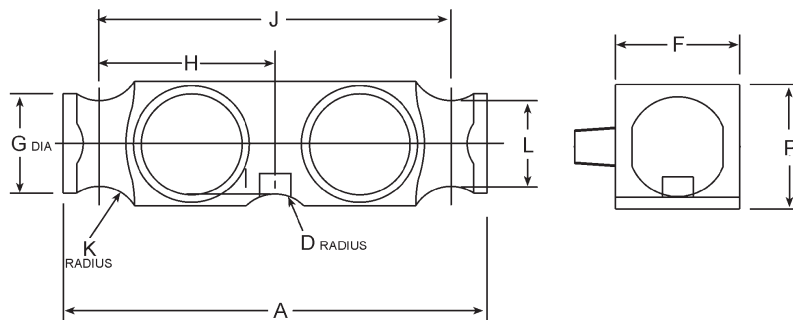


Order Information

Load Rating	Part #	Est. Weight	Price
50,000 lb	69489	17 lb	Consult
65,000 lb	69490	17 lb	Consult
100,000 lb	124390	17 lb	Consult

Dimensions

Rated Capacity	A	D	F	G	H	J	K	L	P
lb/in									
50,000 to 100,000	10.25	1.00	1.94	2.40	4.25	8.50	1.00	2.06	2.94



Interchangeable Products

NV TECHNOLOGY®  
**BLC-2-XX-N**  
 THURMAN®  
**10088970A-50K**

Specifications

- Full Scale Output:**  
3.0 mV/V
- Output Resistance:**  
700 (± 3.5) ohm
- Input Resistance:**  
700 (± 3.5) ohm
- Material/Finish:**  
Stainless steel
- Temperature:**  
Compensated:  
14 °F to 104 °F (-10 °C to 40 °C)  
Operating:  
0 °F to 150 °F (-18 °C to 65 °C)
- Seal Type:**  
Environmentally sealed, IP67
- Safe Overload:**  
150% full scale
- Safe Sideload:**  
100% full scale
- Rated Excitation:**  
5 to 10 VDC (15 V maximum)
- Combined Error:**  
0.02% full scale
- Non-repeatability:**  
0.01% full scale
- Insulation Resistance:**  
5,000 megohm
- Cable Length:**  
30 ft
- Cable Diameter:**  
0.295 in  
Polyurethane jacket
- Cable Color Code:**  
Red +Excitation  
Black -Excitation  
Green +Signal  
White -Signal
- Warranty:**  
One-year limited
- Approvals:**  
cFMus  
NTEP