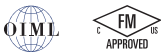




Picture is a representation of actual product

Approvals

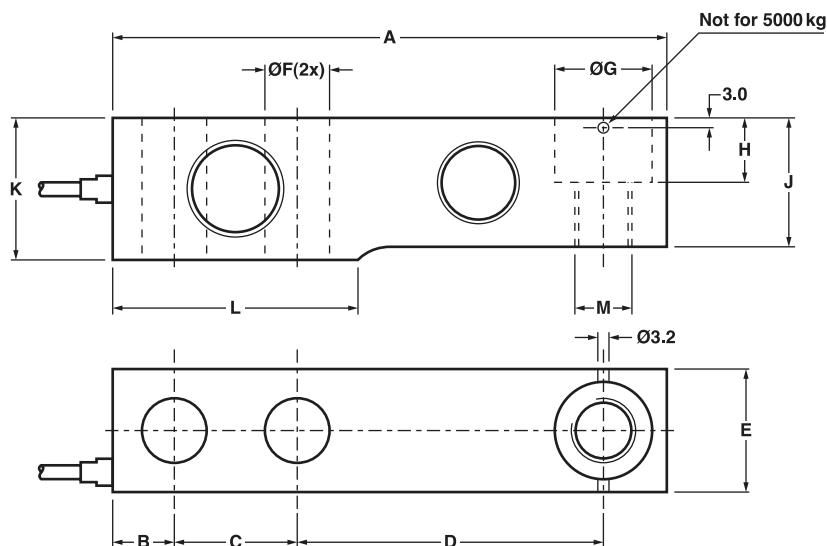


Order Information

Load Rating	Part #	Est. Weight	Price
500 kg	166750	2 lb	Consult
1,000 kg	166751	2 lb	Consult
2,000 kg	166752	3 lb	Consult
5,000 kg	166753	4 lb	Consult

Dimensions

Rated Capacity	A	B	C	D	E	F	G	H	J	K	L	M
kg/mm												
500	130.0	15.5	25.4	76.2	31.8	13.0	20.5	14.2	26	31.8	57.1	M12
1,000	130.0	15.5	25.4	76.2	31.8	13.0	20.5	14.2	28	31.8	57.1	M12
2,000	130.0	15.5	25.4	76.2	31.8	13.0	20.5	14.2	32	35.8	57.1	M12
5,000	172.0	19.1	38.1	95.3	38.0	20.5	30.2	20.0	40	44.0	76.2	M20



Specifications

Full Scale Output:

2mV/V

Output Resistance:

1,000 (± 10) ohm

Input Resistance:

1,000 (± 50) ohm

Material/Finish:

Stainless steel

Temperature:

Compensated:

14 °F to 104 °F (-10 °C to 40 °C)

Operating:

0 °F to 150 °F (-18 °C to 65 °C)

Seal Type:

Hermetically sealed, IP68

Safe Overload:

150% full scale

Rated Excitation:

5 to 12 VDC

Combined Error:

0.02%

Insulation Resistance:

5,000 megohm

Cable Length:

500 to 1,000 kg: 3 m

2,000 to 5,000 kg: 6 m

Cable Color Code:

Green +Excitation

Black -Excitation

White +Signal

Red -Signal

Yellow +Sense

Blue -Sense

Warranty:

One-year limited

Approvals:

cFMus

OIML