

# Rice Lake VS-36

COMPANION  
ANIMAL SCALES

RUBBERIZED  
PLATFORM

METAL PLATFORM



Approvals



## Part Number/Price

Part #	Model #	Capacity	Price
204403	Rice Lake VS-36	1,000 × 0.2 lb (450 × 0.1 kg)	Consult

## Shipping Weight

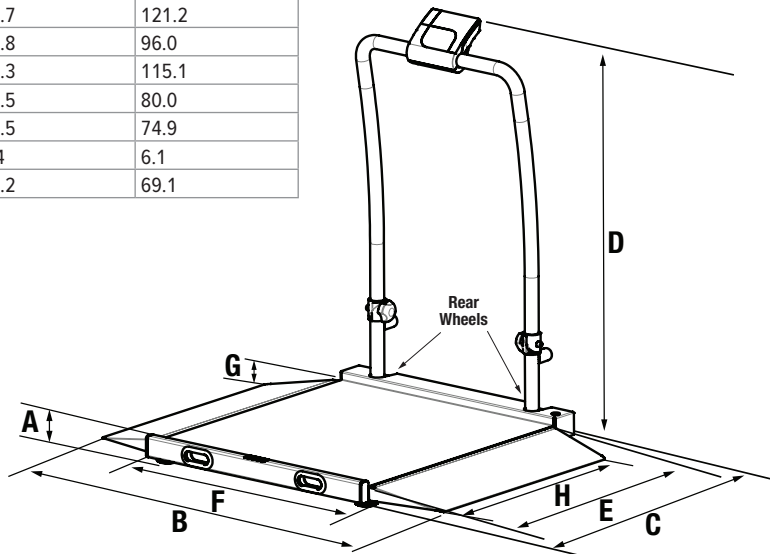
Part #	Model #	L (in)	W (in)	H (in)	Package Wgt. (lb)	Dim Wgt. (lb)	Shipping Wgt. (lb)
204403	Rice Lake VS-36	51	42	14	102	216	216

## Options/Accessories

Part #	Description	Price
79074	Cable, USB 6 ft USB-A (male) to USB-B (male)	Consult
217091	Cable, Communication DB9 (female) to RJ45 (male), 4 conductor	Consult
186830	Cable, RS232 scale to printer, 6 ft, 25-pin D-Sub (male) to RJ45	Consult

## Dimensions

	Inches	Centimeters
A	3.15	8.0
B	47.7	121.2
C	37.8	96.0
D	45.3	115.1
E	31.5	80.0
F	29.5	74.9
G	2.4	6.1
H	27.2	69.1



## Standard Features

- Metal Platform
- Two wheels for portability
- Dual ramp
- Vacuum-formed, ribbed platform
- Push-button LCD display
- Motiontrap™ movement compensation technology
- Unit of measure toggle or locking
- Communication via USB
- Tare function
- Hold function
- Factory calibrated
- Easy to store, folded depth is 11.75 in

## Specifications

### Capacity:

1,000 × 0.2 lb (450 × 0.1 kg)

### Platform Dimensions:

(W × L × H)

31.5 × 29.5 × 3.15 in

### Power:

9 VDC, provided by six AA alkaline batteries (included) or AC adapter (optional)

### Battery Type:

Six AA alkaline (included)

### Battery Use:

25 hours continuous use with batteries  
Automatic power-off can be configured

### Operating Temperature:

50 °F to 104 °F (14 °C to 40 °C)

### Display:

5-digit LCD display, 0.75 in (1.9 mm) digit height

### Approvals:

c-Met, E113986

### Warranty:

Two-year limited



Rice Lake VS-36 in folded position