

FLOOR SCALES

# RL1200 Portable Beam Scale

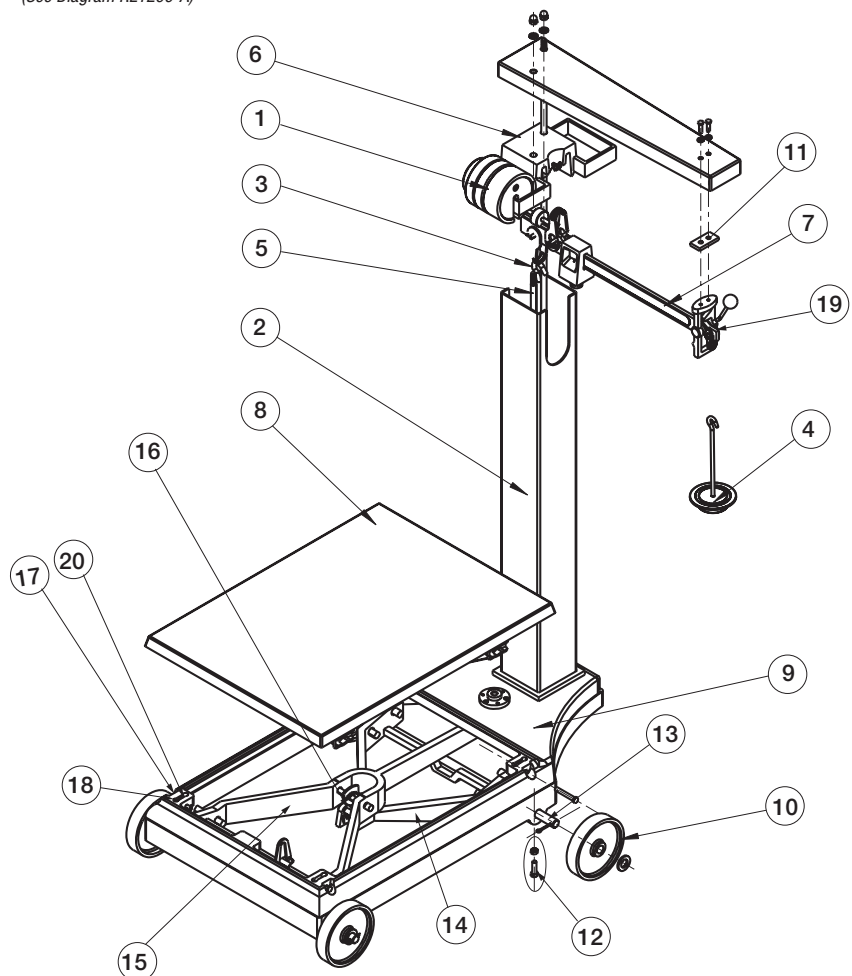
Beam and Column Assembly



## Part Number/Price

Ref#	Part#	Description	Price
1	162236	Counterpoise weights, (1) 50 kg, (2) 100 kg, (1) 200 kg	Consult
1	162237	Counterpoise weights, (1) 100 lb, (2) 200 lb, (1) 400 lb	Consult
2	162239	Pillar	Consult
3	162240	Steelyard rod	Consult
4	162241	Counterpoise assembly, kg	Consult
4	162242	Counterpoise assembly, lb	Consult
5	162243	Pillar rod, set of 2	Consult
6	162244	Weight rack	Consult
7	162301	Beam assembly (includes poise weight)	Consult
7	162302	Beam assembly (includes poise weight)	Consult
8	162246	Platform	Consult
9	162247	Base frame (not incl. levels)	Consult
10	162248	Wheel	Consult
11	162249	Trig loop shim	Consult
12	162250	Axle set bolt with nut, set of 4	Consult
13	162251	Axle, set of 2	Consult
14	162252	Short lever (includes pivots)	Consult
15	162253	Long lever (includes pivot)	Consult
16	162254	Center connection with bearings	Consult
17	162255	Fulcrum loop support pin, set of 4	Consult
18	162256	Fulcrum loop with bearing, set of 4	Consult
19	162258	Trig loop	Consult
20	162257	Load and fulcrum pivots for long and short level, set of 8	Consult

(See Diagram RL1200-A)



RL1200-A