

SINGLE POINT  
**RL1521A**

Aluminum, Environmentally Sealed, NTEP Certified 1:5,000 Class III Single Cell, IP66



Picture is a representation of actual product.

Approvals

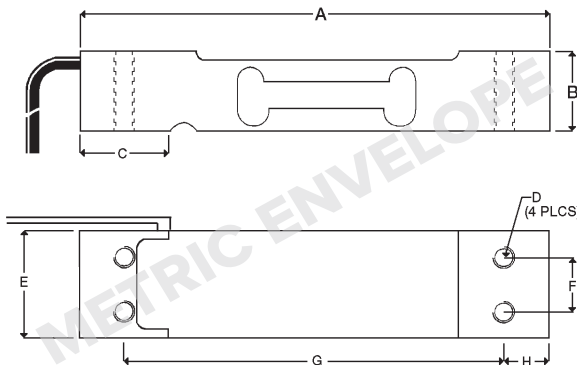


Order Information:

Load Rating	Part #	Est. Weight	Price
<b>1.50 ft Cables</b>			
3 kg	50620	1 lb	Consult
5 kg	50619	1 lb	Consult
7 kg	50621	1 lb	Consult
10 kg	50622	1 lb	Consult
15 kg	50623	1 lb	Consult
20 kg	50624	1 lb	Consult
30 kg	50625	1 lb	Consult
35 kg	50626	1 lb	Consult
<b>10 ft Cables</b>			
3 kg	132261	3 lb	Consult
5 kg	132262	3 lb	Consult
7 kg	132263	3 lb	Consult
10 kg	132264	3 lb	Consult
15 kg	132265	3 lb	Consult
20 kg	132266	3 lb	Consult
30 kg	132267	3 lb	Consult
35 kg	132268	3 lb	Consult

Dimension

Rated Capacity	A	B	C	D	E	F	G	H
kg/mm								
3 to 7	130.0	22.0	25.0	M6 × 1.0	25.4	15.0	106.0	12.0
10 to 30	130.0	22.0	25.0	M6 × 1.0	30.0	15.0	106.0	12.0
35	130.0	22.0	25.0	M6 × 1.0	40.0	15.0	106.0	12.0



Interchangeable Products

- VPG® CELTRON®
- LPS except 3 kg ..... page 197
- VPG® TEDEA-HUNTLEIGH®
- 1022 ..... page 310
- VPG® BLH®
- C2G1
- FAIRBANKS®
- 4900 Series
- Checkweighers
- NMB®
- C2G1
- ARTECH®
- 61022

Specifications

- Full Scale Output:**  
2.0 mV/V
- Output Resistance:**  
350 (± 3) ohm
- Input Resistance:**  
410 (± 15) ohm
- Material/Finish:**  
Aluminum
- Temperature:**  
Compensated:  
14 °F to 104 °F (-10 °C to 40 °C)  
Operating:  
0 °F to 150 °F (-18 °C to 65 °C)
- Seal Type:**  
Environmentally sealed, IP66
- Safe Overload:**  
150% full scale
- Rated Excitation:**  
5 to 10 VDC (15 V maximum)
- Combined Error:**  
0.03% full scale
- Insulation Resistance:**  
2,000 megohm
- Cable Length:**  
10 ft  
1.50 ft
- Cable Diameter:**  
0.14 in PVC jacket
- Cable Color Code:**  
Green +Excitation  
Black -Excitation  
Red +Signal  
White -Signal
- Max Platform Size:**  
13.75 × 13.75 in
- Warranty:**  
Two-year limited
- Approvals:**  
cFMus  
NTEP 98-166

RICE LAKE  
LOAD CELLS