

# RL1600/65016 TWA Series Tank Weighing Assembly

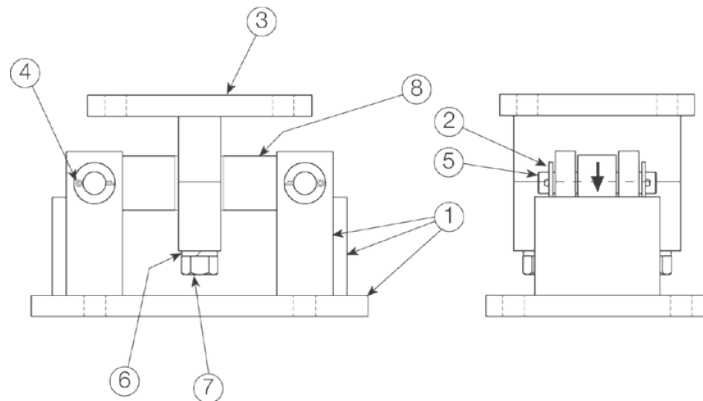
Stainless Steel



## Part Number/Price

Ref#	Part#	Description	Price
	<b>16952</b>	Installation manual	Consult
<b>Rated Capacity: 1,000 lb - 5,000 lb</b>			
1	<b>22754</b>	Tank-mount base	Consult
2	<b>15166</b>	Washer	Consult
3	<b>22755</b>	Load plate and clamp	Consult
4	<b>15233</b>	Cotter pin	Consult
5	<b>22747</b>	Pin	Consult
6	<b>15168</b>	Lock washer	Consult
7	<b>14758</b>	Clamp screw bolt	Consult
8	<b>17301</b>	Load cell, RL75016SS - 1,000 lb	Consult
	<b>17303</b>	Load cell, RL75016SS - 1,500 lb	Consult
	<b>17305</b>	Load cell, RL75016SS - 2,000 lb	Consult
	<b>17307</b>	Load cell, RL75016SS - 2,500 lb	Consult
	<b>17310</b>	Load cell, RL75016SS - 5,000 lb	Consult
	<b>67043</b>	Load cell, RL75016WHE - 1,000 lb	Consult
	<b>67044</b>	Load cell, RL75016WHE - 1,500 lb	Consult
	<b>67045</b>	Load cell, RL75016WHE - 2,000 lb	Consult
	<b>67046</b>	Load cell, RL75016WHE - 2,500 lb	Consult
	<b>67047</b>	Load cell, RL75016WHE - 5,000 lb	Consult
	<b>36295</b>	Sensortronics load cell, 65016W - 1,000 lb	Consult
	<b>36296</b>	Sensortronics load cell, 65016W - 1,500 lb	Consult
<b>36298</b>	Sensortronics load cell, 65016W - 2,500 lb	Consult	
<b>36299</b>	Sensortronics load cell, 65016W - 5,000 lb	Consult	
<b>Rated Capacity: 10,000 lb - 25,000 lb</b>			
1	<b>22756</b>	Tank-mount base	Consult
2	<b>15180</b>	Washer	Consult
3	<b>22757</b>	Load plate and clamp	Consult
4	<b>15238</b>	Cotter pin	Consult
5	<b>22750</b>	Pin	Consult
6	<b>15182</b>	Lock washer	Consult
7	<b>15098</b>	Clamp screw cap	Consult
8	<b>17312</b>	Load cell, RL75016SS - 10,000 lb	Consult
	<b>17314</b>	Load cell, RL75016SS - 15,000 lb	Consult
	<b>17316</b>	Load cell, RL75016SS - 20,000 lb	Consult
	<b>17318</b>	Load cell, RL75016SS - 25,000 lb	Consult
	<b>67048</b>	Load cell, RL75016WHE - 10,000 lb	Consult
	<b>67049</b>	Load cell, RL75016WHE - 15,000 lb	Consult
	<b>67050</b>	Load cell, RL75016WHE - 20,000 lb	Consult
	<b>67051</b>	Load cell, RL75016WHE - 25,000 lb	Consult
	<b>36300</b>	Sensortronics load cell, 65016W - 10,000 lb	Consult
	<b>36301</b>	Sensortronics load cell, 65016W - 15,000 lb	Consult
<b>36302</b>	Sensortronics load cell, 65016W - 20,000 lb	Consult	
<b>36303</b>	Sensortronics load cell, 65016W - 25,000 lb	Consult	

(See Diagram RL1600-D)



RL1600-D

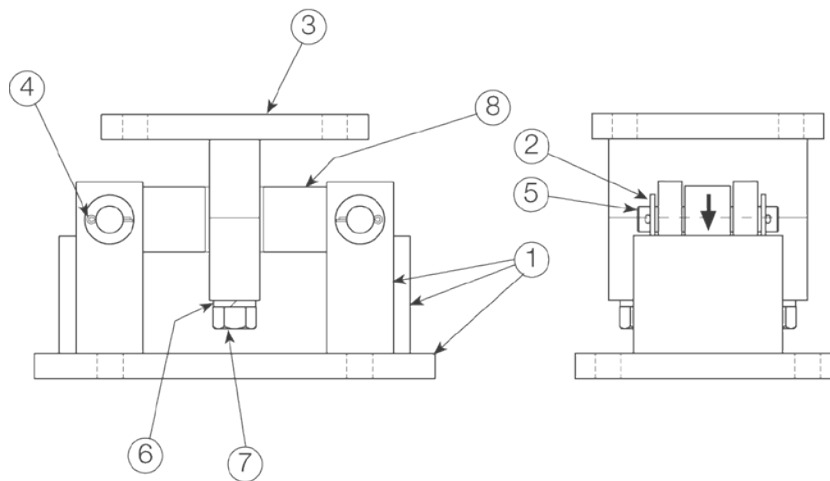
# RL1600/65016 TWA Series Tank Weighing Assembly

Stainless Steel

## Part Number/Price

Ref#	Part#	Description	Price
	<b>16952</b>	Installation manual	Consult
<b>Rated Capacity: 50,000 lb and 75,000 lb</b>			
1	<b>10124</b>	Tank-mount base	Consult
2	<b>86516</b>	Washer	Consult
3	<b>10128</b>	Load plate and clamp, 50,000 lb only	Consult
	<b>25365</b>	Load plate and clamp, 75,000 lb only*	Consult
4	<b>15258</b>	Cotter pin	Consult
5	<b>22753</b>	Pin	Consult
6	<b>15189</b>	Lock washer	Consult
7	<b>14800</b>	Clamp screw bolt	Consult
8	<b>17320</b>	Load cell, RL75016SS - 50,000 lb	Consult
	<b>25356</b>	Load cell, RL75016SS - 75,000 lb	Consult
	<b>36304</b>	Sensortronics load cell, 65016W - 50,000 lb	Consult
	<b>36305</b>	Sensortronics load cell, 65016W - 75,000 lb	Consult

\* Note: Square load cell clamp  
(See Diagram RL1600-E)



RL1600-E