

RL1600 Series with RL75016

Cast Iron, Weigh Modules



Complete Kit Includes

- Three or four RL1600 cast iron compression mounts with RL75016 environmentally protected double-ended shear beam load cells
- One JB4SS NEMA Type 4X stainless steel signal trim junction box
- 25 ft of hostile environment EL147HE SURVIVOR® load cell cable

Standard Features

- Capacities (per module): 1,000 to 25,000 lb
- Cast iron construction
- Self-checking easy-to-use design allows module to be bolted directly to tank leg without requiring additional mounting plates or load buttons
- Double-ended beam design, center loaded
- Compatible with VPG® Sentionics® 65016 load cells, capacities (per module): 1,000 to 25,000 lb

Applications

- Medium- to heavy-capacity tanks, bins and hoppers
- Bulk material management

Picture is a representation of actual product.

Order Information

Load Rating (Per Module)	Part #	Price
Single Module (Does NOT Include Load Cell)		
1,000 to 5,000 lb	17964	Consult
10,000 to 25,000 lb	17965	Consult
3-Module Kit		
1,000 lb	25663	Consult
1,500 lb	25664	Consult
2,000 lb	25665	Consult
2,500 lb	25666	Consult
3,000 lb	25667	Consult
5,000 lb	25668	Consult
10,000 lb	25669	Consult
15,000 lb	25671	Consult
20,000 lb	25672	Consult
25,000 lb	25674	Consult
4-Module Kit		
1,000 lb	25675	Consult
1,500 lb	25676	Consult
2,000 lb	25677	Consult
2,500 lb	25678	Consult
3,000 lb	25679	Consult
5,000 lb	25680	Consult
10,000 lb	25681	Consult
15,000 lb	25682	Consult
20,000 lb	25683	Consult
25,000 lb	25684	Consult

Contact factory for load cell upgrade

Dimensions

Rated Capacity	C	H	H1	H2	L	L1	L2	L3	T	W	W1	W2	W3
1,000 to 5,000 lb/in	0.56	5.00	0.50	0.50	9.31	2.75	4.00	6.25	1/2-13 UNC	5.00	3.75	2.75	4.00
10,000 to 25,000	0.78	7.89	0.75	0.75	12.00	6.00	8.00	7.50	3/4-10 UNC	8.00	6.00	6.00	8.00

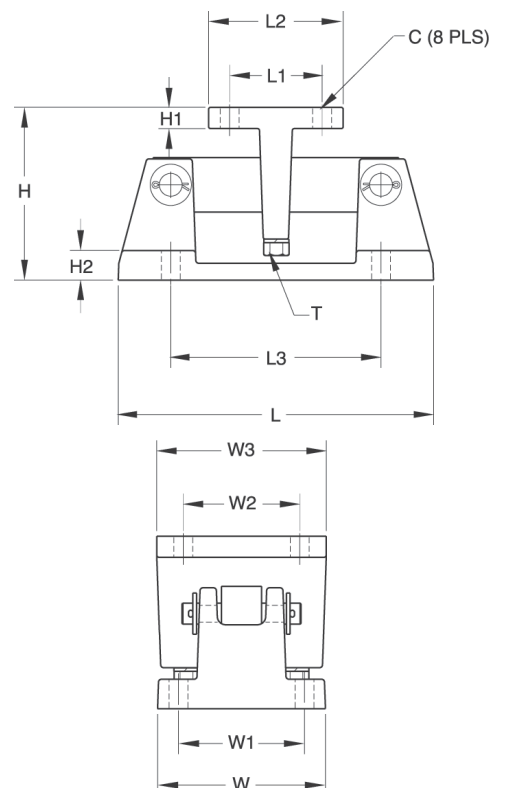
VPG Sentionics 65016 Order Information

Load Rating (Per Module)	Part #	Price
3-Module Kit		
1,000 lb	25685	Consult
1,500 lb	25686	Consult
2,500 lb	25688	Consult
5,000 lb	25690	Consult
10,000 lb	25691	Consult
15,000 lb	25692	Consult
20,000 lb	25693	Consult
25,000 lb	25694	Consult
4-Module Kit		
1,000 lb	25695	Consult
1,500 lb	25696	Consult
2,500 lb	25698	Consult
5,000 lb	25700	Consult
10,000 lb	25701	Consult
15,000 lb	25702	Consult
20,000 lb	25703	Consult
25,000 lb	25704	Consult
Dummy Load Cells		
1,000 to 5,000 lb	18236	Consult
10,000 to 25,000 lb	18237	Consult

Contact factory for load cell upgrade

Shims, Mild Steel

	Part #	Price
1,000 to 5,000 lb		
0.0625 in	150844	Consult
0.125 in	150845	Consult
0.250 in	150846	Consult
10,000 to 25,000 lb		
0.0625 in	150847	Consult
0.125 in	150848	Consult
0.250 in	150849	Consult



WEIGH MODULES