

RL1600 Series with RL75016SS

Stainless Steel, Weigh Modules



Picture is a representation of actual product.

Load Cell Approvals



Order Information

Load Rating (Per Module)	Part #	Price
Single Module (Does NOT Include Load Cell)		
1,000 to 5,000 lb	17813	Consult
10,000 to 25,000 lb	17815	Consult
50,000 lb	17842	Consult
75,000 lb	25347	Consult
3-Module Kit		
1,000 lb	18141	Consult
1,500 lb	18142	Consult
2,000 lb	18143	Consult
2,500 lb	18144	Consult
5,000 lb	18145	Consult
10,000 lb	18146	Consult
15,000 lb	18147	Consult
20,000 lb	18148	Consult
25,000 lb	18149	Consult
50,000 lb	18150	Consult
75,000 lb	25352	Consult
4-Module Kit		
1,000 lb	18152	Consult
1,500 lb	18153	Consult
2,000 lb	18154	Consult
2,500 lb	18155	Consult
5,000 lb	18156	Consult
10,000 lb	18157	Consult
15,000 lb	18158	Consult
20,000 lb	18159	Consult
25,000 lb	18160	Consult
50,000 lb	18161	Consult
75,000 lb	25353	Consult

Dimensions

Rated Capacity	C	H	H1	H2	L	L1	L2	L3	T	W	W1	W2	W3
lb/in													
1,000 to 5,000	0.56	5.00	0.50	0.50	9.25	2.75	4.00	6.25	1/2-13 UNC	5.00	3.75	2.75	4.00
10,000 to 25,000	0.78	7.87	0.75	0.75	12.00	6.00	8.00	7.50	3/4-10 UNC	8.00	6.00	6.00	8.00
50,000 to 75,000	0.78	9.25	1.00	1.00	16.25	6.50	9.00	11.50	1 1/4-7 UNC	12.00	9.50	6.50	9.00

VPG Sensortronics 65016W Order Information

Load Rating (Per Module)	Part #	Price
3-Module Kit		
1,000 lb	18213	Consult
1,500 lb	18214	Consult
2,500 lb	18216	Consult
5,000 lb	18217	Consult
10,000 lb	18218	Consult
15,000 lb	18219	Consult
20,000 lb	18220	Consult
25,000 lb	18221	Consult
50,000 lb	18222	Consult
75,000 lb	25354	Consult
4-Module Kit		
1,000 lb	18224	Consult
1,500 lb	18225	Consult
2,500 lb	18227	Consult
5,000 lb	18228	Consult
10,000 lb	18229	Consult
15,000 lb	18230	Consult
20,000 lb	18231	Consult
25,000 lb	18232	Consult
50,000 lb	18233	Consult
75,000 lb	25355	Consult
Dummy Load Cells (Mild Steel)		
1,000 to 5,000 lb	18236	Consult
10,000 to 25,000 lb	18237	Consult
50,000 lb	18238	Consult

Complete Kit Includes

- Three or four RL1600 stainless steel compression mounts with RL75016SS environmentally protected stainless steel double-ended shear beam load cells
- One JB4SS NEMA Type 4X stainless steel signal trim junction box
- 25 ft of hostile environment EL147HE SURVIVOR® load cell cable

Standard Features

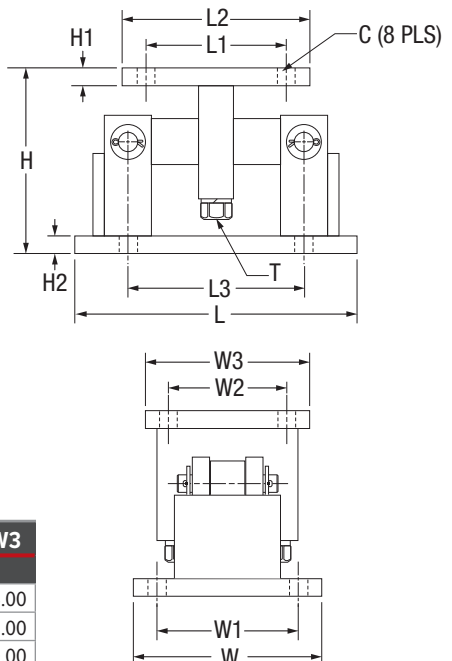
- Capacities (per module): 1,000 to 75,000 lb
- Stainless steel construction
- Self-checking, easy-to-use design allows module to be bolted directly to tank leg without requiring additional mounting plates or load buttons
- Double-ended shear beam design, center loaded
- Compatible with VPG® Sensortronics® 65016W SS load cells

Applications

- Medium- to heavy-capacity tanks, bins and hoppers
- Bulk material management

Shims, Stainless

Part #	Price
1,000 to 5,000 lb	
0.0625	150852 Consult
0.125	150853 Consult
0.250	150854 Consult
10,000 to 25,000 lb	
0.0625	150855 Consult
0.125	150856 Consult
0.250	150857 Consult
50,000 to 75,000 lb	
0.0625	150858 Consult
0.125	150859 Consult
0.250	150861 Consult



WEIGH MODULES