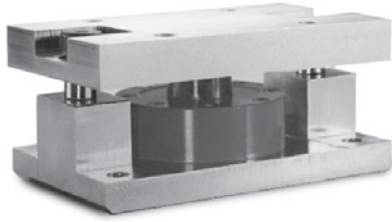


RL2200 Load Cell Mounting Kit

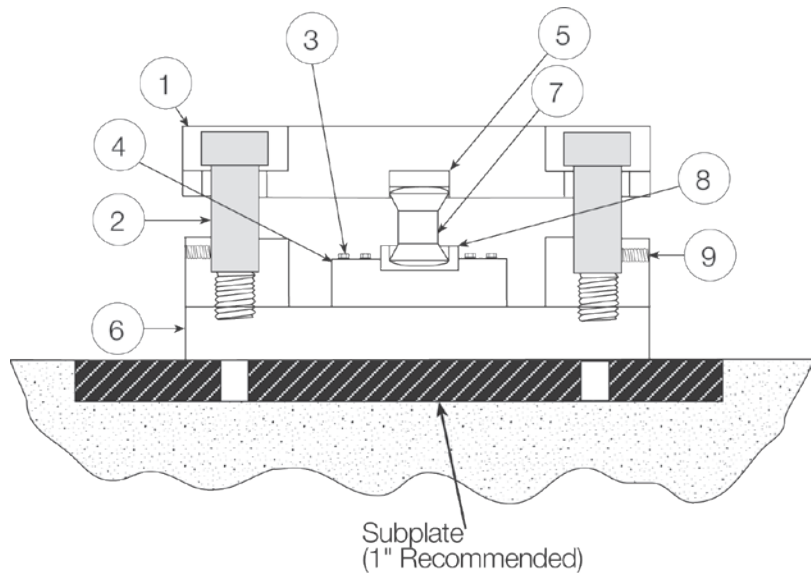
Stainless Steel



Part Number/Price

Ref#	Part#	Description	Price
	49596	Installation manual	Consult
Rated Capacity: 2,500 lb and 10,000 lb			
1	45563	Top-plate	Consult
2	45568	Shoulder screw	Consult
3	45569	Load cell bolts	Consult
4	76655	Load cell, RL2200 - 2,500 lb	Consult
	45712	Load cell, RL2200 - 5,000 lb	Consult
	45713	Load cell, RL2200 - 10,000 lb	Consult
5	45564	Bearing, upper insert	Consult
6	45557	Base plate	Consult
7	45565	Rocker pin	Consult
8	50861	Dust boot	Consult
9	14950	Set screws	Consult
Rated Capacity: 25,000 lb and 50,000 lb			
1	45548	Top-plate	Consult
2	45552	Shoulder screw	Consult
3	45554	Load cell bolts	Consult
4	45714	Load cell, RL2200 - 25,000 lb	Consult
	45715	Load cell, RL2200 - 50,000 lb	Consult
5	45549	Bearing, upper insert	Consult
6	45542	Base plate	Consult
7	45550	Rocker pin	Consult
8	45566	Dust boot	Consult
9	45697	Set screws	Consult

(See Diagram RL2200-B)



RL2200-B