

Fluid Damped, Stainless Steel, Environmentally Sealed, NTEP Certified Single Cell 1:3,000, IP68



Picture is a representation of actual product.

Approvals

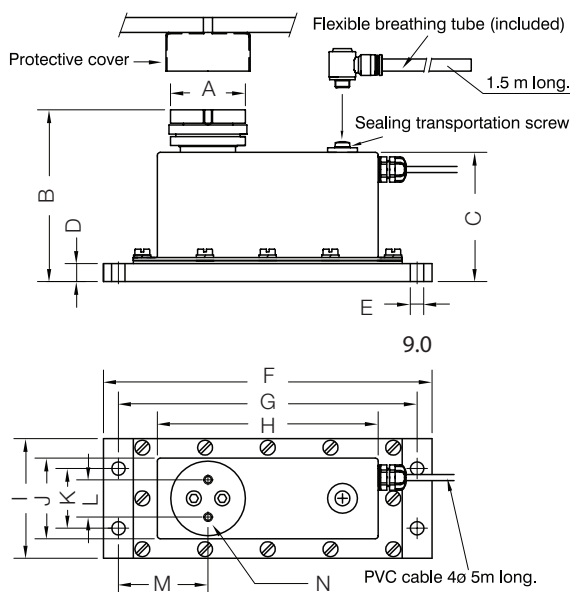


Order Information

Load Rating	Part #	Est. Weight	Price
2 kg	194928	8 lb	Consult
3 kg	199001	8 lb	Consult
5 kg	194929	8 lb	Consult
7 kg	194930	8 lb	Consult
10 kg	194932	8 lb	Consult
15 kg	194933	8 lb	Consult
20 kg	194934	8 lb	Consult
30 kg	194935	8 lb	Consult
50 kg	194936	16 lb	Consult

Dimensions

Rated Capacity	A	B	C	D	E	F	G	H	I	J	K	L	M	N
kg/mm														
2 to 50	50 dia	115.0	86.5	12.0	9.0	220.0	200.0	148.0	80.0	54.0	40.0	25.0	60.0	1/4-20 UNC



Interchangeable Products

VPG® TEDEA-HUNTLEIGH

240* page 340

*5000d NTEP, 10ft cable

Specifications

Full Scale Output:
2.0 mV/V

Output Resistance:
350 (± 3) ohm

Input Resistance:
400 (± 20) ohm

Material/Finish:
Stainless steel

Temperature:
Compensated range
14 °F to 104 °F (-10 °C to 40 °C)
Operating range
0 °F to 150 °F (-18 °C to 65 °C)

Seal Type:
Environmentally sealed, IP68

Safe Overload:
200% of full scale

Rated Excitation:
5 to 10 VDC

Combined Error:
0.017% full scale

Insulation Resistance:
> 5,000 megohm

Cable Length:
5 m

Cable Color Code:
Green +Excitation
Black -Excitation
Red +Signal
White -Signal
Blue +Sense
Yellow -Sense

Warranty:
Two-year limited

Approvals:
NTEP 20-045
cFMus

**RICE LAKE
LOAD CELLS**