

SINGLE-ENDED BEAM  
**RL32018S-T**

Stainless Steel, Hermetically Sealed, NTEP Certified, 1:5,000 Class III Multiple Cell, IP69K



Picture is a representation of actual product.

Approvals

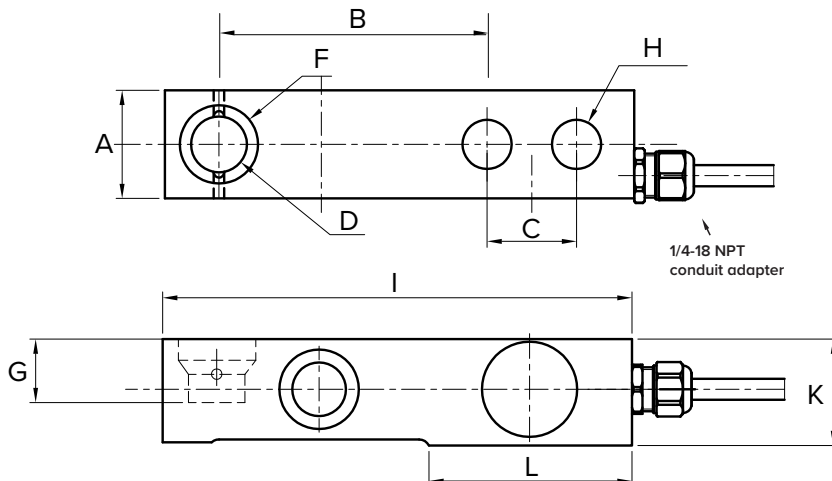


Order Information

Load Rating	Part #	Est. Weight	Price
<b>15 ft Cable</b>			
500 lb	<b>189189</b>	3 lb	Consult
1,250 lb	<b>189190</b>	3 lb	Consult
2,500 lb	<b>189191</b>	3 lb	Consult
5,000 lb	<b>189192</b>	5 lb	Consult
10,000 lb	<b>189193</b>	5 lb	Consult
<b>30 ft Cable</b>			
500 lb	<b>191974</b>	3 lb	Consult
1,250 lb	<b>191975</b>	3 lb	Consult
2,500 lb	<b>191976</b>	3 lb	Consult
5,000 lb	<b>191977</b>	5 lb	Consult
10,000 lb	<b>191978</b>	5 lb	Consult
<b>Replacement load pins</b>			
Rocker pin 500 to 2.5 K	<b>108612</b>	1 lb	Consult
Rocker pin 5 K	<b>130408</b>	1 lb	Consult
Rocker pin 10 K	<b>131376</b>	1 lb	Consult
O-ring (two per pin)	<b>108202</b>	1 lb	Consult

Dimensions

Rated Capacity	A	B	C	D	F	G	H	I	K	L
lb/in										
500 to 1,250	1.21	3.00	1.00	0.62	0.88	0.68	0.51	5.25	1.19	2.27
2,500	1.21	3.00	1.00	0.62	0.88	0.68	0.51	5.25	1.19	2.27
5,000	1.44	3.00	1.00	0.62	0.88	0.90	0.51	5.38	1.44	2.28
10,000	1.69	3.75	1.50	0.88	1.38	1.15	0.76	6.75	1.69	2.91



Interchangeable Products

- METTLER-TOLEDO®  
**TB600529-500 lb**
- METTLER-TOLEDO  
**TB600363-1,250 lb**
- METTLER-TOLEDO  
**TB600342-2,500 lb**
- METTLER-TOLEDO  
**TB600343-5,000 lb**
- METTLER-TOLEDO  
**TB600364-10,000 lb**
- HBK®  
**THC**

Weigh Module Available

RICE LAKE WEIGHING SYSTEMS  
**RLTM**..... page 58

Specifications

- Full Scale Output:**  
 2.0 mV/V ± 0.05%  
 mV/V/ohm calibration
- Output Resistance:**  
 350 (± 3) ohm
- Input Resistance:**  
 400 (± 20) ohm
- Material/Finish:**  
 Stainless steel
- Temperature:**  
 Compensated range  
 14 °F to 104 °F (-10 °C to 40 °C)  
 Operating range  
 0 °F to 150 °F (-18 °C to 65 °C)
- Seal Type:**  
 Hermetically sealed, IP69K
- Safe Overload:**  
 150% full scale
- Rated Excitation:**  
 5 to 10 VDC
- Combined Error:**  
 0.017% full scale
- Insulation Resistance:**  
 5,000 megohm
- Cable Length:**  
 15 ft  
 30 ft
- Cable Color Code:**  
 Green +Excitation  
 Black -Excitation  
 White +Signal  
 Red -Signal
- Warranty:**  
 Two-year limited
- Approvals:**  
 cFMus  
 NTEP 18-106

RICE LAKE  
LOAD CELLS