

Discontinued

SINGLE-ENDED BEAM RL35023S MLC Coated

Stainless Steel, Environmentally Sealed, NTEP Certified 1:5,000 Class III Multiple Cell, IP67



Picture is a representation of actual product.

Approvals



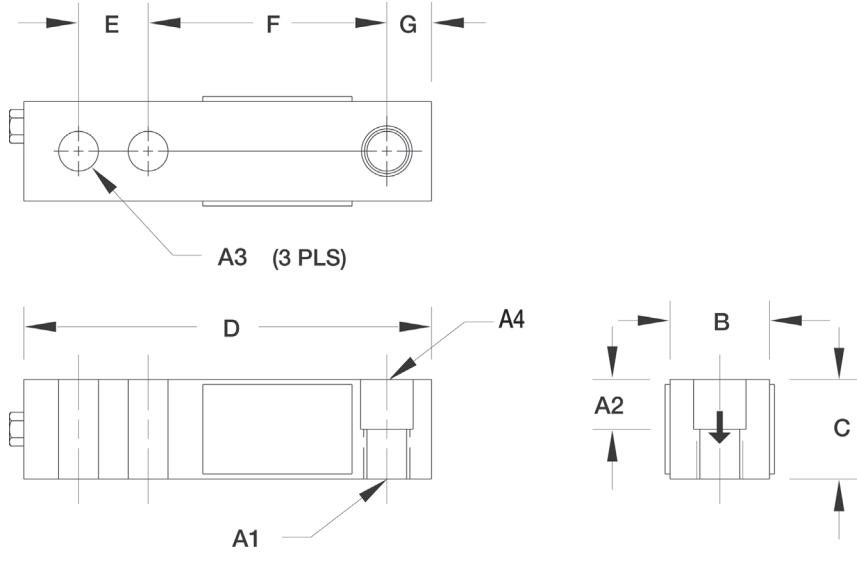
Order Information

Load Rating	Part #	Est. Weight	Price
10,000 lb	182759	3 lb	Consult
Conduit Adapter Kit (must be factory installed to maintain warranty)			
3/8-24 nipple	31533*	1 lb	Consult
3/8-24 to 1/4-18 NPT	31534*	1 lb	Consult

* PN 31533 and PN 31534 must be installed together to form the Conduit Adapter Kit

Dimensions

Rated Capacity	A1	A2	A3	A4	B	C	D	E	F	G
10,000 lb/in	3/4-16 UNF	0.75	0.78	0.78 dia	1.50	1.50	6.75	1.50	3.75	0.75



Interchangeable Products

- VPG® SENSORTRONICS®
65023S* page 283
- VPG SENSORTRONICS
65023SS* page 282
- VPG® CELTRON®
SQB-HSS* page 192

Weigh Module Available

- RICE LAKE WEIGHING SYSTEMS
RL50210TA..... page 41
- RICE LAKE WEIGHING SYSTEMS
RL1800 Series..... page 52

*Cells are uncoated

Specifications

- Full Scale Output:**
3.0 mV/V
- Output Resistance:**
349 to 355 ohm
- Input Resistance:**
343 to 357 ohm
- Material/Finish:**
Stainless steel, coated
- Temperature:**
Compensated:
14 °F to 104 °F (-10 °C to 40 °C)
Operating:
0 °F to 150 °F (-18 °C to 65 °C)
- Seal Type:**
Environmentally sealed, IP67
- Safe Overload:**
150% full scale
- Safe Sideload:**
100% full scale
- Rated Excitation:**
5 to 10 VDC (15 V maximum)
- Combined Error:**
0.02% full scale
- Insulation Resistance:**
5,000 megohm
- Deflection at Capacity:**
10,000 lb: 0.025 to 0.035 in
- Cable Length:**
20 ft
- Cable Diameter:**
0.200 in
Polyurethane jacket
- Cable Color Code:**
Red +Excitation
Black -Excitation
Green +Signal
White -Signal
- Warranty:**
Two-year limited
- Approvals:**
cFMus
NTEP 94-134

**RICE LAKE
LOAD CELLS**