

RL50210 TA/65059 Mini Tank Weighing Assembly

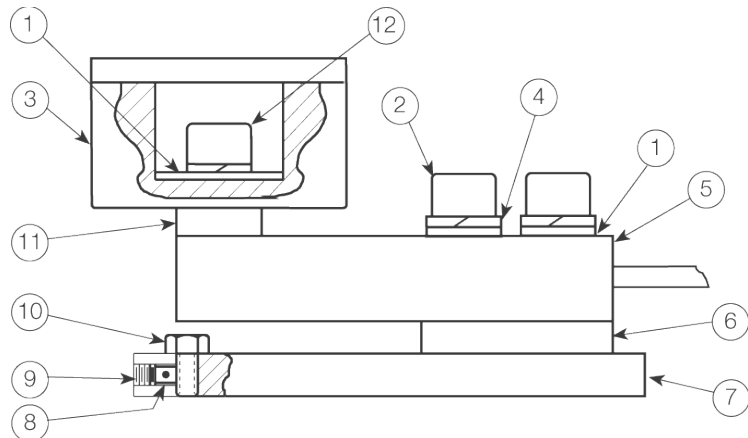
1000-2500lb Capacities



Part Number/Price

Ref#	Part#	Description	Price
	25713	Installation manual	Consult
Mild Steel Construction			
1	15173	1/2 in flat washer	Consult
2	15076	Socket-head cap screw	Consult
3	18258	Neoprene compression mount-1,000 lb	Consult
	26819	Neoprene compression mount-2,000 and 2,500 lb	Consult
4	15167	Lock washer	Consult
5	21528	Load Cell, RL35023 - 1000 lb	Consult
	21529	Load Cell, RL35023 - 2,000 lb	Consult
	21530	Load Cell, RL35023 - 2,500 lb	Consult
	21507	Sensortronics load cell, 65023 - 1,000 lb	Consult
	21508	Sensortronics load cell, 65023 - 2,000 lb	Consult
	21509	Sensortronics load cell, 65023 - 2,500 lb	Consult
6	18260	Spacer deflection	Consult
7	18248	Base plate	Consult
8	18246	Nylon plug	Consult
9	14949	Socket-head set screw	Consult
10	14886	Machine screw overload stop	Consult
11	18239	Loading spacer	Consult
12	15076	Screw, cap - 1,000 lb	Consult
1	15069	Screw, cap - 2,000 and 2,500 lb	Consult
Stainless Steel Construction			
1	15175	1/2 in flat washer	Consult
2	15077	Socket-head cap screw	Consult
3	18258	Neoprene compression mount - 1,000 lb	Consult
	26819	Neoprene compression mount - 2,000 & 2,500 lb	Consult
4	15168	1/2 in lock washer	Consult
5	30649	Load cell, RL35023S - 1,000 lb	Consult
	30650	Load cell, RL35023S - 2,000 lb	Consult
	30651	Load cell, RL35023S - 2,500 lb	Consult
	28925	Sensortronics load cell, 65023S - 1,000 lb	Consult
	28926	Sensortronics load cell, 65023S - 2,000 lb	Consult
	28927	Sensortronics load cell, 65023S - 2,500 lb	Consult
6	18383	Spacer plate	Consult
7	18382	Base plate	Consult
8	18246	Nylon plug	Consult
9	14950	Socket-head set screw	Consult
10	14887	Machine screw overload stop	Consult
11	18381	Loading spacer	Consult
12	15077	Screw, cap - 1,000 lb	Consult
	15065	Screw, cap - 2,000 and 2,500 lb	Consult

(See Diagram RL50210-C)



RL50210-C