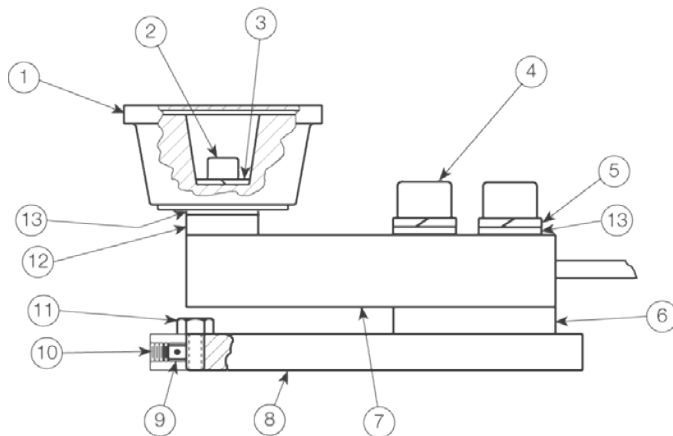


RL50210 TA/65059 Mini Tank Weighing Assembly

500 lb Capacity

Ref#	Part#	Description	Price
	25713	Installation manual	Consult
Mild Steel Construction			
1	18244	Vibration mount	Consult
2	32185	Socket-head cap screw	Consult
3 & 5	15167	Lock washer	Consult
4	15069	Socket-head load cell bolts	Consult
6	17754	Deflection Spacer	Consult
7	17342	Load cell, RL30000 - 500 lb	Consult
	17125	Sensortronics load cell, 65023 - 500 lb	Consult
8	18248	Base plate	Consult
9	18246	Nylon plug	Consult
10	14949	Socket-head set screw	Consult
11	14886	Screw, overload stop	Consult
12	18259	Loading spacer	Consult
13	15173	Flat washer	Consult
Stainless Steel Construction			
1	18244	Vibration mount	Consult
2	32280	Socket-head cap screw	Consult
3	15168	Lock washer	Consult
4	15065	Socket-head load cell bolts	Consult
5	15168	1/2 in lock washer	Consult
6	18411	Deflection Spacer	Consult
7	17387	Load cell, RL39123 - 500 lb	Consult
	17188	Sensortronics load cell, 65023SS - 500 lb	Consult
8	18382	Base plate	Consult
9	18246	Nylon plug	Consult
10	14950	Socket-head set screw	Consult
11	14887	Screw, overload stop	Consult
12	18410	Loading spacer	Consult
13	15175	Flat washer	Consult

(See Diagram RL50210-B)



RL50210-B