

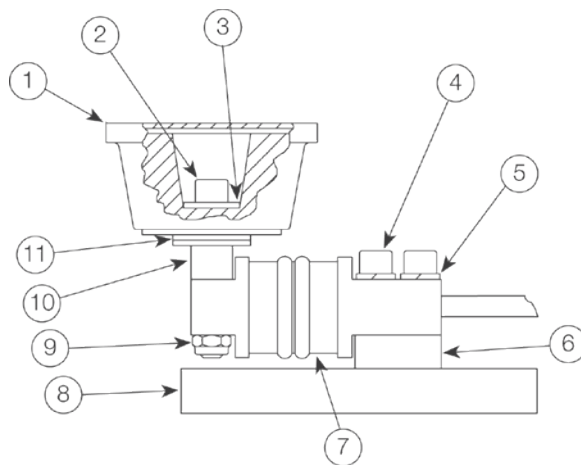
# RL50210 TA/65059 Mini Tank Weighing Assembly

Mild Steel Construction

## Part Number/Price

Ref#	Part#	Description	Price
	<b>25713</b>	Installation manual	Consult
<b>Rated Capacity: 50 lb – 250 lb</b>			
1	<b>18255</b>	Vibration mount-50 lb	Consult
	<b>18256</b>	Vibration mount-100 lb	Consult
	<b>18245</b>	Vibration mount-150 lb	Consult
	<b>18257</b>	Vibration mount-250 lb	Consult
2	<b>14983</b>	Socket-head cap screw	Consult
3	<b>21940</b>	Plain washer	Consult
4	<b>14982</b>	Socket-head load cell bolts	Consult
5	<b>15147</b>	1/4 in lock washer	Consult
6	<b>18241</b>	Deflection Spacer	Consult
7	<b>17380</b>	Load cell, RL50210-50 lb	Consult
	<b>17381</b>	Load cell, RL50210-100 lb	Consult
	<b>17382</b>	Load cell, RL50210-150 lb	Consult
	<b>17383</b>	Load cell, RL50210-250 lb	Consult
	<b>17370</b>	Sensortronics load cell, 60040-50 lb	Consult
	<b>17372</b>	Sensortronics load cell, 60040-100 lb	Consult
	<b>17373</b>	Sensortronics load cell, 60040-150 lb	Consult
	<b>17374</b>	Sensortronics load cell, 60040-250 lb	Consult
8	<b>18247</b>	Base plate	Consult
9	<b>14643</b>	Flex lock nut	Consult
10	<b>18240</b>	Loading spacer	Consult
11	<b>22011</b>	1/4 in type B plain washer	Consult

(See Diagram RL50210-A)



RL50210-A