

WEIGH MODULES

RL50210 TA Mini Tank Weighing Assembly

Stainless Steel Construction

Discontinued

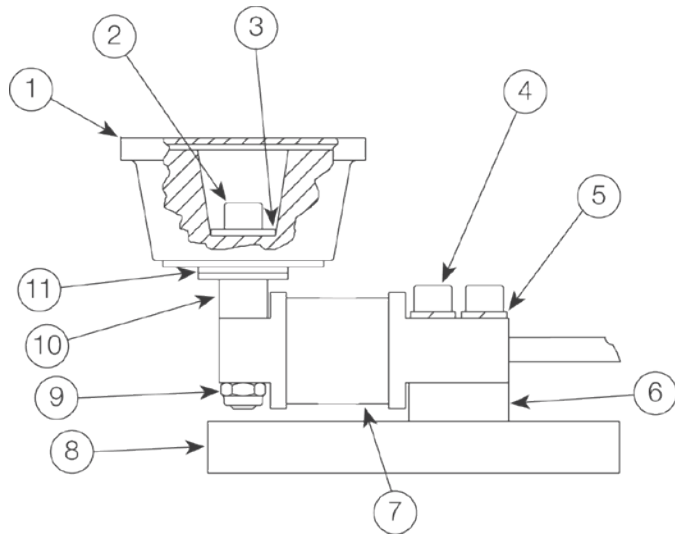


Limited Quantities Available

Part Number/Price

Ref#	Part#	Description	Price
	25713	Installation manual	Consult
Rated Capacity: 50 lb – 250 lb			
1	18255	Vibration mount-50 lb	Consult
	18256	Vibration mount-100 lb	Consult
	18245	Vibration mount-150 lb	Consult
	18257	Vibration mount-250 lb	Consult
2	63790	Socket-head cap screw	Consult
3	63791	Plain washer	Consult
4	63789	Socket-head load cell bolts	Consult
5	15148	1/4 in lock washer	Consult
6	63794	Spacer deflection	Consult
7	53213	Load cell, RL50210SS-150 lb	Consult
8	63795	Base plate	Consult
9	63788	Flex lock nut	Consult
10	63793	Loading spacer	Consult
11	63792	1/4 in plain washer	Consult

(See Diagram RL50210-A)



RL50210-A

Weigh Modules