

RL70510/RL80453

Stainless Steel, Hermetically Sealed, NTEP Certified 1:10,000 Class III L, IP69K



Picture is a representation of actual product.

Approvals



Order Information: RL70510

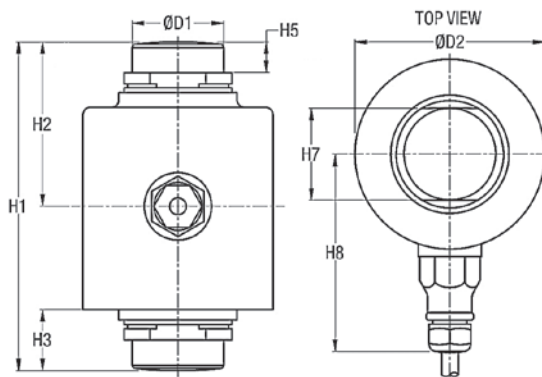
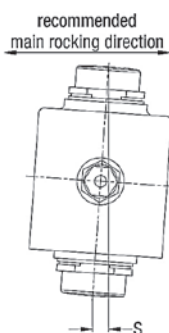
| Load Rating | Part # | Est. Weight | Price |
|----------------|--------|-------------|---------|
| 30t | 169363 | 6 lb | Consult |
| Upper load cup | 109332 | 4 lb | Consult |
| Lower load cup | 109331 | 4 lb | Consult |

Order Information: RL80453

| Load Rating | Part # | Est. Weight | Price |
|----------------|--------|-------------|---------|
| 100,000 lb | 169365 | 6 lb | Consult |
| Upper load cup | 109332 | 4 lb | Consult |
| Lower load cup | 109331 | 4 lb | Consult |

Dimensions

| Rated Capacity | H1 | H2 | H3 | H5 | H7 | H8 | D1 | D2 |
|----------------|------|------|------|------|------|------|------|------|
| t/in | | | | | | | | |
| 30 | 5.51 | 2.76 | 1.02 | 0.51 | 1.54 | 3.32 | 1.54 | 3.18 |
| lb/in | | | | | | | | |
| 100,000 | 5.91 | 2.95 | 1.30 | 0.51 | 1.54 | 3.32 | 1.54 | 3.18 |



Interchangeable Products

| | |
|------------|----------------|
| FAIRBANKS® | |
| 70510 | LCF HR 4020-2A |
| FAIRBANKS | |
| 80453 | LCF HR 4020-21 |

Specifications

Full Scale Output:

2.0 mV/V

Output Resistance:

1,000 (± 2) ohm

Input Resistance:

1,150 (± 50) ohm

Material/Finish:

Stainless steel

Temperature:

Compensated range

14 °F to 104 °F (-10 °C to 40 °C)

Operating range

0 °F to 150 °F (-18 °C to 65 °C)

Seal Type:

Hermetically sealed, IP69K

Safe Overload:

200% full scale

Rated Excitation:

5 to 10 VDC (15 V max)

Combined Error:

0.02% full scale

Insulation Resistance:

5,000 megohm

Cable Length:

15 ft

Cable Diameter:

0.200 in

Stainless steel overbraid cable

Cable Color Code:

Green +Excitation

Black -Excitation

White +Signal

Red -Signal

Yellow Shield

Warranty:

Two-year limited

Approvals:

NTEP 15-057

RICE LAKE
LOAD CELLS