

RL75114-50K

Stainless Steel, Welded Seal, NTEP Certified 1:10,000 Class III L, IP67



Picture is a representation of actual product.

Approvals



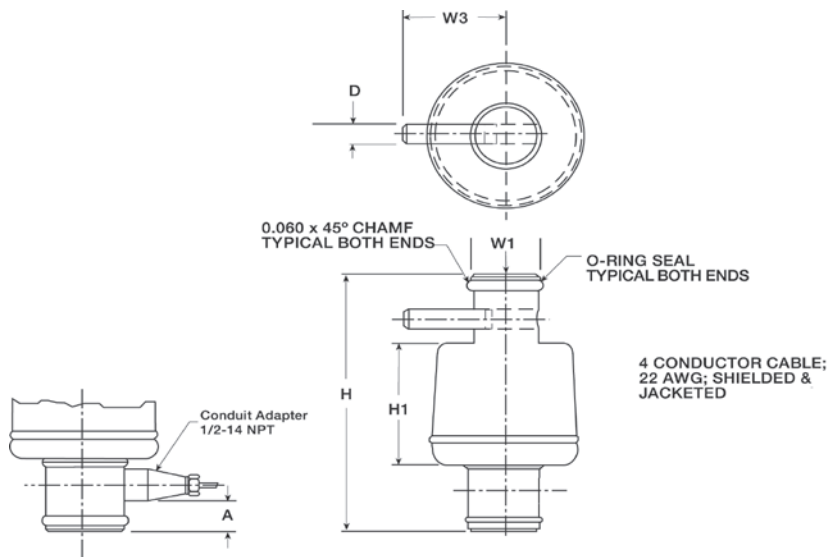
Order Information

Load Rating	Part #	Est. Weight	Price
50,000 lb LE	88074	6 lb	Consult
Replacement Parts			
Replacement O-ring	92988	1lb	Consult
Spring pin	116181	1 lb	Consult

LE=Large envelope
Not interchangeable with Sensortronics 65114 - different mV/V

Dimensions

Rated Capacity	A	D	H	H1	W1	W3
50,000 LE	0.87	0.38	7.56	2.82	1.46	2.18



Interchangeable Products

FAIRBANKS®
64166..... LCF HR 4020-2

Specifications

- Full Scale Output:**
1.8 mV/V nominal
- Output Resistance:**
1,000 (± 10) ohm
- Input Resistance:**
1,000 ohm
- Material/Finish:**
Stainless steel
- Temperature:**
Compensated range
14 °F to 104 °F (-10 °C to 40 °C)
Operating range
0 °F to 150 °F (-18 °C to 65 °C)
- Seal Type:**
Welded-seal, IP67
- Safe Overload:**
150% full scale
- Rated Excitation:**
5 to 10 VDC
- Combined Error:**
0.025% full scale
- Non-repeatability:**
0.01% full scale
- Insulation Resistance:**
1,000 megohm
- Cable Length:**
30 ft
- Cable Diameter:**
0.200 in overbraid cable
- Cable Color Code:**
Green +Excitation
Black -Excitation
White +Signal
Red -Signal
- Warranty:**
Two-year limited
- Approvals:**
NTEP 06-022
cFMus