



25K shown

5K shown

Load cup sold separately on 5,000 and 10,000 lb models.

Picture is a representation of actual product.

Approvals



Order Information

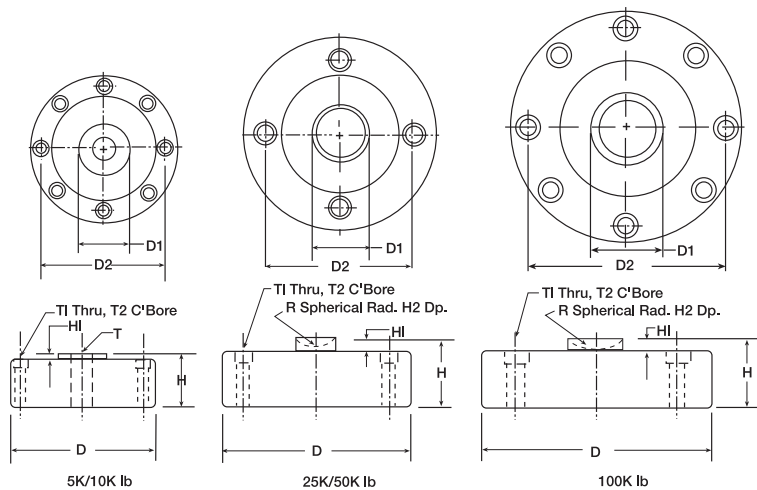
Load Rating	Part #	Est. Weight	Price
5,000 lb*	33061	6 lb	Consult
10,000 lb*	33062	6 lb	Consult
25,000 lb	33063	9 lb	Consult
50,000 lb	33064	9 lb	Consult
100,000 lb	33065	13 lb	Consult
Load Cup**	33616		Consult

*5,000lb and 10,000lb models can be used in compression and tension load applications.

**Load cup, PN 33616, is required for compression applications on 5,000lb and 10,000lb capacity load cells.

Dimensions

Rated Capacity	T	R	D	D1	D2	H	H1	H2	T1	T2
5,000* to 10,000*	5/8-18 UNF-3B	—	4.12	1.26	3.50	1.37	0.12	—	0.28	0.406 x 0.283 DP
25,000 to 50,000	—	0.875	4.75	1.53	4.00	2.12	0.50	0.30	0.34	0.508 x 0.38 DP
100,000	—	0.875	5.50	1.98	4.60	2.25	0.25	0.30	0.41	0.626 x 0.4 DP



Interchangeable Products

VPG® CELTRON

LCD page 213

Specifications

Full Scale Output:

4.0 mV/V

Output Resistance:

5,000 to 50,000 lb: 350 (± 3) ohm
100,000 lb: 700 (± 5) ohm

Input Resistance:

5,000 to 50,000 lb: 385 (± 5) ohm
100,000 lb: 770 (± 70) ohm

Material/Finish:

High-alloy steel, nickel plated

Temperature:

Operating range
0 °F to 150 °F (-18 °C to 65 °C)

Seal Type:

Environmentally sealed, IP67

Safe Overload:

150% full scale

Safe Sideload:

100% full scale

Rated Excitation:

15 VDC (15 V maximum)

Nonlinearity:

0.05% full scale

Hysteresis:

0.02% full scale

Insulation Resistance:

2,000 megohm

Cable Length:

50 ft

Cable Diameter:

5,000 to 25,000 lb: 0.200 in
50,000 to 100,000 lb: 0.305 in Polyurethane jacket

Cable Color Code:

Red +Excitation
Black -Excitation
Green +Signal
White -Signal

Warranty:

Two-year limited

Approvals:

cFMus