

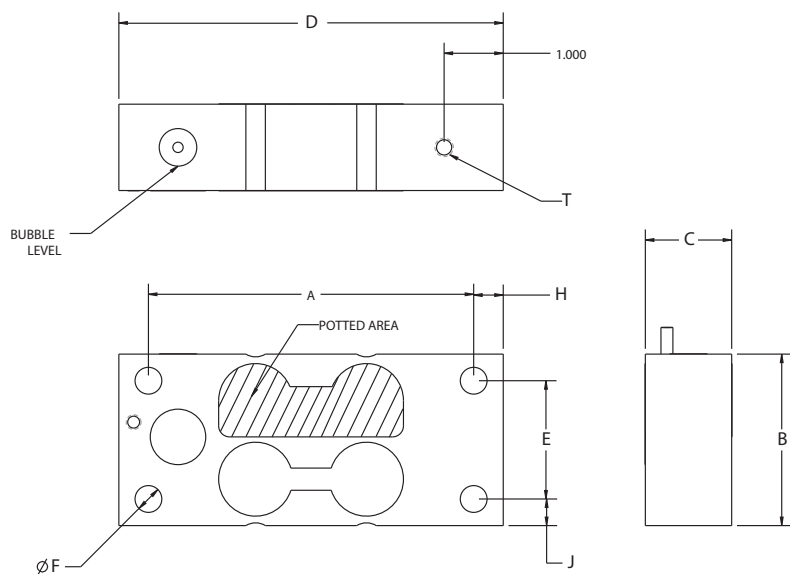
Picture is a representation of actual product.

### Order Information

Load Rating	Part #	Est. Weight	Price
50 lb	125612	3 lb	Consult

### Dimensions

Rated Capacity	A	B	C	D	E	F	H	J	T
50 lb/in	5.50	2.90	0.74	6.50	2.00	0.50	0.50	0.45	5/16-18 UNC x 0.50



### Interchangeable Products

EVERY WEIGH-TRONIX®  
FLS

### Specifications

- Full Scale Output:**  
1.0 (± 10%) mV/V
- Output Resistance:**  
350 (± 3) ohm
- Input Resistance:**  
385 (± 10) ohm
- Material/Finish:**  
Stainless steel
- Temperature:**  
Operating:  
0 °F to 150 °F (-18 °C to 65 °C)
- Seal Type:**  
Environmentally sealed, IP67
- Safe Overload:**  
150% full scale
- Rated Excitation:**  
5 to 15 VDC
- Nonlinearity:**  
0.02% full scale
- Hysteresis:**  
0.02% full scale
- Insulation Resistance:**  
5,000 megohm
- Cable Length:**  
10 ft
- Cable Color Code:**  
Green +Excitation  
Black -Excitation  
Red +Signal  
White -Signal
- Warranty:**  
Two-year limited

RICE LAKE  
LOAD CELLS