

RLHTO

Stainless Steel, Hermetically Sealed, IP66/68



Picture is a representation of actual product.

Approvals

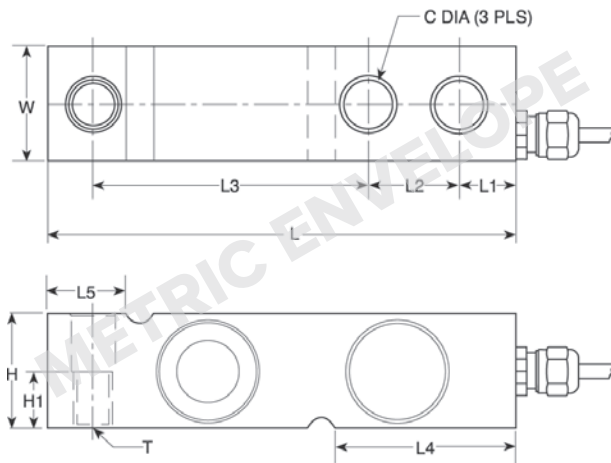


Order Information

Load Rating	Part #	Est. Weight	Price
500 kg	31253	3 lb	Consult
1,000 kg	31250	3 lb	Consult
2,000 kg	31251	3 lb	Consult
5,000 kg	31252	5 lb	Consult

Dimensions

Rated Capacity	C	H	H1	L	L1	L2	L3	L4	L5	T	W
kg/mm											
500 to 2,000	13.5	32.0	16.0	130.0	15.8	25.4	76.2	50.5	23.5	M12 x 1.75	32.0
5,000	20.5	48.0	—	171.5	19.0	38.1	95.3	70.0	37.0	—	36.5



RICE LAKE
LOAD CELLS

Interchangeable Products

VPG® TEDEA-HUNTLEIGH
3510-OIML page 324

Weigh Module Available

RICE LAKE WEIGHING SYSTEMS
1700 HEpage 33

Specifications

- Full Scale Output:**
2.0 mV/V
- Output Resistance:**
350 (± 3) ohm
- Input Resistance:**
380 (± 10) ohm
- Material/Finish:**
Stainless steel
- Temperature:**
Operating range
0 °F to 150 °F (-18 °C to 65 °C)
- Seal Type:**
Hermetically sealed, IP66/68
- Safe Overload:**
150% full scale
- Safe Sideload:**
100% full scale
- Rated Excitation:**
5 to 10 VDC (15 V maximum)
- Combined Error:**
0.02% applied load
- Insulation Resistance:**
2,000 megohm
- Deflection at Capacity:**
0.4 mm
- Cable Length:**
5 m
- Cable Diameter:**
0.220 in polyurethane jacket
- Cable Color Code:**
Blue +Excitation
Black -Excitation
White +Signal
Red -Signal
Green +Sense
Grey -Sense
- Warranty:**
Two-year limited
- Approvals:**
cFMus