



Picture is a representation of actual product.

Approvals

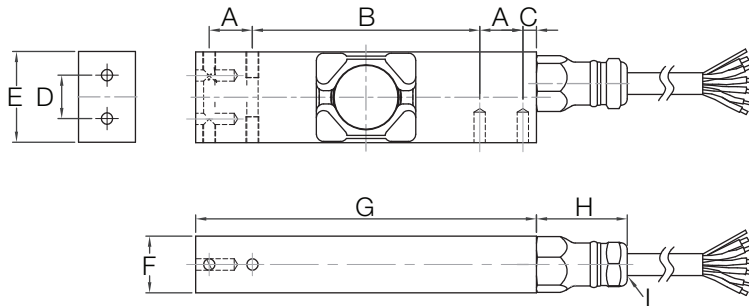


Order Information

Load Rating	Part #	Est. Weight	Price
10 kg	205270	3 lb	Consult
20 kg	205271	3 lb	Consult
50 kg	205272	3 lb	Consult
100 kg	205273	3 lb	Consult

Dimensions

Rated Capacity	A	B	C	D	E	F	G	H	I
kg/mm									
10 to 100	19.0	100.0	6.0	19.1	40.0	25.0	150.0	40.0	M4 × 6



Interchangeable Products

- FLINTEC®
PC4 page 217
- HBK®
PW15AH* page 230
- *350 Ohm

Specifications

- Full Scale Output:**
2 mV/V
- Output Resistance:**
960 (± 50) ohm
- Input Resistance:**
1100 (± 50) ohm
- Material/Finish:**
Stainless steel
- Temperature:**
Compensated:
14 °F to 104 °F (-10 °C to 40 °C)
Operating:
0 °F to 150 °F (-18 °C to 65 °C)
- Seal Type:**
Hermetically sealed, IP69K
- Safe Overload:**
150% full scale
- Rated Excitation:**
5 to 10 VDC
- Combined Error:**
0.02% full scale
- Insulation Resistance:**
> 5,000 megohm
- Cable Length:**
10 ft
- Cable Color Code:**
Green +Excitation
Black -Excitation
White +Signal
Red -Signal
Blue +Sense
Brown -Sense
Yellow Shield
- Max Platform Size:**
500 × 400 mm
- Warranty:**
One-year limited
- Approvals:**
NTEP 21-016
OIML R60/2017-A-NL1-21.18

**RICE LAKE
LOAD CELLS**